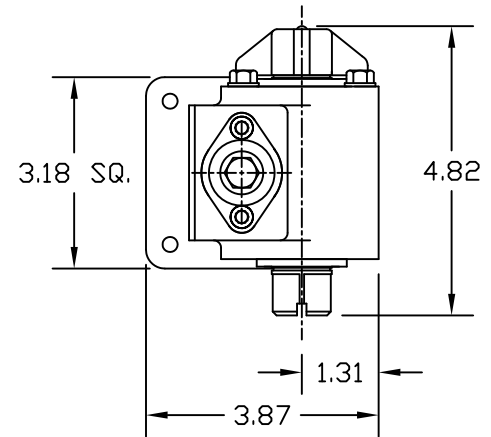
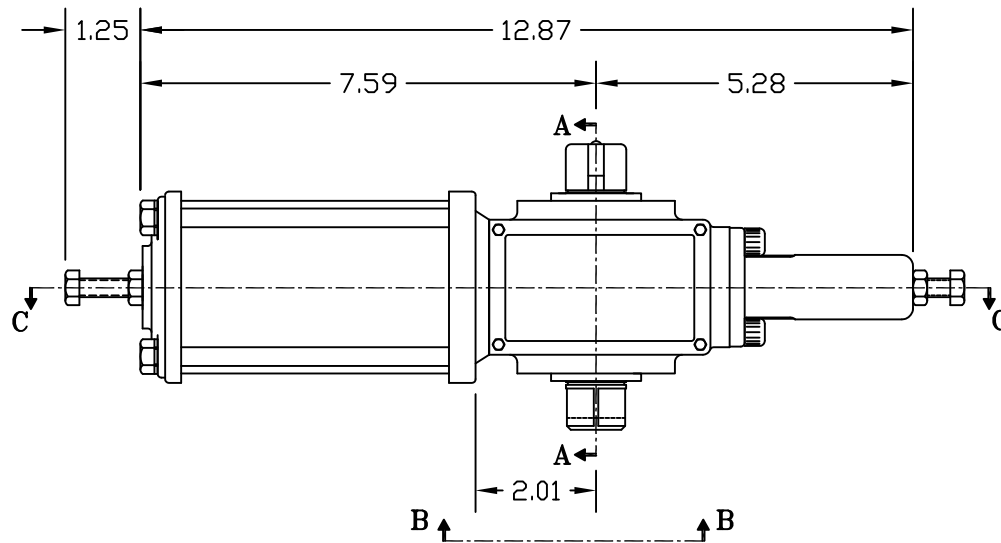


SECTION A-A
 YOKE SHOWN AT MID-STROKE
 ACCESSORIES OMITTED FOR CLARITY



5/16-18 UNC TAP THRU
 (8) PLACES AS SHOWN ON
 2.76 DIA. BOLT CIRCLE

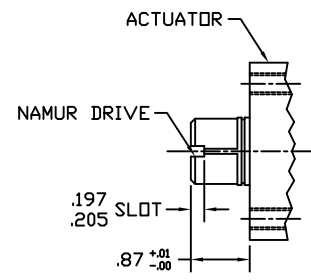
.746 SQUARE
 .743

.157
 .160

0.251^{+0.010}/_{-0.000} C'BORE x 0.209^{+0.010}/_{-0.000} DEEP
 M6 TAP x 1/2" DEEP

VIEW B-B

ISO F07 MOUNTING PATTERN BOTH SIDES
 (SCALE: N.T.S.)



NOTE(S):

1. DUE TO SIZE LIMITATIONS, THIS MODEL REQUIRES THE OPTIONAL NAMUR BRACKET FOR MOUNTING NAMUR ACCESSORIES.

MORIN® Birmingham, AL					
TITLE: MODEL B-006U-D000 ACTUATOR					
DRAWN BY:	DATE:	CHECKER:	DATE:	APPROVAL:	DATE:
BDC	7/27/00				
SCALE:	FULL	REVISION:	B	DRAWING NO.:	
SHEET	1 of 1	DWG. SIZE:	D	S10B501B	

REV	CHANGE	BY	CHK	APR	DATE
B	REVISED VIEW B-B DRAWING	BDC			