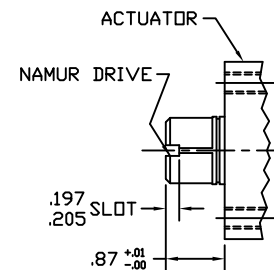
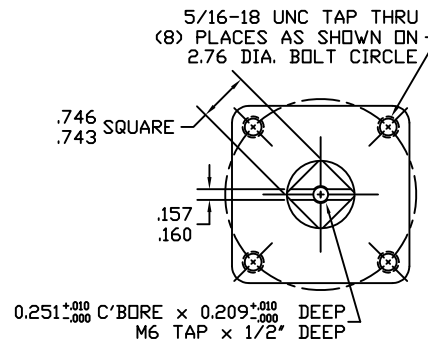


NOTE(S):

1. DUE TO SIZE LIMITATIONS, THIS MODEL REQUIRES THE OPTIONAL NAMUR BRACKET FOR MOUNTING NAMUR ACCESSORIES.



VIEW B-B

ISO F07 MOUNTING PATTERN BOTH SIDES
(SCALE: N.T.S.)

WEIGHT: 13 LBS.

MORIN BIRMINGHAM, AL.					
MODEL B-006U-S000 ACTUATOR					
DRAWN BY <i>AB</i>	DATE 7/28/00	CHECKED BY	DATE	APPROVED BY	DATE
SCALE FULL	REVISION B	DRAWING NO. S10B001B			
SHEET 1 OF 1	DWG. SIZE D				

REV	CHANGE	BY	CHK	APR	DATE
B	REVISED VIEW B-B DRAWING	BDC			