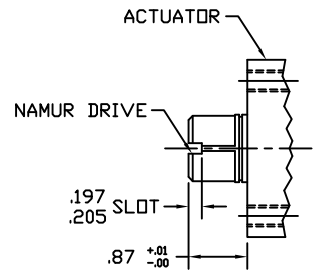
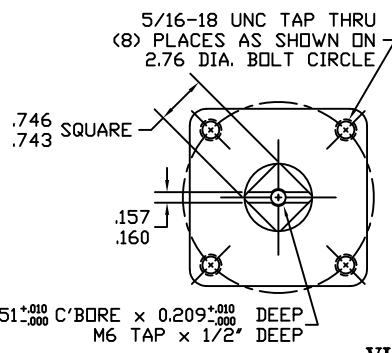
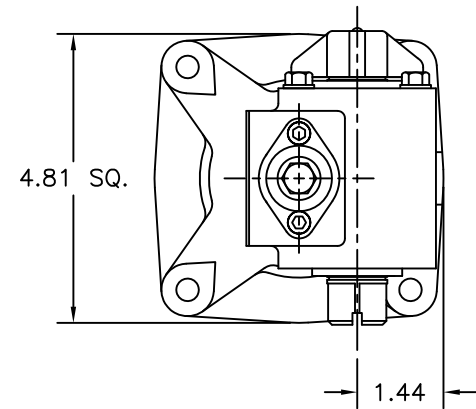
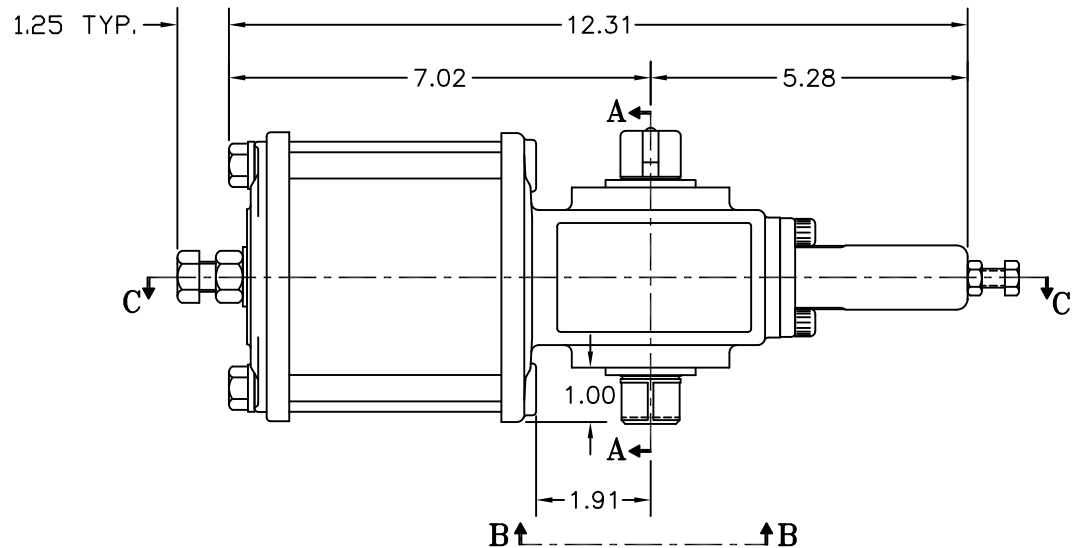


SECTION A-A
YOKE SHOWN AT MID-STROKE
POINTER OMITTED FOR CLARITY



VIEW B-B
ISO F07 MOUNTING PATTERN BOTH SIDES
(SCALE: N.T.S.)

NOTE(S):
1. DUE TO SIZE LIMITATIONS, THIS MODEL REQUIRES THE OPTIONAL NAMUR BRACKET FOR MOUNTING NAMUR ACCESSORIES.

DOUBLE ACTING - ONE PISTON
1,500 IN. LBS.

MORIN BIRMINGHAM, AL.					
MODEL B-015U-D000 ACTUATOR					
DRAWN BY <i>(AB)</i>	DATE 7/27/00	CHECKED BY	DATE	APPROVED BY	DATE
SCALE FULL	REVISION B	DRAWING NO. S10B503B			
SHEET 1 OF 1	DWG. SIZE D				

REV	CHANGE	BY	CHK	APR	DATE
B	REVISED VIEW B-B DRAWING	BDC			