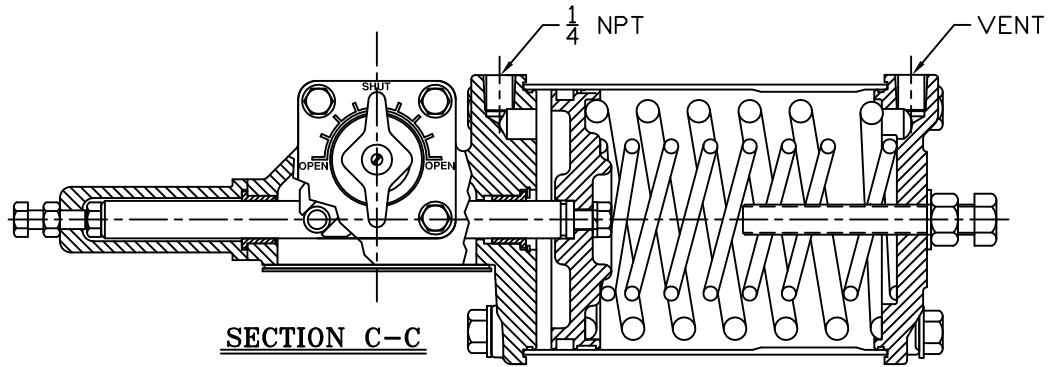
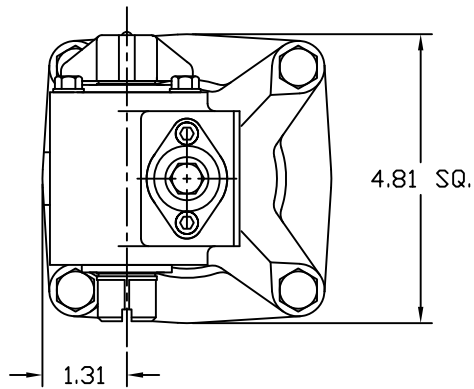
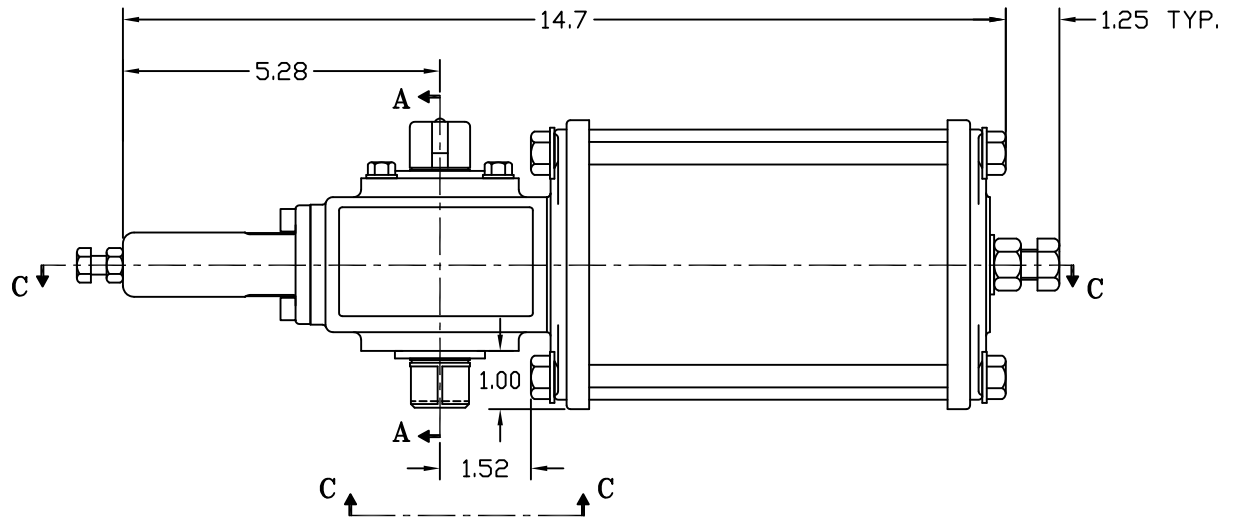


**SECTION A-A**

YOKE SHOWN AT MID-STROKE  
POINTER OMITTED FOR CLARITY

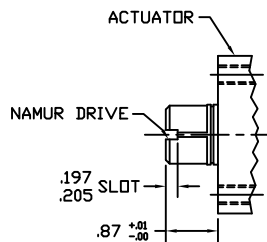
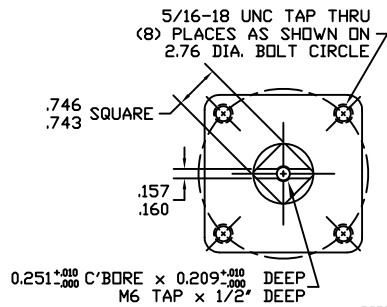


**SECTION C-C**



**NOTE(S):**

1. DUE TO SIZE LIMITATIONS, THIS MODEL REQUIRES THE OPTIONAL NAMUR BRACKET FOR MOUNTING NAMUR ACCESSORIES.



**VIEW B-B**

ISO F07 MOUNTING PATTERN BOTH SIDES  
(SCALE: FULL)

<b>MORIN</b> BIRMINGHAM, AL.					
<b>MODEL B-015U-S000 ACTUATOR</b>					
DRAWN BY <i>(AB)</i>	DATE 7/28/00	CHECKED BY	DATE	APPROVED BY	DATE
SCALE FULL	REVISION C	DRAWING NO. S10B003C			
SHEET 1 OF 1	DWG. SIZE D				

C	UPDATED CYLINDER LENGTH	GJR			2/21/12
B	REVISED VIEW B-B DRAWING	BDC			
REV	CHANGE	BY	CHK	APR	DATE