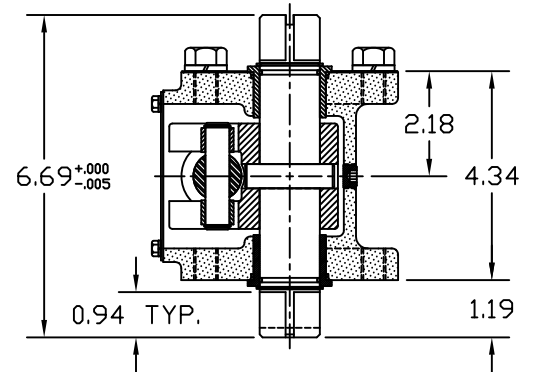
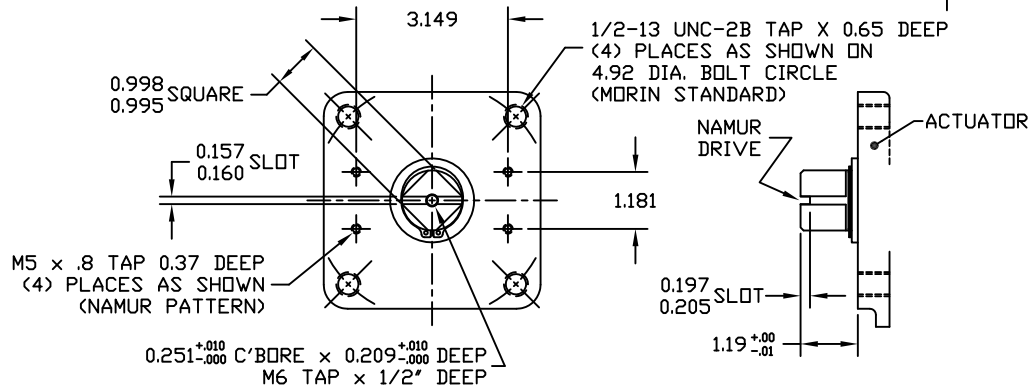
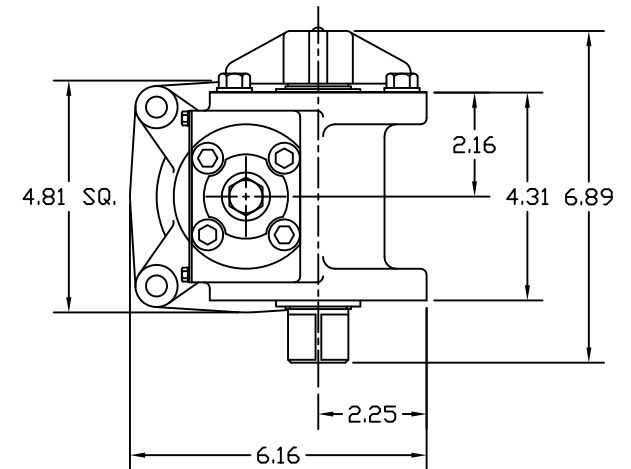
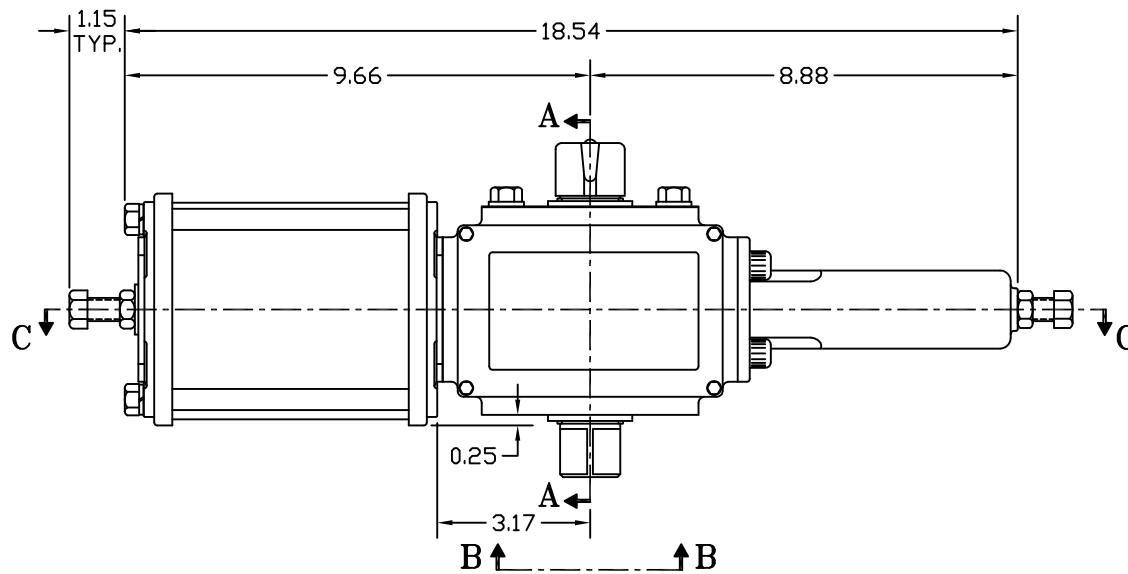


SECTION C-C



SECTION A-A

YOKE SHOWN AT MID-STROKE
POINTER OMITTED FOR CLARITY



VIEW B-B

MODEL 15B MOUNTING PATTERN (F12) BOTH SIDES
(SCALE: 1:1)

F	UPDATED VIEW B-B	CAW		05/07/06
E	UPDATED VIEW B-B & SECTION A-A	CAW		05/02/07
D	UPDATED VIEW B-B	CAW		07/10/06
C	UPDATED CYLINDER LENGTH	CAW		06/12/06
B	NEW EXTENDED FORK YOKE DESIGN	BDC		
REV	CHANGE	BY	CHK	APR DATE

MORIN Birmingham, AL				
TITLE: MODEL B-023U-D000 ACTUATOR				
DRAWN BY:	DATE:	CHECKER:	DATE:	APPROVAL:
BDC	4/17/01			
SCALE:	REVISION:	DRAWING NO.:		
FULL	F			
SHEET	DWG. SIZE:			
1 of 1	E	S15B501F		