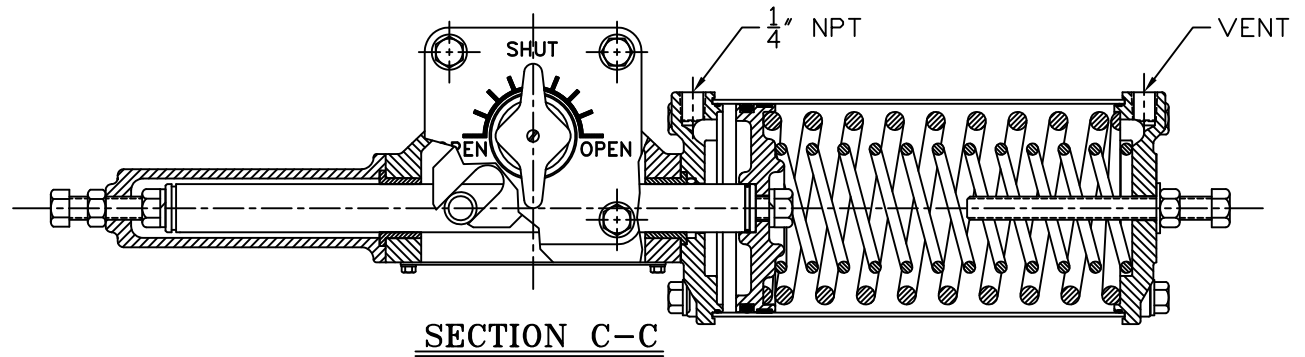
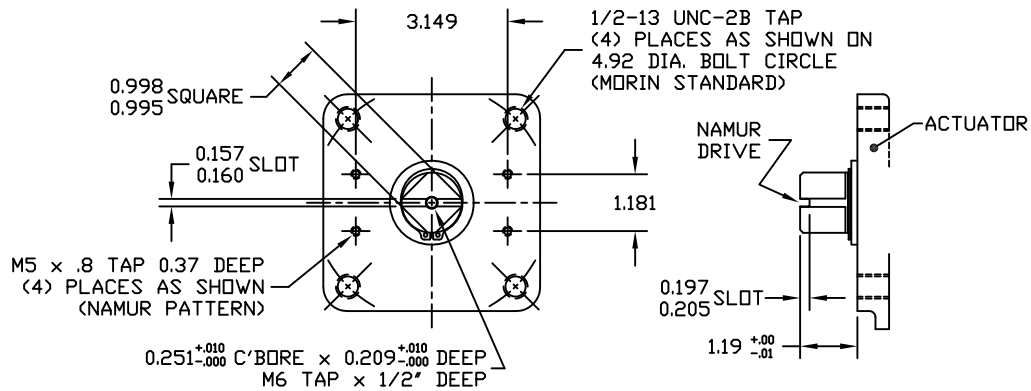
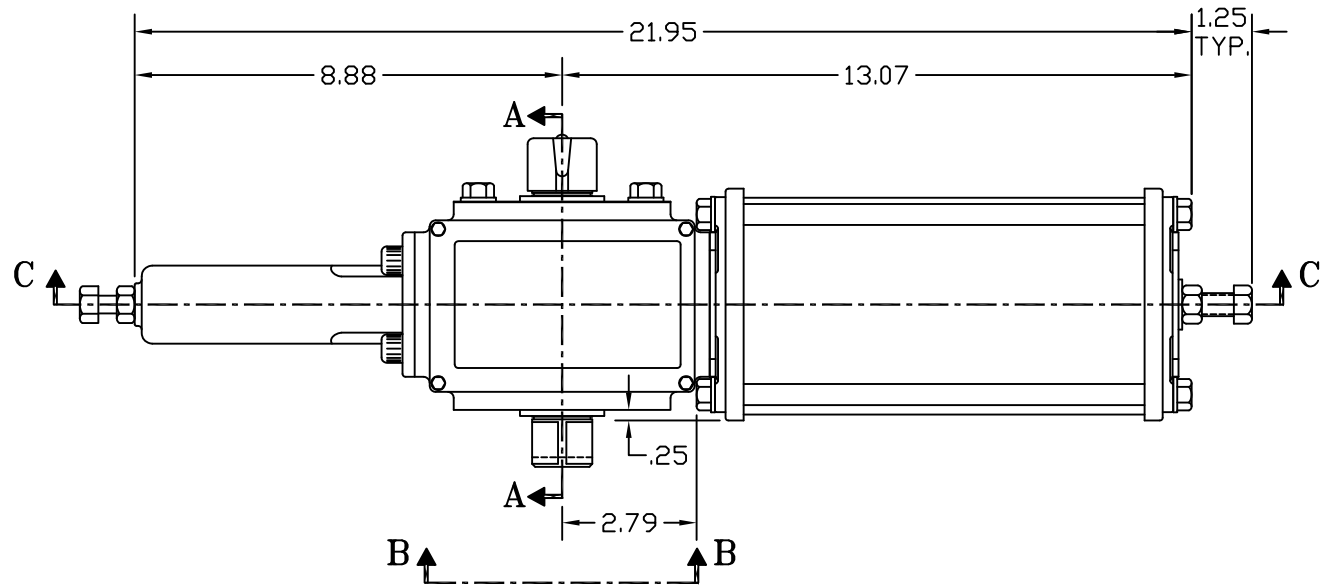
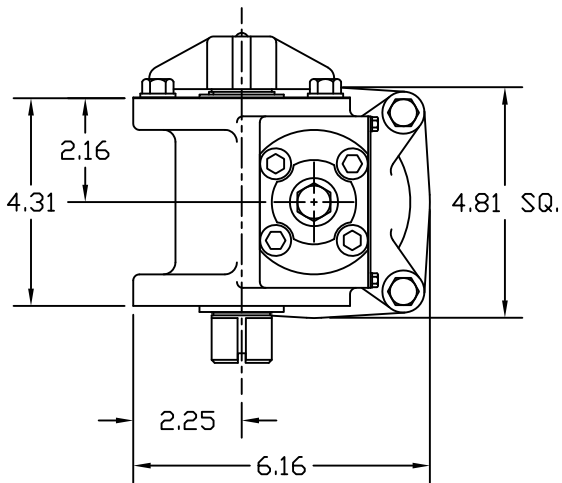


SECTION A-A

YOKE SHOWN AT MID-STROKE
POINTER OMITTED FOR CLARITY



SECTION C-C



VIEW B-B

MODEL 15B MOUNTING PATTERN (F12) BOTH SIDES
(SCALE: 1:1)

MORIN Birmingham, AL			
TITLE: MODEL B-023U-S000 ACTUATOR			
DRAWN BY: BDC	DATE: 8/14/00	CHECKER:	DATE:
APPROVAL:	DATE:	REVISION: E	DRAWING NO.:
SCALE: FULL	SHEET: 1 of 1	DWG. SIZE: E	S15B001E

E	UPDATED VIEW B-B & SECTION A-A	CAW			04/17/07
D	UPDATED VIEW B-B	CAW			07/10/06
C	NEW EXTENDED FORK YOKE DESIGN	BDC			
B	REVISED VIEW B-B DRAWING	BDC			
REV	CHANGE	BY	CHK	APR	DATE