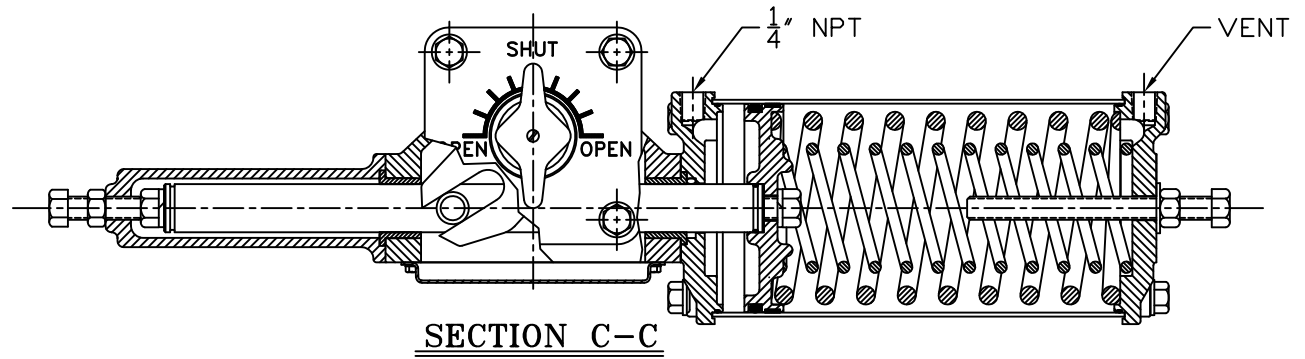
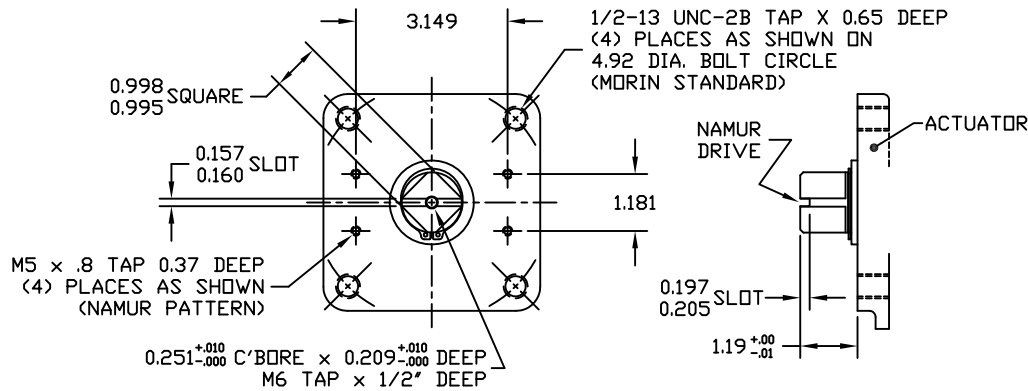
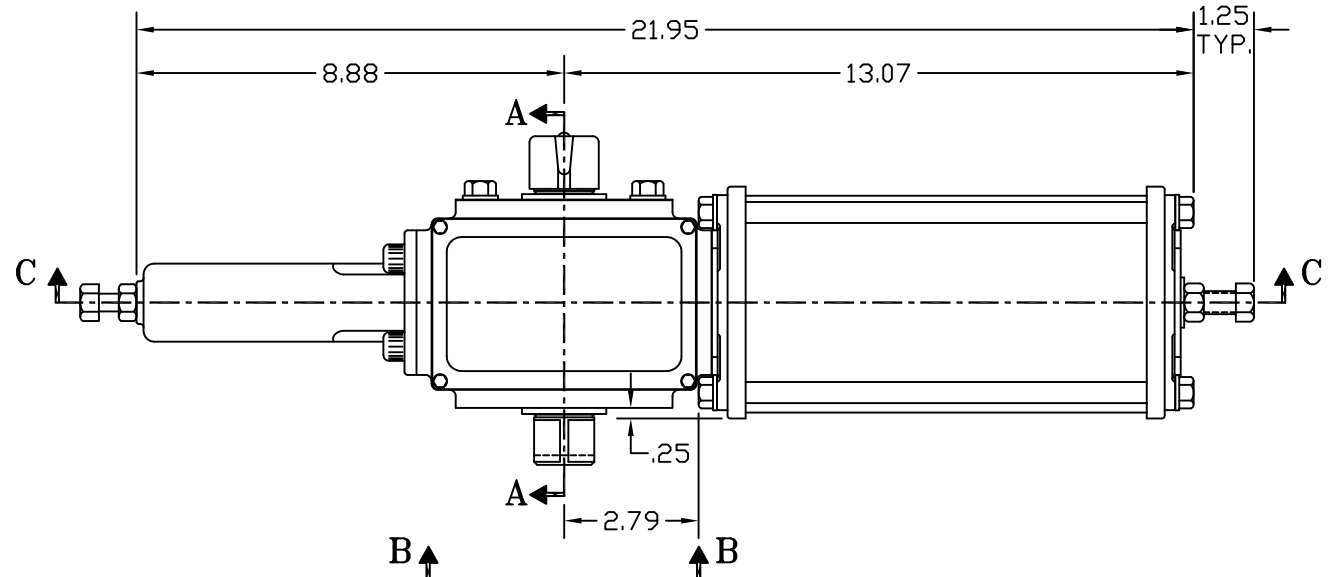
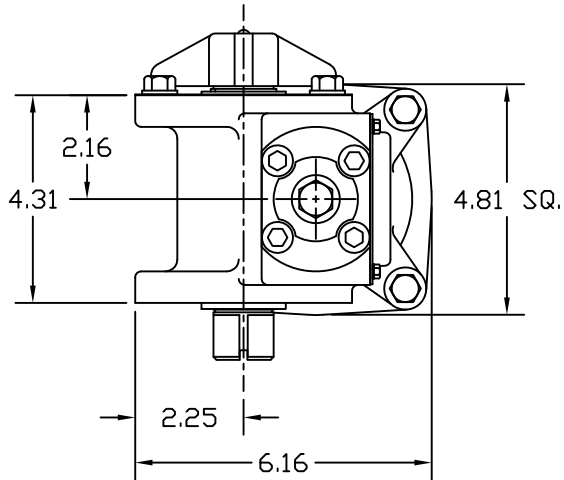


**SECTION A-A**

YOKE SHOWN AT MID-STROKE  
POINTER OMITTED FOR CLARITY



**SECTION C-C**



**VIEW B-B**

MODEL 15B MOUNTING PATTERN (F12) BOTH SIDES  
(SCALE: 1:1)

REV	DESCRIPTION	BY	CHK	APR	DATE
C	UPDATED SECTION A-A & HOUSING COVER TO CHANGED VERSION	CAW			07/20/06
B	UPDATED SECTION A-A & VIEW B-B	CAW			05/07/06
	CHANGE		CHK	APR	

<b>MORIN</b> Birmingham, AL					
TITLE: MODEL B-023UC-S000 ACTUATOR					
DRAWN BY:	DATE:	CHECKER:	DATE:	APPROVAL:	DATE:
CAW	08/18/06				
SCALE:	REVISION:	DRAWING NO.:			
FULL	C	S15B135C			
SHEET	DWG. SIZE:				
1 of 1	E				