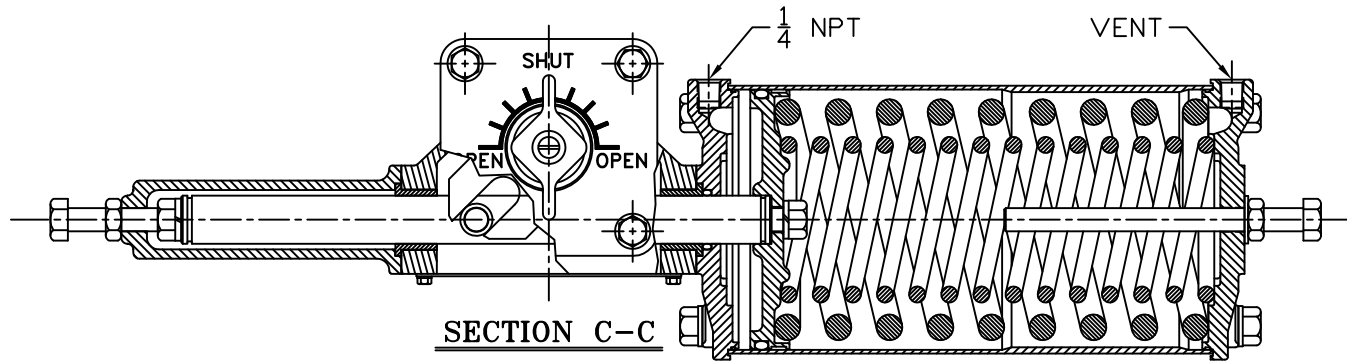
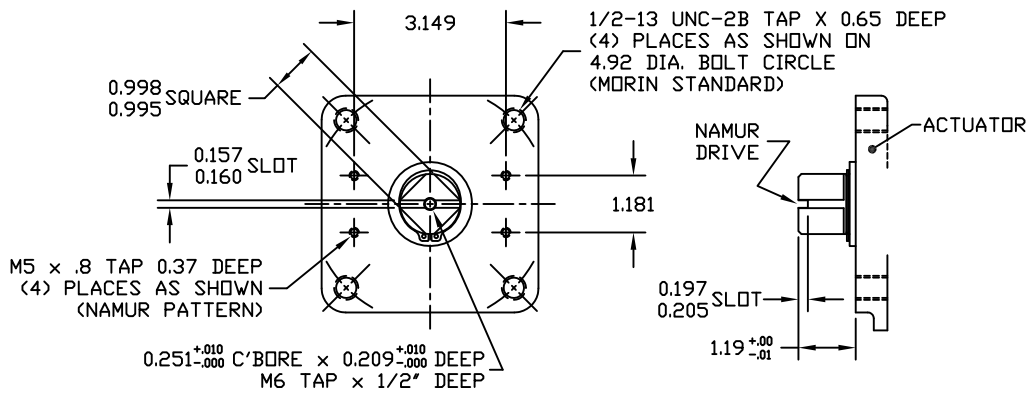
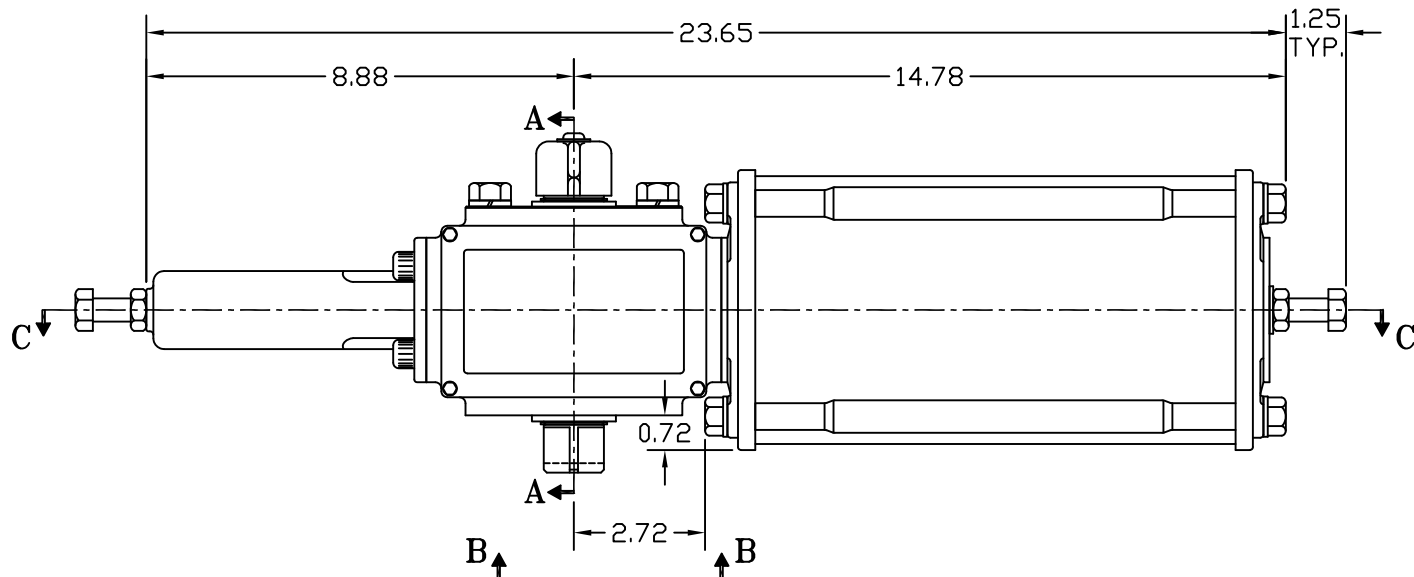
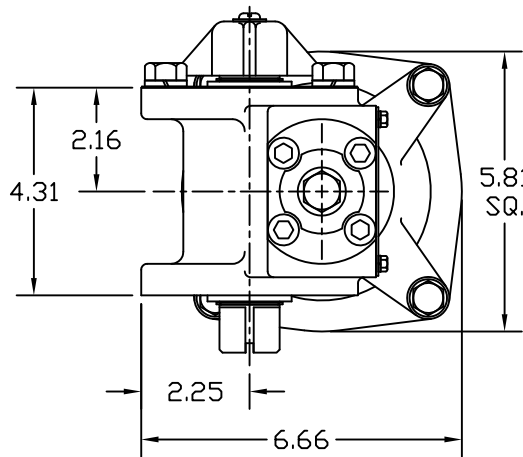


SECTION A-A
YOKE SHOWN AT MID-STROKE
POINTER OMITTED FOR CLARITY



SECTION C-C



VIEW B-B

MODEL 15B MOUNTING PATTERN (F12) BOTH SIDES
(SCALE: 1:1)

F	REVISED VIEW B-B DRAWING	CAW			05/06/00
E	REVISED VIEW B-B DRAWING	CAW			07/10/00
D	REVISED SECTION A-A & VIEW B-B	BDC			
C	NEW EXTENDED FORK YOKE DESIGN	BDC			
B	REVISED VIEW B-B DRAWING	BDC			
REV	CHANGE	BY	CHK	APR	DATE

MORIN Birmingham, AL					
TITLE: MODEL B-036U-S000 ACTUATOR					
DRAWN BY:	DATE:	CHECKER:	DATE:	APPROVAL:	DATE:
BDC	8/14/00				
SCALE:	FULL	REVISION:	F	DRAWING NO.:	
SHEET	DWG. SIZE:	E		S15B002F	
1 of 1					