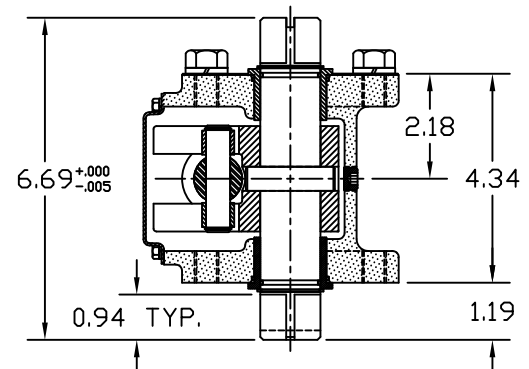
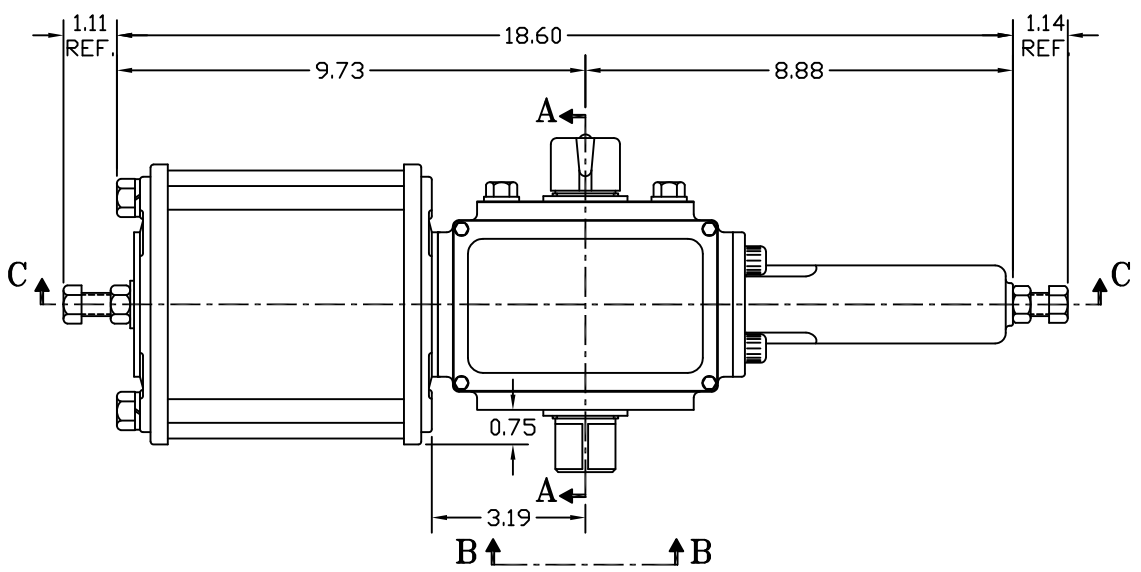


SECTION C-C

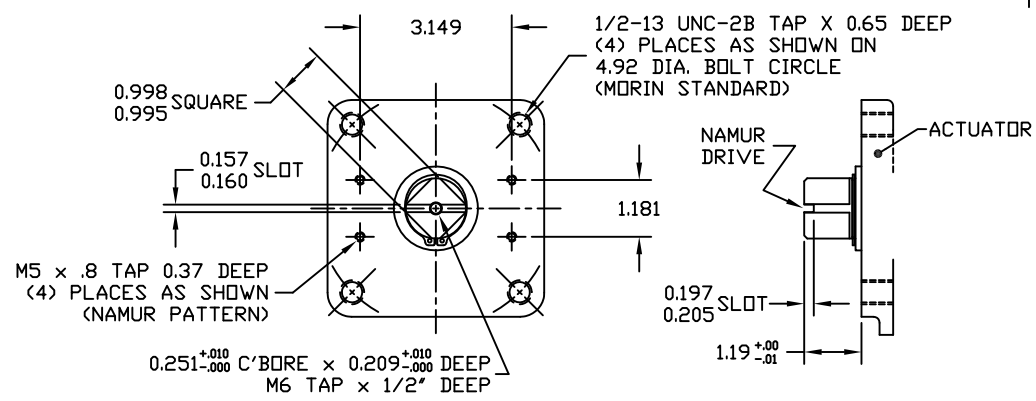
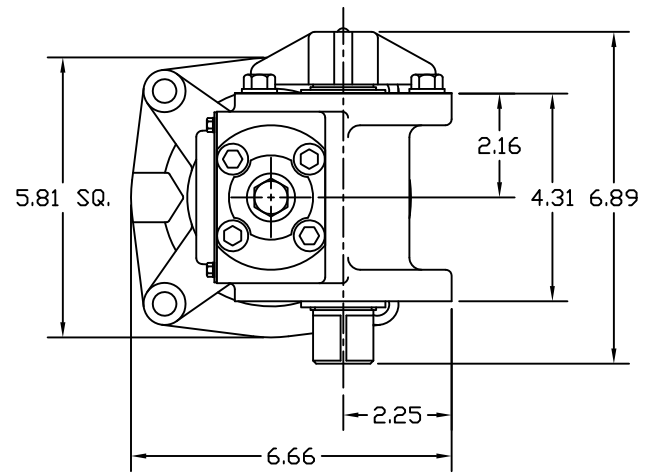


SECTION A-A

YOKE SHOWN AT MID-STROKE
POINTER OMITTED FOR CLARITY



VIEW B-B



MODEL 15B MOUNTING PATTERN (F12) BOTH SIDES
(SCALE: 1:1)

MORIN Birmingham, AL			
TITLE: MODEL B-036UC-D000 ACTUATOR			
DRAWN BY: CAW	DATE: 08/18/06	CHECKER:	DATE:
APPROVAL:	DATE:		
SCALE: FULL	REVISION: C	DRAWING NO.:	
SHEET 1 of 1	DWG. SIZE: E	S15B566C	

REV	DESCRIPTION	BY	CHK	APR	DATE
C	UPDATED SECTION A-A & HOUSING COVER TO CANTED	CAW			08/18/06
B	UPDATED SECTION A-A & VIEW B-B	CAW			06/07/06
	CHANGE				