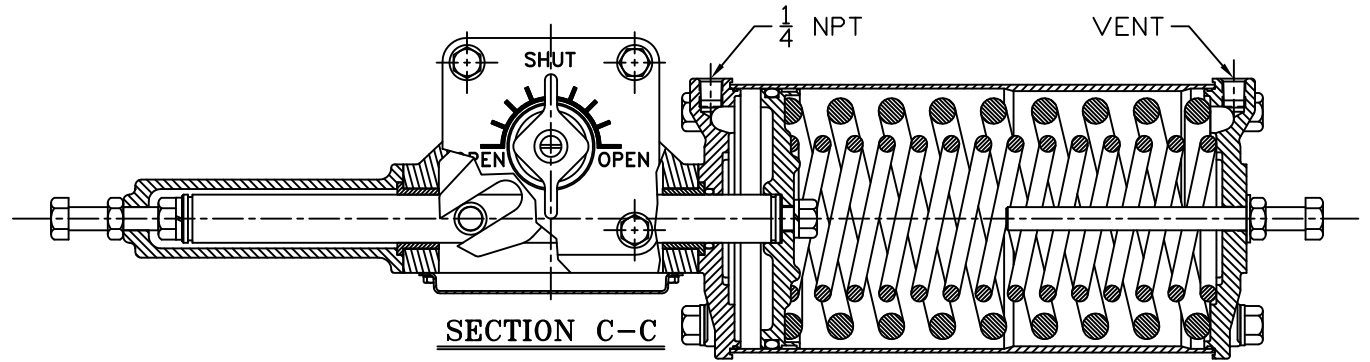
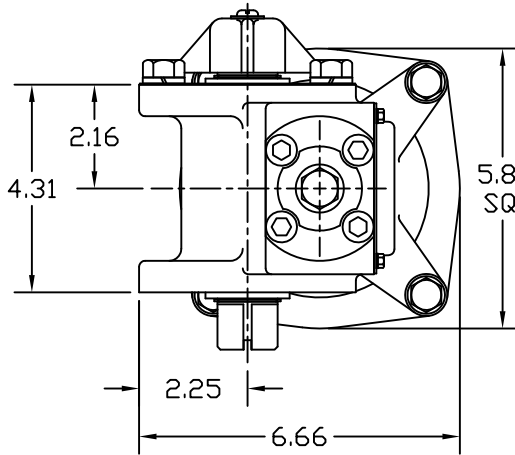
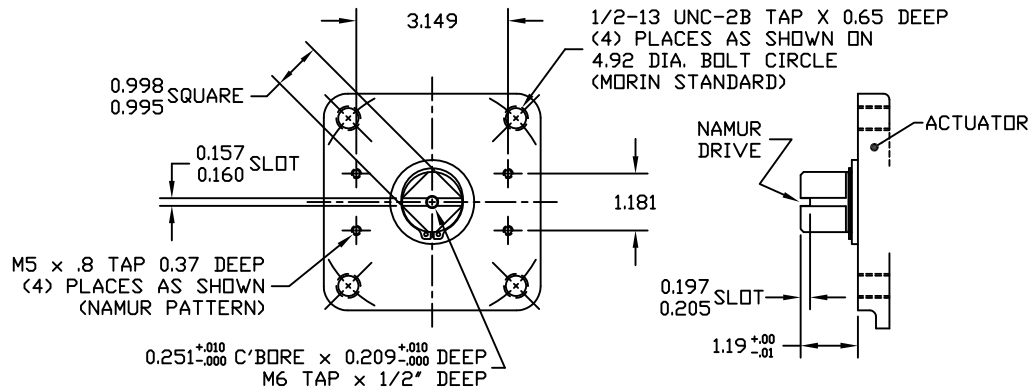
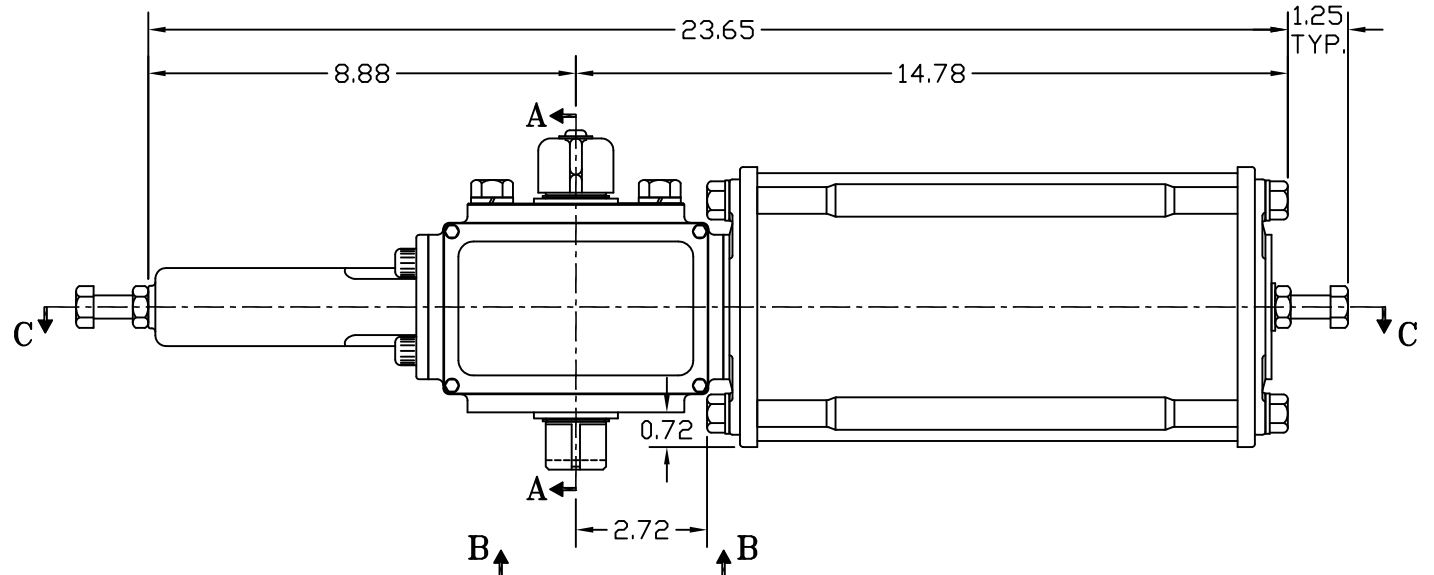


SECTION A-A
 YOKE SHOWN AT MID-STROKE
 POINTER OMITTED FOR CLARITY



SECTION C-C



VIEW B-B

MODEL 15B MOUNTING PATTERN (F12) BOTH SIDES
 (SCALE: 1:1)

REV	DESCRIPTION	BY	CHK	APR	DATE
C	UPDATED SECTION A-A & HOUSING COVER TO CANTED	CAW			07/21/06
B	UPDATED VIEW B-B	CAW			05/07/06
	CHANGE		CHK	APR	

MORIN Birmingham, AL					
TITLE: MODEL B-036UC-S000 ACTUATOR					
DRAWN BY:	DATE:	CHECKER:	DATE:	APPROVAL:	DATE:
CAW	08/18/06				
SCALE:	FULL	REVISION:	C	DRAWING NO.:	
SHEET	1 of 1	DWG. SIZE:	E		S15B136C