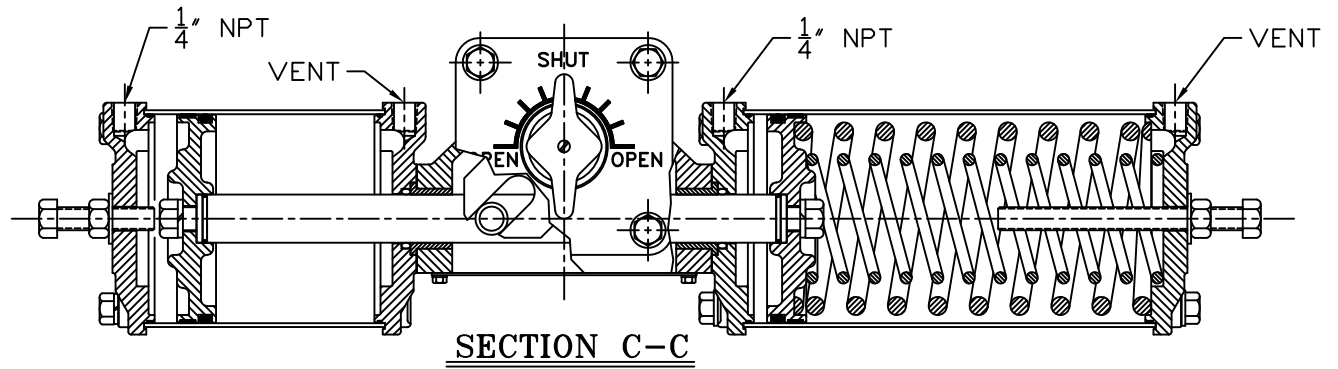
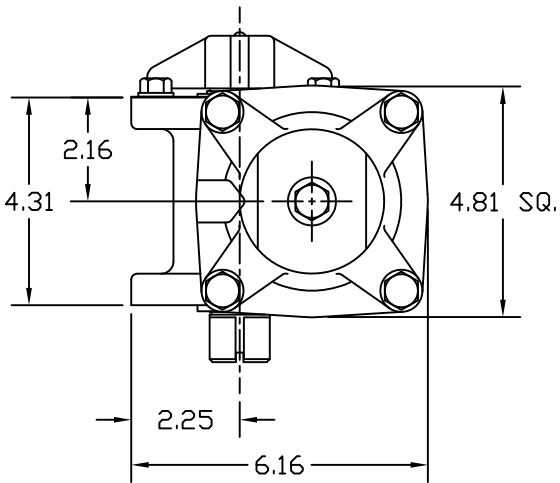
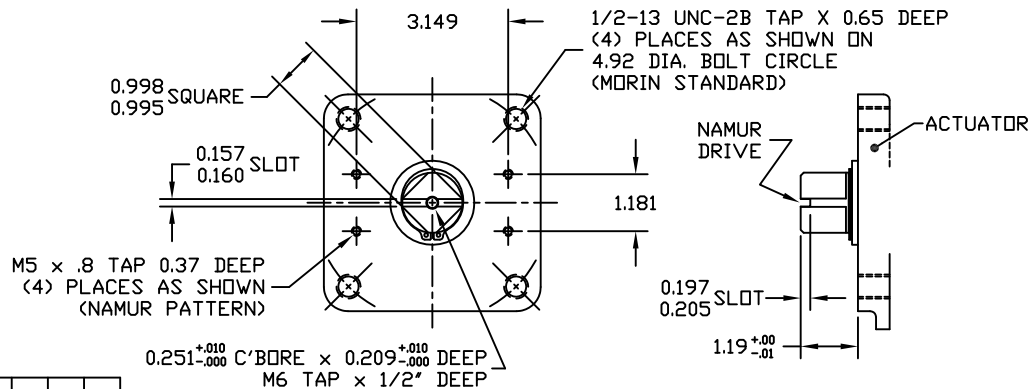
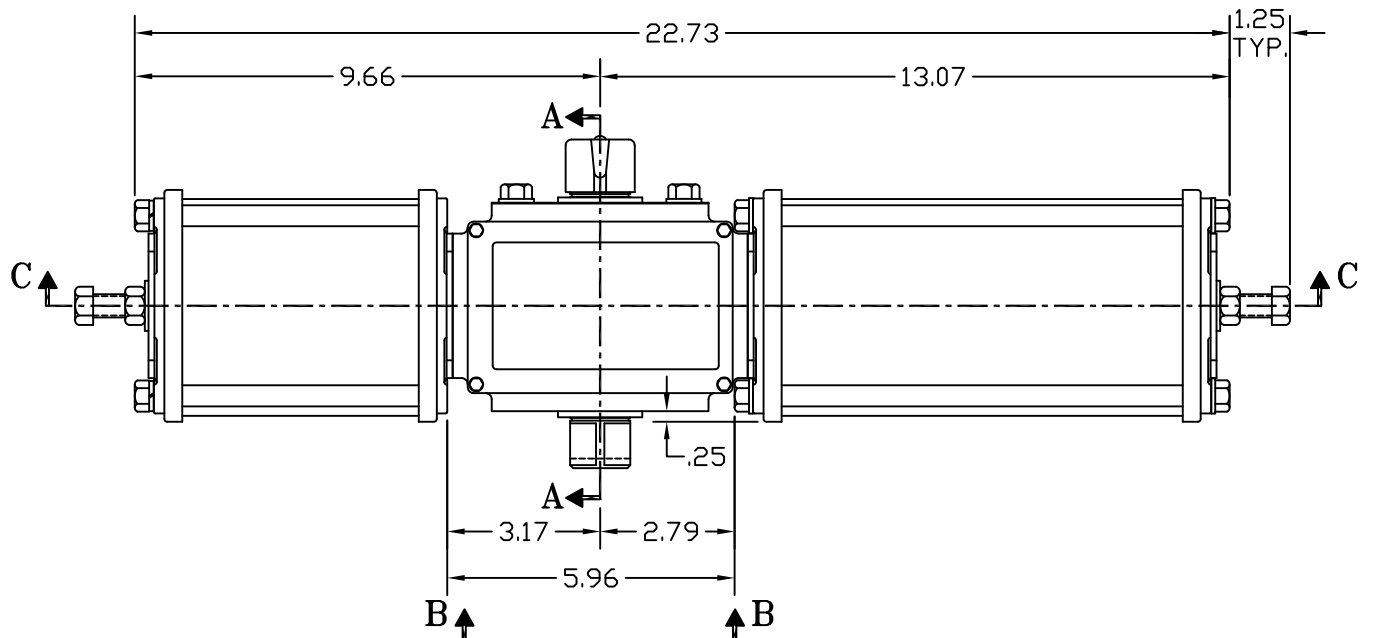


**SECTION A-A**  
YOKE SHOWN AT MID-STROKE  
POINTER OMITTED FOR CLARITY



**SECTION C-C**



**VIEW B-B**

MODEL 15B MOUNTING PATTERN (F12) BOTH SIDES  
(SCALE: 1:1)

REV	CHANGE	BY	CHK	APR	DATE
F	UPDATED VIEW B-B & SECTION A-A	CAW			01/23/07
E	UPDATED VIEW B-B	CAW			07/20/06
D	UPDATED CYLINDER LENGTH	CAW			2/10/06
C	NEW EXTENDED FORK YOKE DESIGN	BDC			
B	REVISED VIEW B-B DRAWING	BDC			

<b>MORIN®</b> Birmingham, AL					
TITLE: MODEL B-046U-S000 ACTUATOR					
DRAWN BY:	DATE:	CHECKER:	DATE:	APPROVAL:	DATE:
BDC	8/14/00				
SCALE:	FULL	REVISION:	F	DRAWING NO.:	
SHEET	DWG. SIZE:	E		S15B003F	
1 of 1					