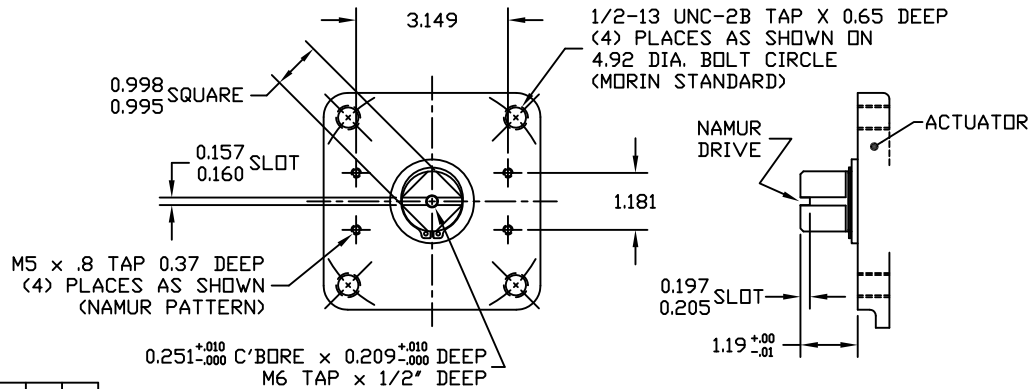
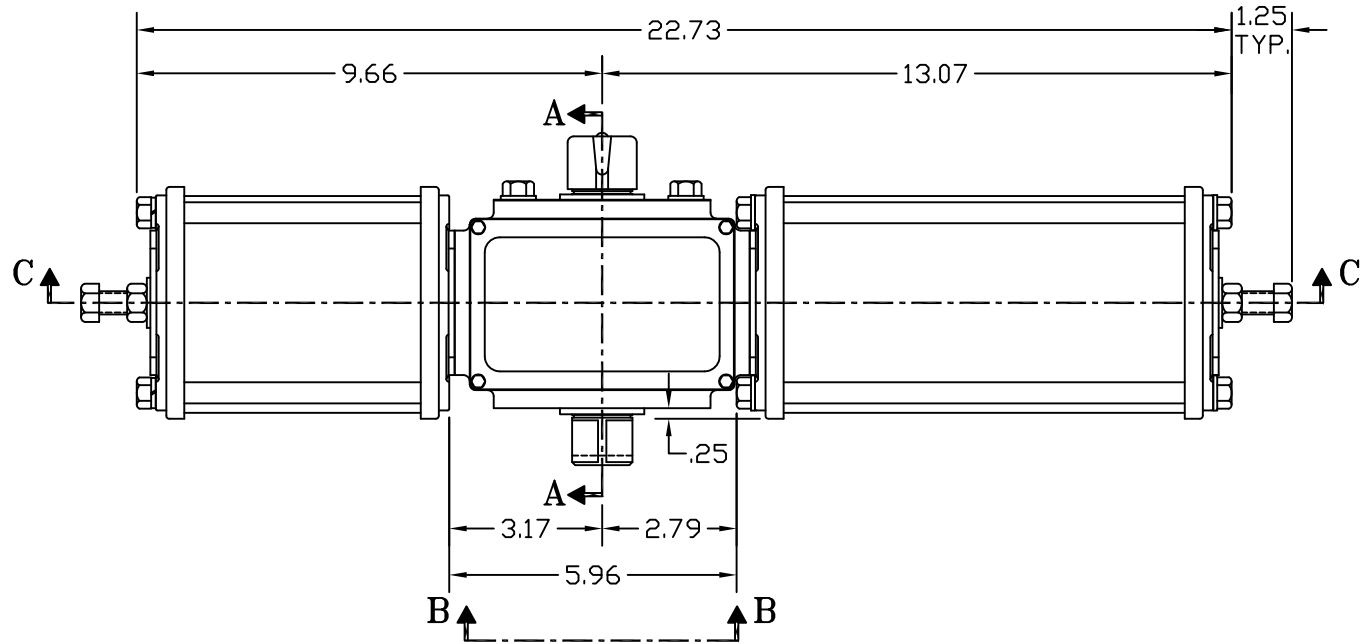
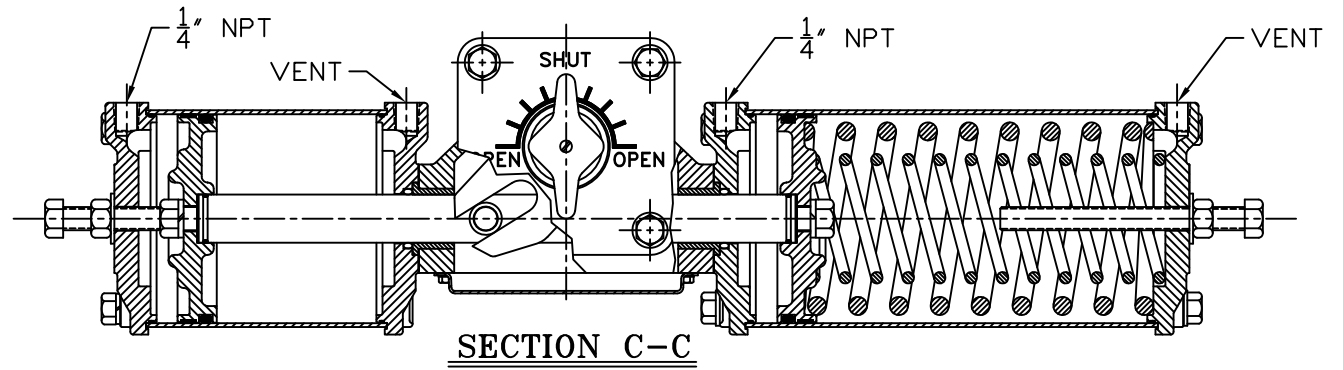
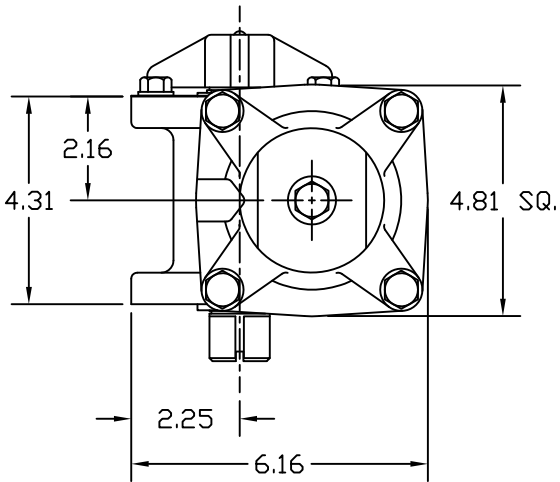


SECTION A-A
YOKE SHOWN AT MID-STROKE
POINTER OMITTED FOR CLARITY



VIEW B-B

MODEL 15B MOUNTING PATTERN (F12) BOTH SIDES
(SCALE: 1:1)

REV	DESCRIPTION	BY	CHK	APR	DATE
C	UPDATED SECTION A-A & HOUSING COVER TO CANTED	CAW			07/31/06
B	UPDATED SECTION A-A & VIEW B-B	CAW			06/08/06
	CHANGE		CHK	APR	

MORIN Birmingham, AL					
TITLE: MODEL B-046UC-S000 ACTUATOR					
DRAWN BY:	DATE:	CHECKER:	DATE:	APPROVAL:	DATE:
CAW	08/18/06				
SCALE:	REVISION:	DRAWING NO.:			
FULL	C	S15B137C			
SHEET	DWG. SIZE:				
1 of 1	E				