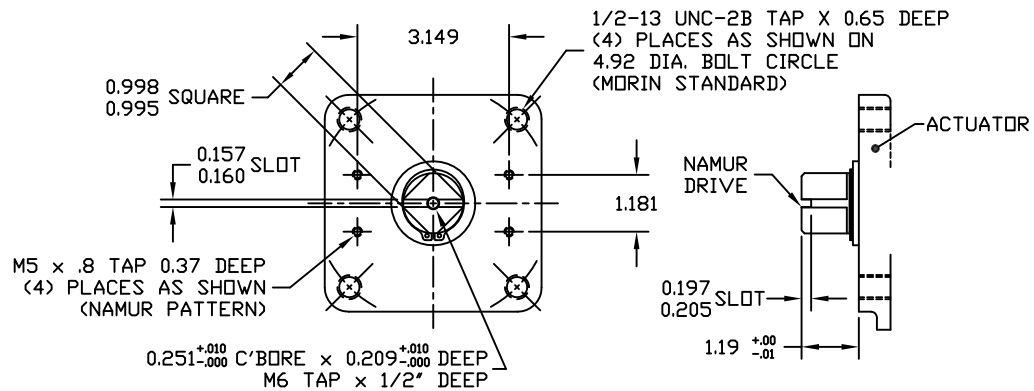
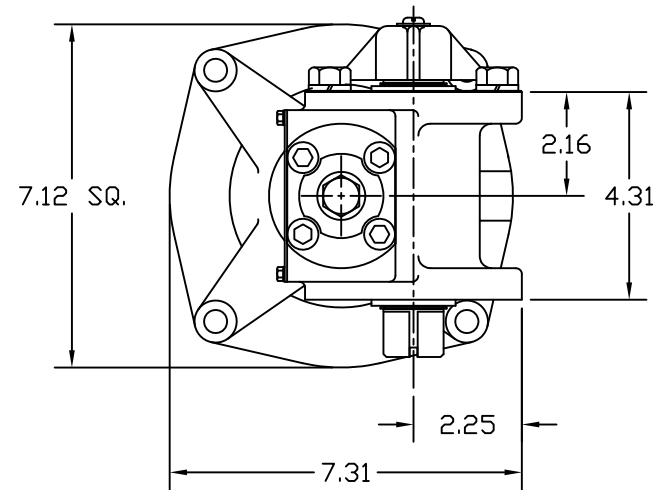
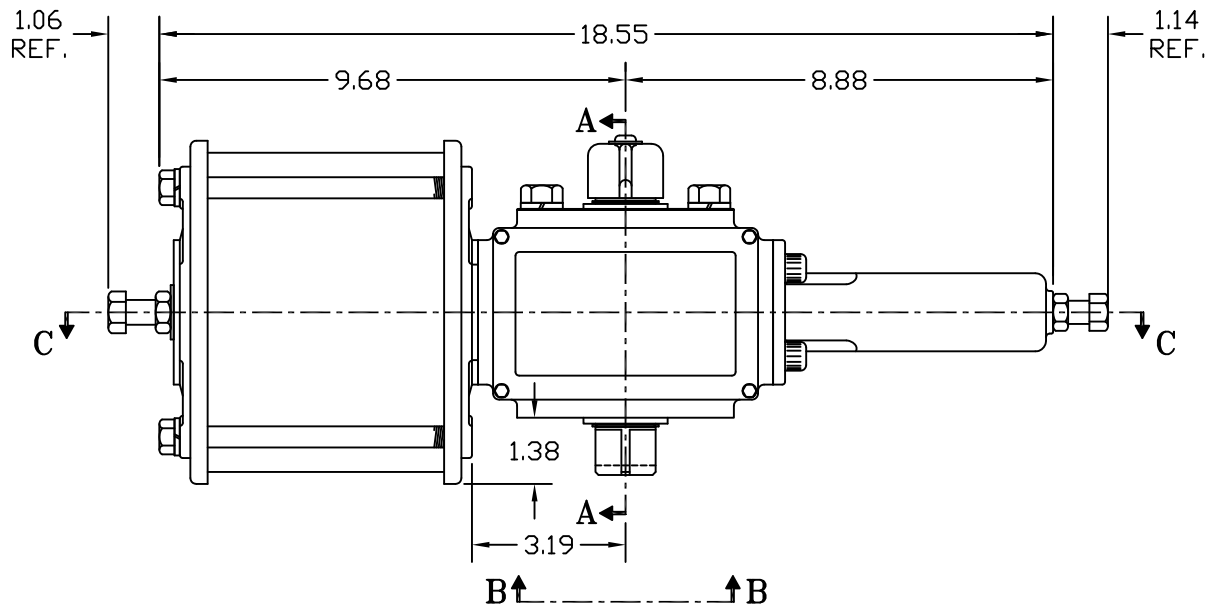


SECTION A-A
YOKE SHOWN AT MID-STROKE
POINTER OMITTED FOR CLARITY



VIEW B-B

MODEL 15B MOUNTING PATTERN (F12) BOTH SIDES
(SCALE: 1:1)

F	UPDATED VIEW B-B	CAW		05/07/06
E	UPDATED VIEW B-B	CAW		07/10/06
D	UPDATED CYLINDER LENGTH	CAW		06/13/06
C	REVISED SECTION A-A & VIEW B-B	BDC		
B	NEW EXTENDED FORK YOKE DESIGN	BDC		
REV	CHANGE	BY	CHK	APR DATE

MORIN Birmingham, AL				
TITLE: MODEL B-050U-D000 ACTUATOR				
DRAWN BY:	DATE:	CHECKER:	DATE:	APPROVAL:
BDC	12/29/00			
SCALE:	REVISION:	F	DRAWING NO.:	
FULL				
SHEET	DWG. SIZE:	E	S15B504F	
1 of 1				