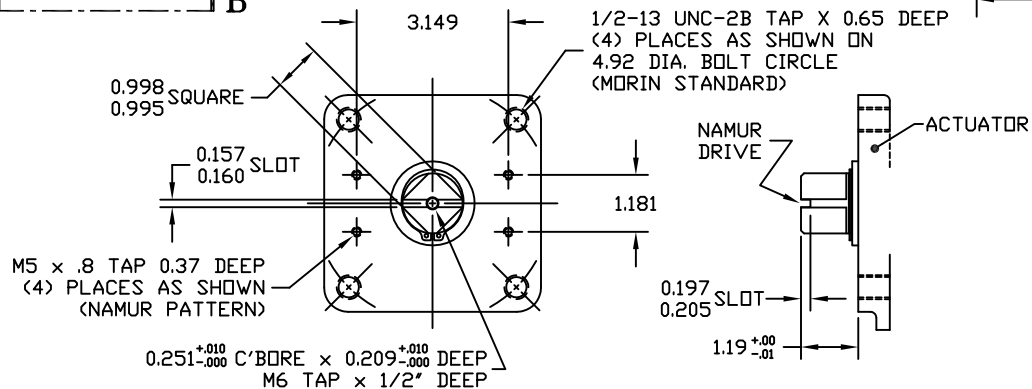
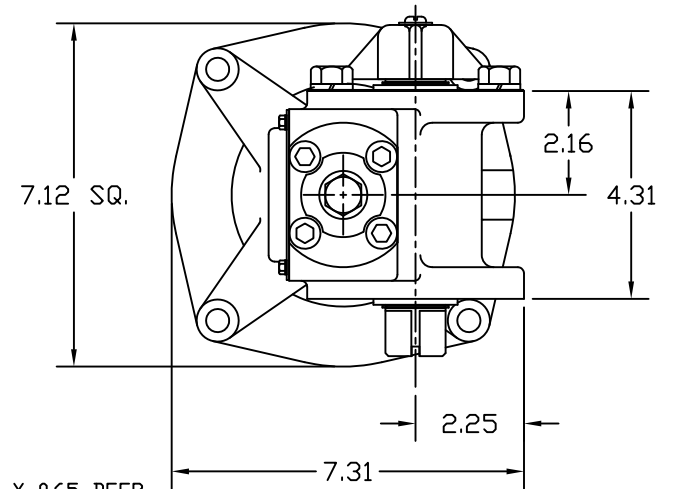
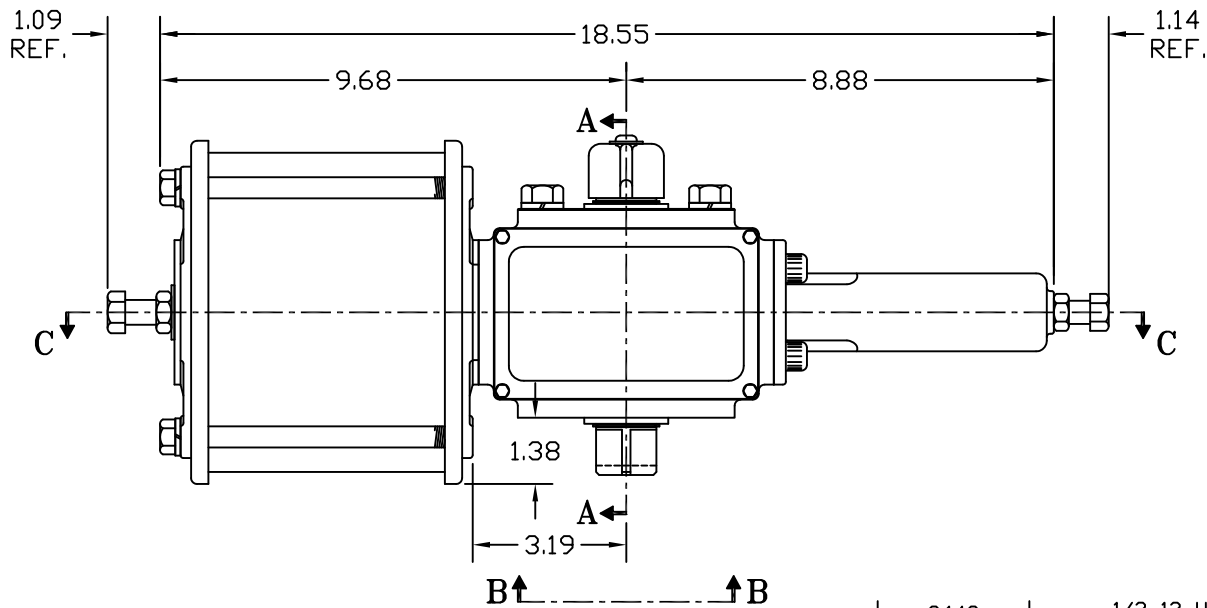


SECTION A-A
 YOKE SHOWN AT MID-STROKE
 POINTER OMITTED FOR CLARITY



VIEW B-B

MODEL 15B MOUNTING PATTERN (F12) BOTH SIDES
 (SCALE: 1:1)

MORIN Birmingham, AL					
TITLE: MODEL B-050UC-D000 ACTUATOR					
DRAWN BY:	DATE:	CHECKER:	DATE:	APPROVAL:	DATE:
CAW	08/18/06				
SCALE:	REVISION:	DRAWING NO.:			
FULL	C				
SHEET	DWG. SIZE:				
1 of 1	E			S15B567C	

REV	DESCRIPTION	BY	CHK	APR	DATE
C	UPDATED SECTION A-A & HOUSING COVER TO CANTED	CAW			08/18/06
B	UPDATED VIEW B-B	CAW			05/07/06
	CHANGE	BY	CHK	APR	DATE