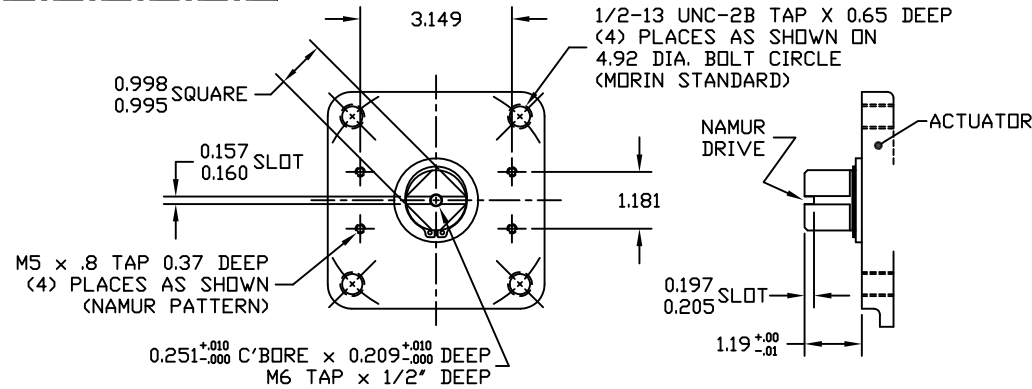
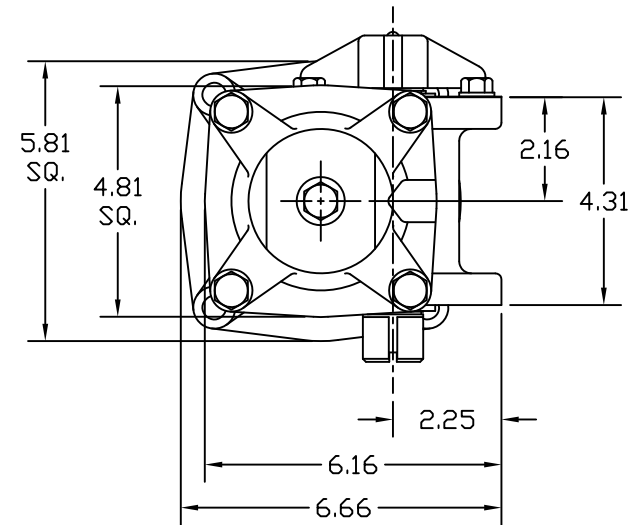
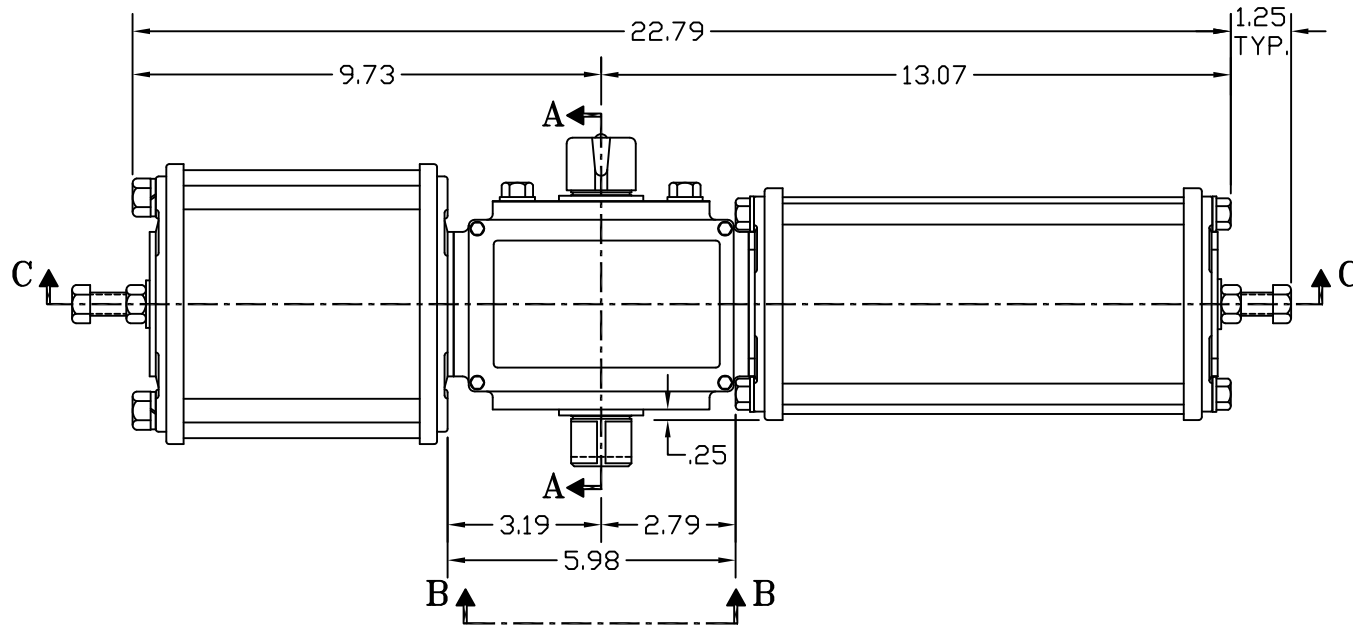


**SECTION A-A**  
 YOKE SHOWN AT MID-STROKE  
 POINTER OMITTED FOR CLARITY



**VIEW B-B**

MODEL 15B MOUNTING PATTERN (F12) BOTH SIDES  
 (SCALE: 1:1)

<b>MORIN</b> Birmingham, AL			
TITLE: MODEL B-058U-S000 ACTUATOR			
DRAWN BY:	DATE:	CHECKER:	DATE:
BDC	12/3/01		
SCALE:	REVISION:	DRAWING NO.:	
FULL	E		
SHEET	DWG. SIZE:		
1 of 1	E	S15B008E	

E	UPDATED VIEW B-B & SECTION A-A	CAW		01/19/07
D	UPDATED VIEW B-B	CAW		07/20/06
C	UPDATED CYLINDER LENGTH	CAW		2/10/06
B	NEW EXTENDED FORK YOKE DESIGN	BDC		
REV	CHANGE	BY	CHK	APR DATE