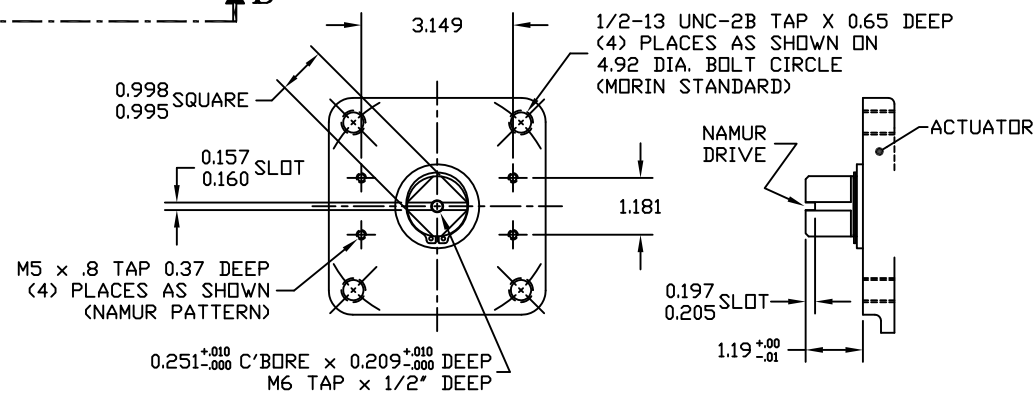
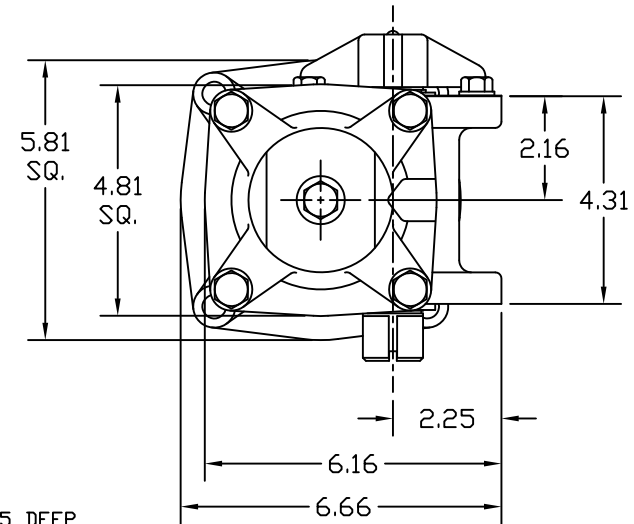
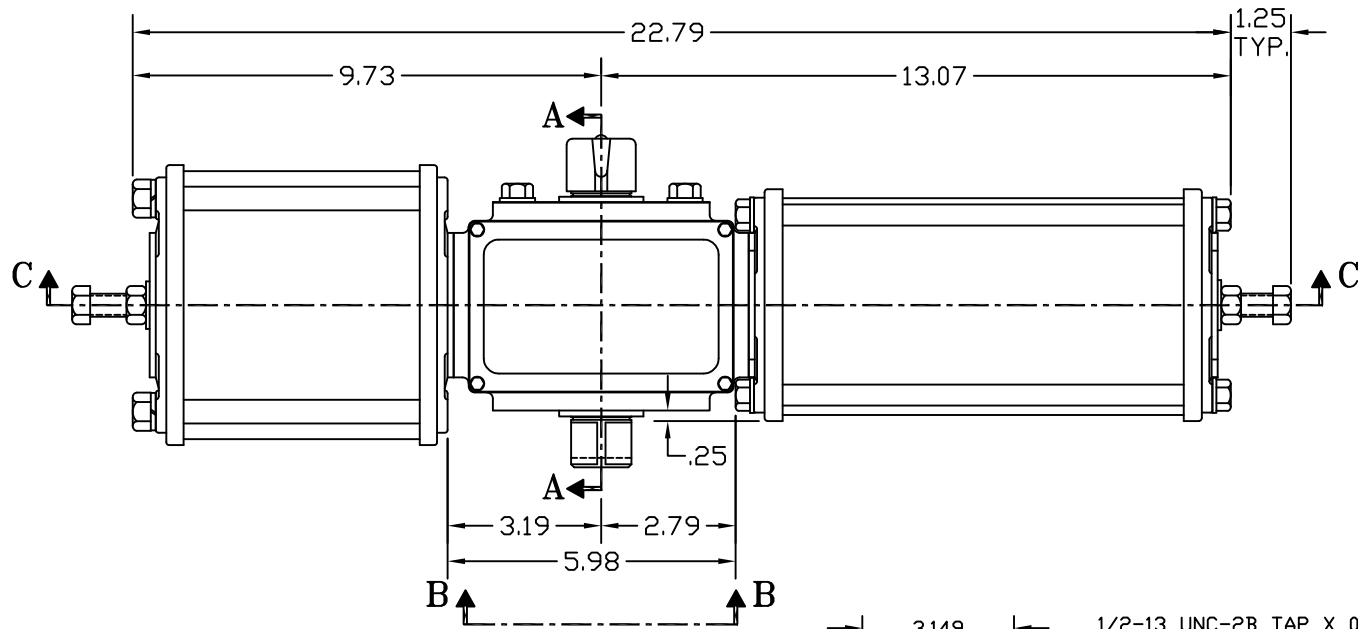


**SECTION A-A**  
 YOKE SHOWN AT MID-STROKE  
 POINTER OMITTED FOR CLARITY



**VIEW B-B**

MODEL 15B MOUNTING PATTERN (F12) BOTH SIDES  
 (SCALE: 1:1)

REV	DESCRIPTION	BY	CHK	APR	DATE
C	UPDATED SECTION A-A & HOUSING COVER TO CANTED	CAW			07/31/06
B	UPDATED SECTION A-A & VIEW B-B	CAW			05/07/06
	CHANGE				

**MORIN**  
 Birmingham, AL

TITLE: MODEL B-058UC-S000 ACTUATOR

DRAWN BY: CAW | DATE: 08/18/06 | CHECKER: | DATE: | APPROVAL: | DATE: |

SCALE: FULL | REVISION: C | DRAWING NO.: S15B140C

SHEET 1 of 1 | DWG. SIZE: E