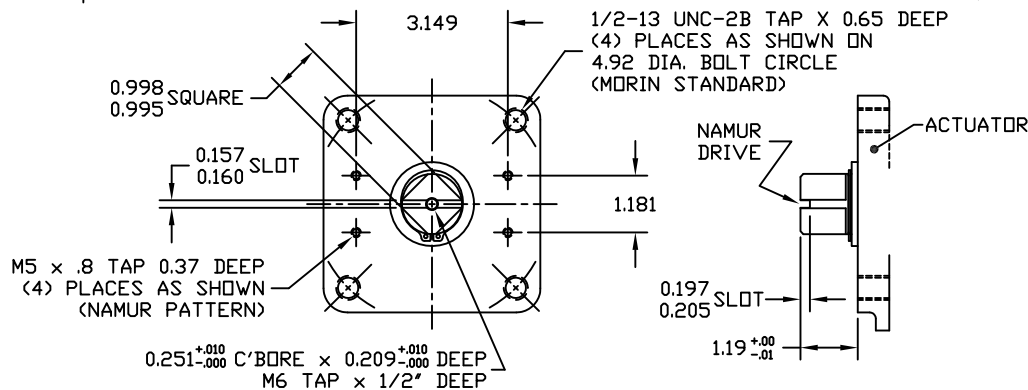
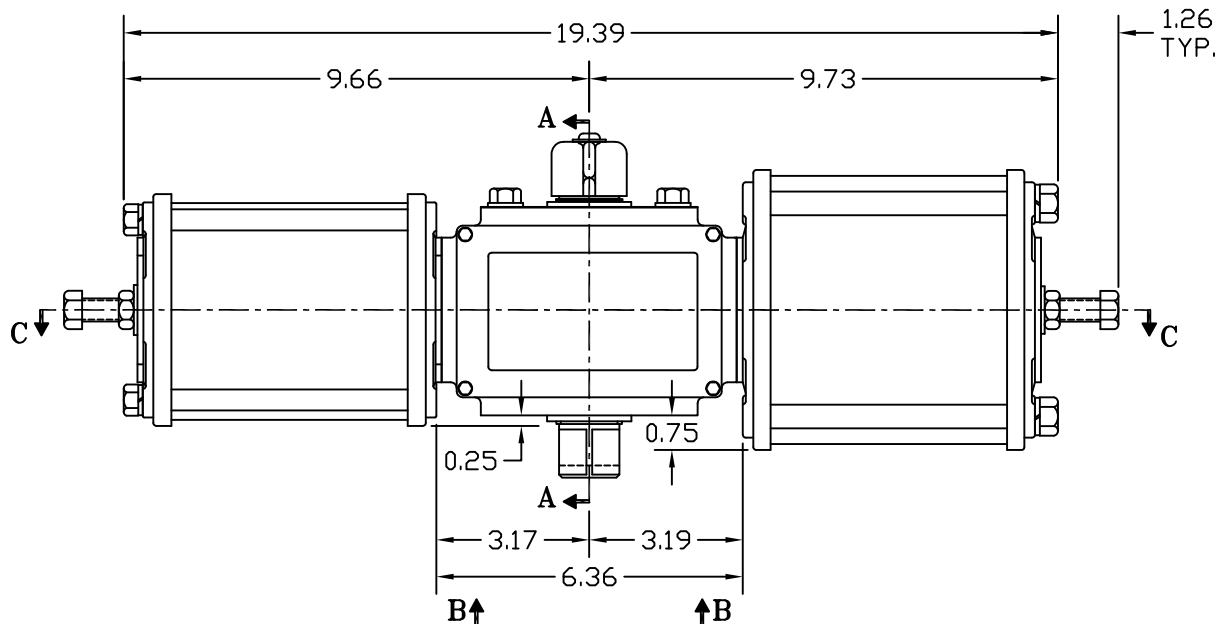
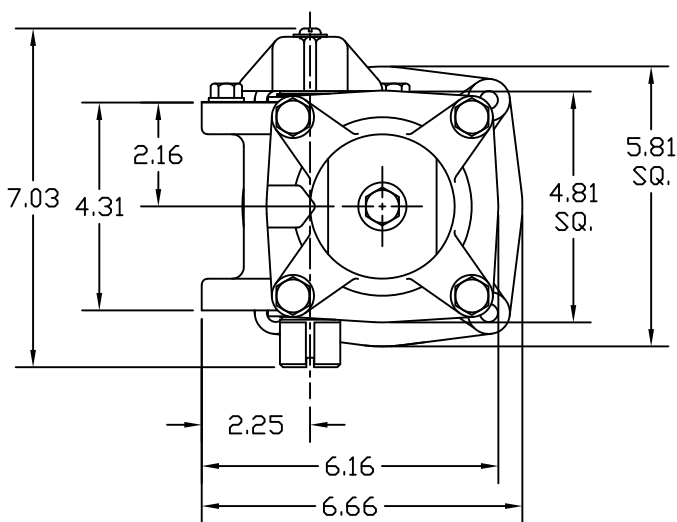
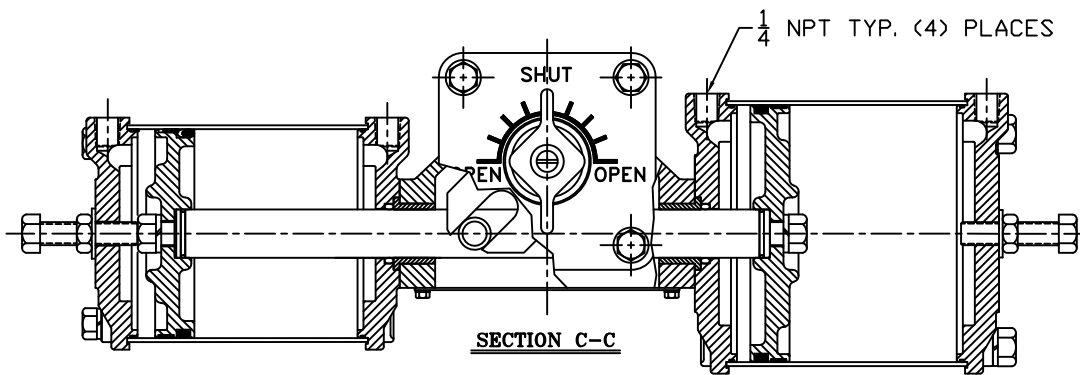


SECTION A-A

YOKE SHOWN AT MID-STROKE
POINTER OMITTED FOR CLARITY



VIEW B-B

MODEL 15B MOUNTING PATTERN (F12) BOTH SIDES
(SCALE: 1:1)

E	UPDATED VIEW B-B	CAW		01/02/00
D	UPDATED VIEW B-B	CAW		07/10/06
C	REVISED CYLINDER LENGTH TO CANTED	JLC		
B	EXTENDED FORK YOKE DESIGN	BDC		
REV	CHANGE	BY	CHK	APR DATE

MORIN Birmingham, AL				
TITLE: MODEL B-059U-D000 ACTUATOR				
DRAWN BY:	DATE:	CHECKER:	DATE:	APPROVAL:
BDC	12/3/01			
SCALE:	FULL	REVISION:	E	DRAWING NO.:
SHEET	1 OF 1	DWG. SIZE:	E	S15B508E