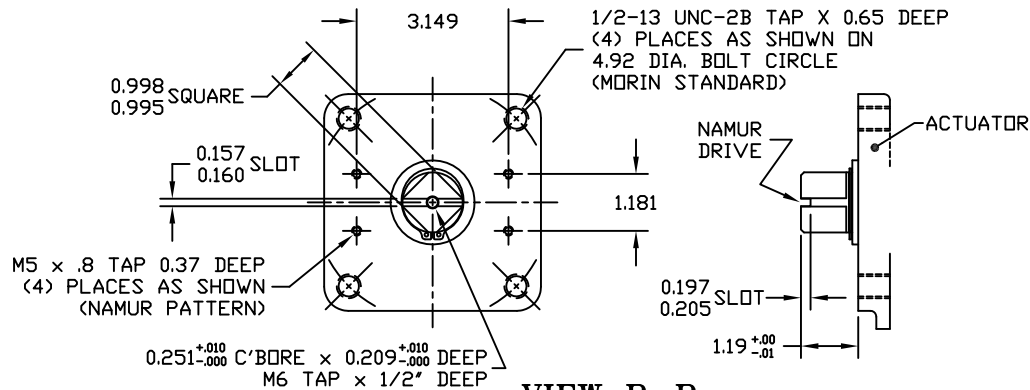
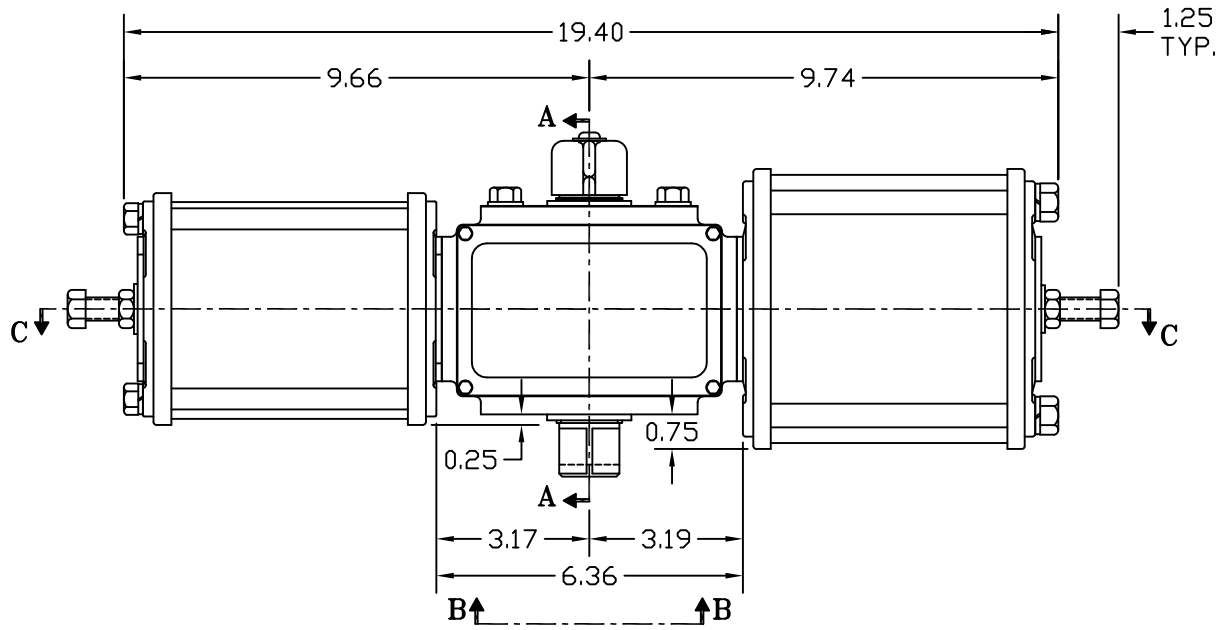
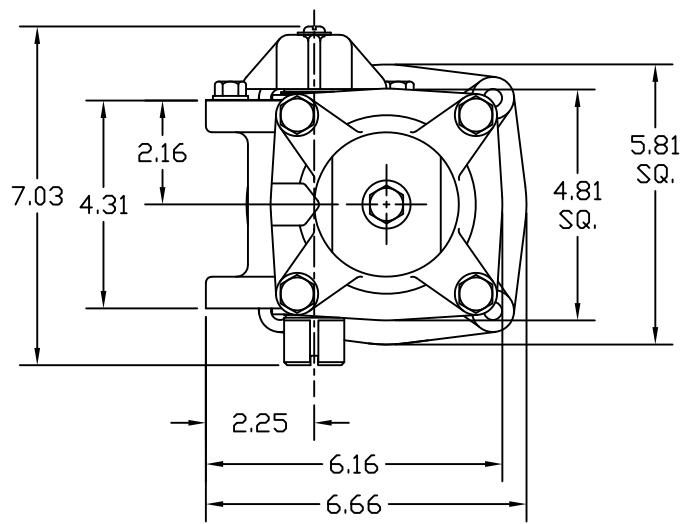
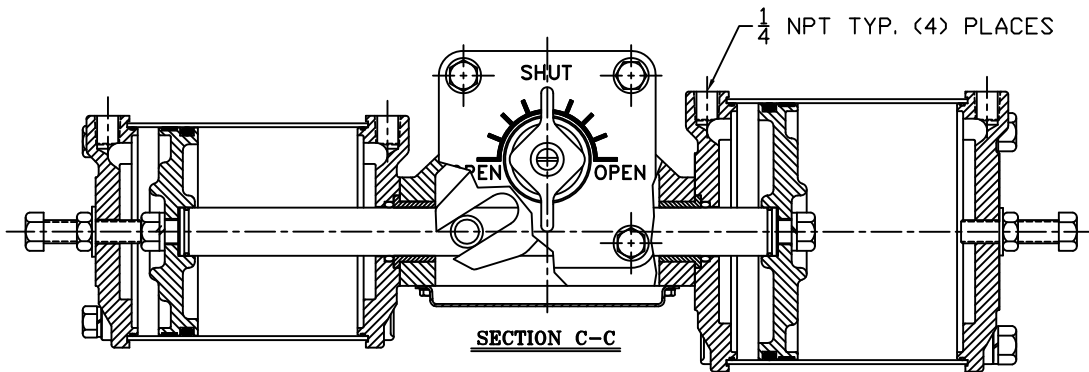


SECTION A-A

YOKE SHOWN AT MID-STROKE
POINTER OMITTED FOR CLARITY



VIEW B-B

MODEL 15B MOUNTING PATTERN (F12) BOTH SIDES
(SCALE: 1:1)

REV	DESCRIPTION	BY	CHK	APR	DATE
C	UPDATED SECTION A-A & HOUSING COVER TO CWITD	CAW			08/18/06
B	UPDATED VIEW B-B	CAW			07/11/06
	CHANGE	BY	CHK	APR	DATE

MORIN
Birmingham, AL

TITLE: MODEL B-059UC-D000 ACTUATOR

DRAWN BY: CAW DATE: 08/18/06 CHECKER: DATE: APPROVAL: DATE:

SCALE: FULL REVISION: C DRAWING NO.: S15B570C

SHEET 1 OF 1 DWG. SIZE: E