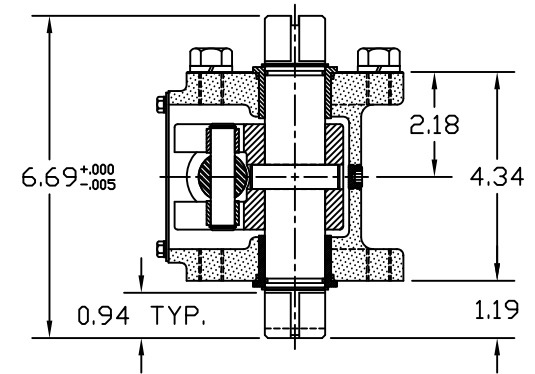
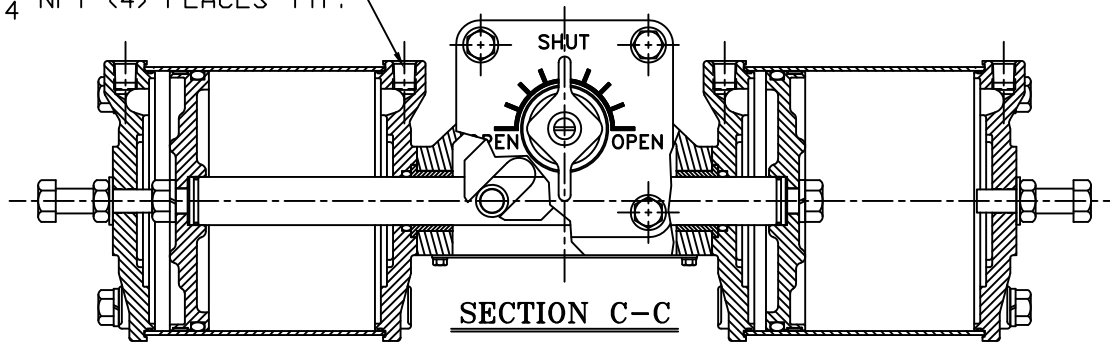
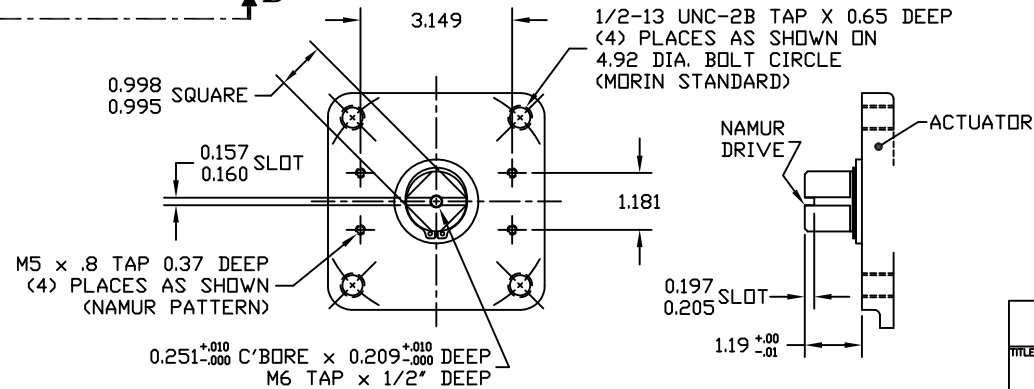
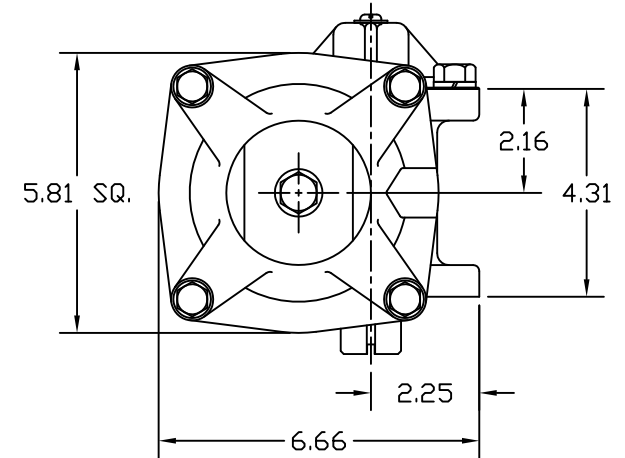
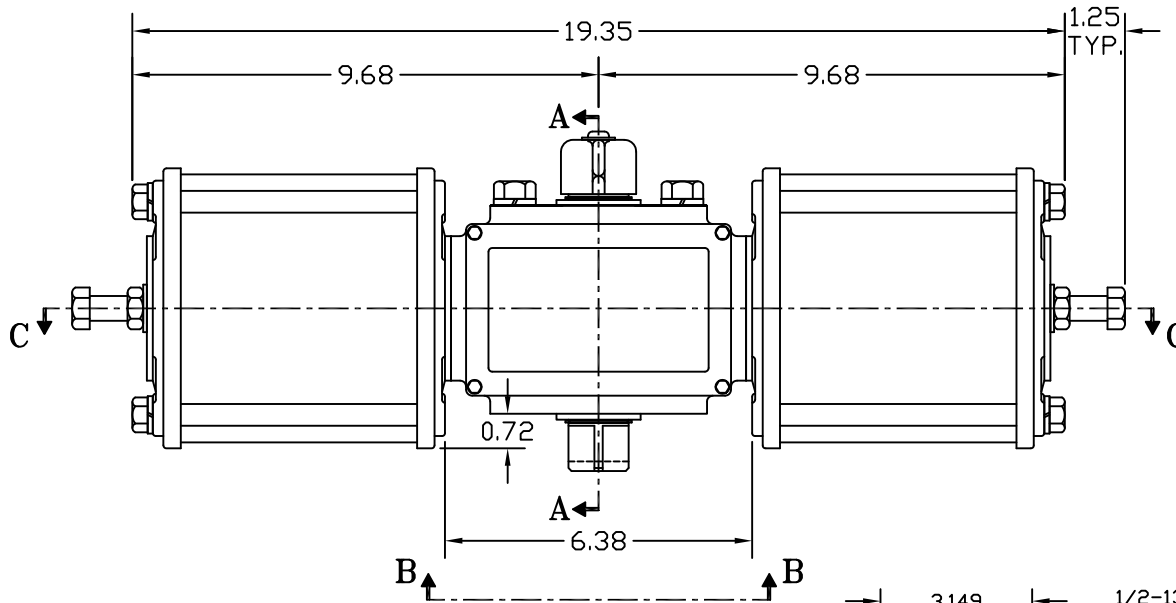


1/4 NPT (4) PLACES TYP.



**SECTION A-A**

YOKE SHOWN AT MID-STROKE  
POINTER OMITTED FOR CLARITY



**VIEW B-B**

MODEL 15B MOUNTING PATTERN (F12) BOTH SIDES  
(SCALE: 1:1)

G	UPDATED VIEW B-B	CAW		05/07/06
F	UPDATED VIEW B-B	CAW		07/10/06
E	REVISED CYLINDER LENGTH TO CANTED	JLC		
D	REVISED DETAIL SECTION A-A	BDC		
C	GENERAL REVISIONS	BDC		
B	NEW EXTENDED FORK YOKE DESIGN	BDC		
REV	CHANGE	BY	CHK	APR DATE

<b>MORIN</b> Birmingham, AL				
TITLE: MODEL B-072U-D000 ACTUATOR				
DRAWN BY:	DATE:	CHECKER:	DATE:	APPROVAL:
BDC	3/10/04			
SCALE:	REVISION:	DRAWING NO.:		
FULL	G			
SHEET	DWG. SIZE:			
1 of 1	E	S15B505G		