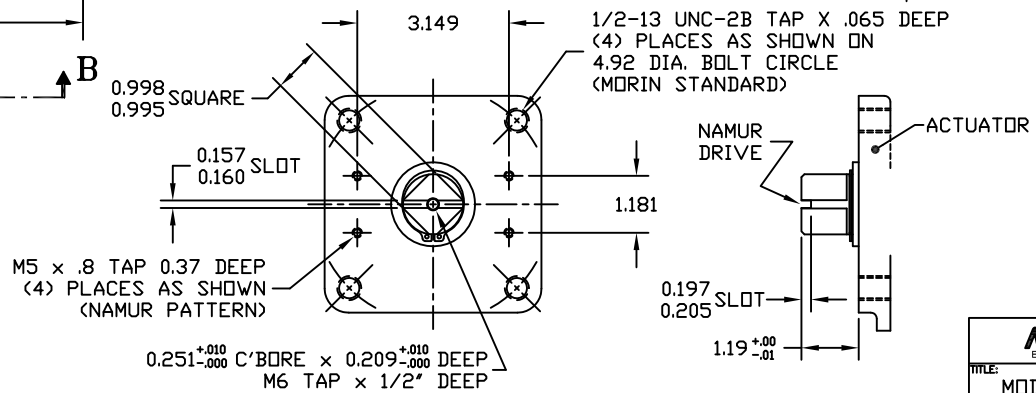
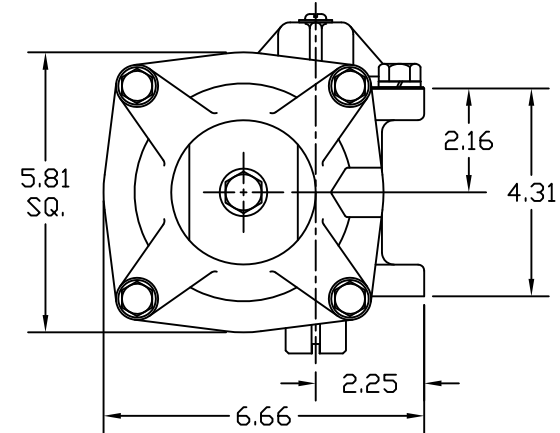
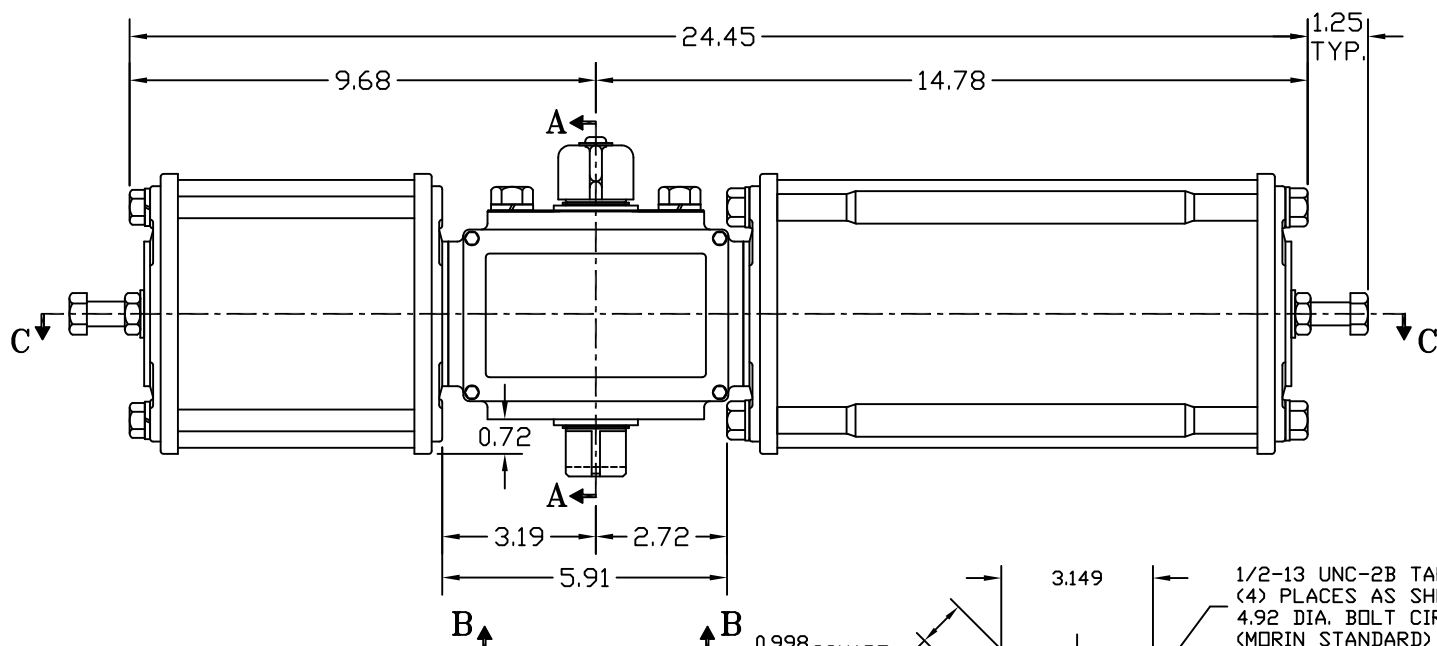


SECTION A-A
 YOKE SHOWN AT MID-STROKE
 POINTER OMITTED FOR CLARITY



VIEW B-B

MODEL 15B MOUNTING PATTERN (F12) BOTH SIDES
 (SCALE: 1:1)

G	CORRECTED DIMENSION ON ENCOMP FROM 712 SQ TO 581 SQ	CAW			03/07/06
F	UPDATED VIEW B-B				
F	UPDATED VIEW B-B	CAW			07/10/06
E	UPDATED CYLINDER LENGTH	CAW			2/10/06
D	REVISED SECTION A-A & VIEW B-B	BDC			
C	NEW EXTENDED FORK YOKE DESIGN	BDC			
B	REVISED VIEW B-B DRAWING	BDC			
REV	CHANGE	BY	CHK	APR	DATE

MORIN® Birmingham, AL					
TITLE: MODEL B-072U-S000 ACTUATOR					
DRAWN BY:	DATE:	CHECKER:	DATE:	APPROVAL:	DATE:
BDC	8/14/00				
SCALE:	FULL	REVISION:	G	DRAWING NO.:	
SHEET	1 OF 1	DWG. SIZE:	E	S15B005G	