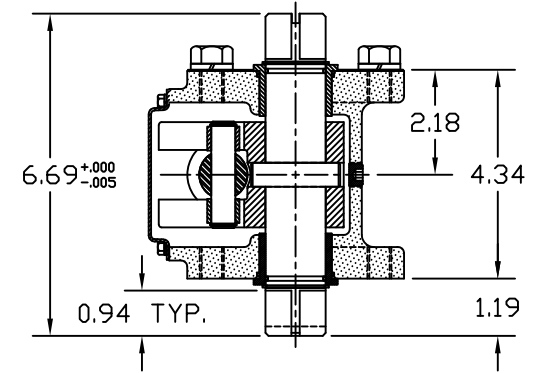
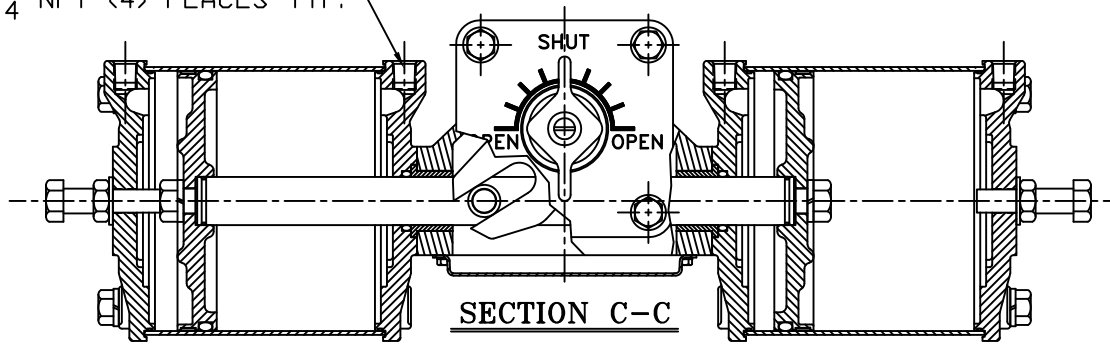
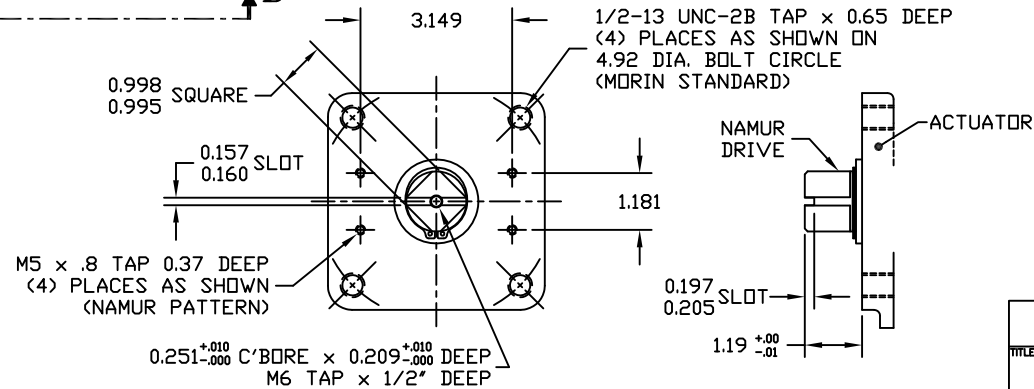
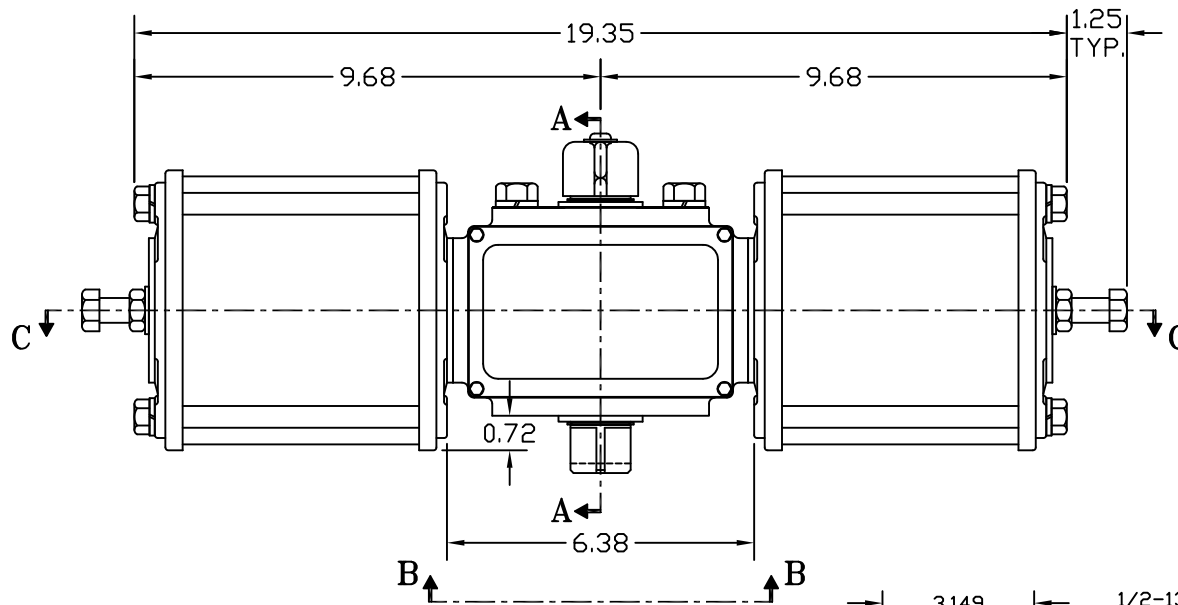
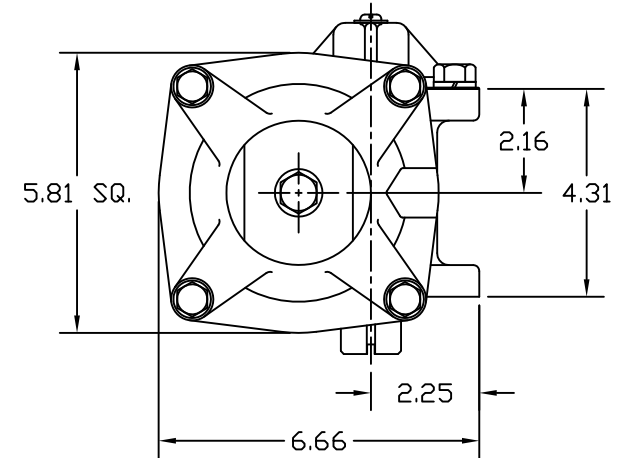


1/4 NPT (4) PLACES TYP.



**SECTION A-A**

YOKE SHOWN AT MID-STROKE  
POINTER OMITTED FOR CLARITY



**VIEW B-B**

MODEL 15B MOUNTING PATTERN (F12) BOTH SIDES  
(SCALE: 1:1)

<b>MORIN</b> Birmingham, AL			
TITLE: MODEL B-072UC-D000 ACTUATOR			
DRAWN BY: CAW	DATE: 08/18/06	CHECKER:	DATE:
SCALE: FULL	REVISION: C	APPROVAL:	DATE:
SHEET 1 of 1	DWG. SIZE: E	DRAWING NO.: S15B568C	

REV	CHANGE	BY	CHK	APR	DATE
C	UPDATED SECTION A-A & HOUSING COVER TO CANTED	CAW			08/18/06
B	UPDATED VIEW B-B	CAW			05/07/06