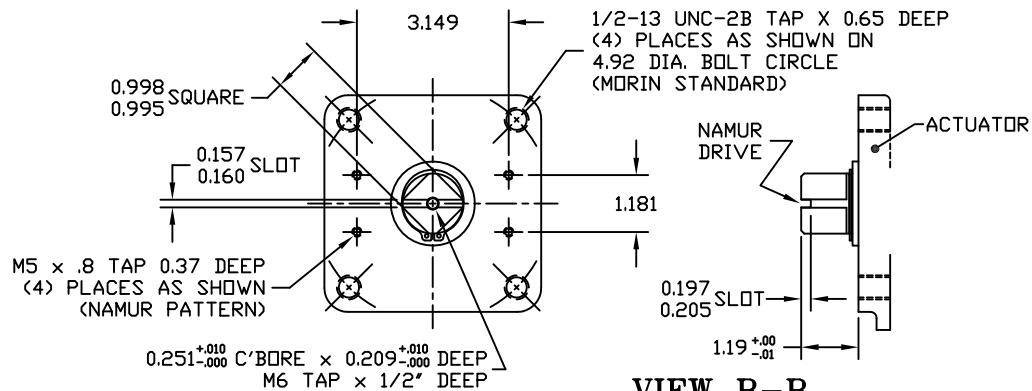
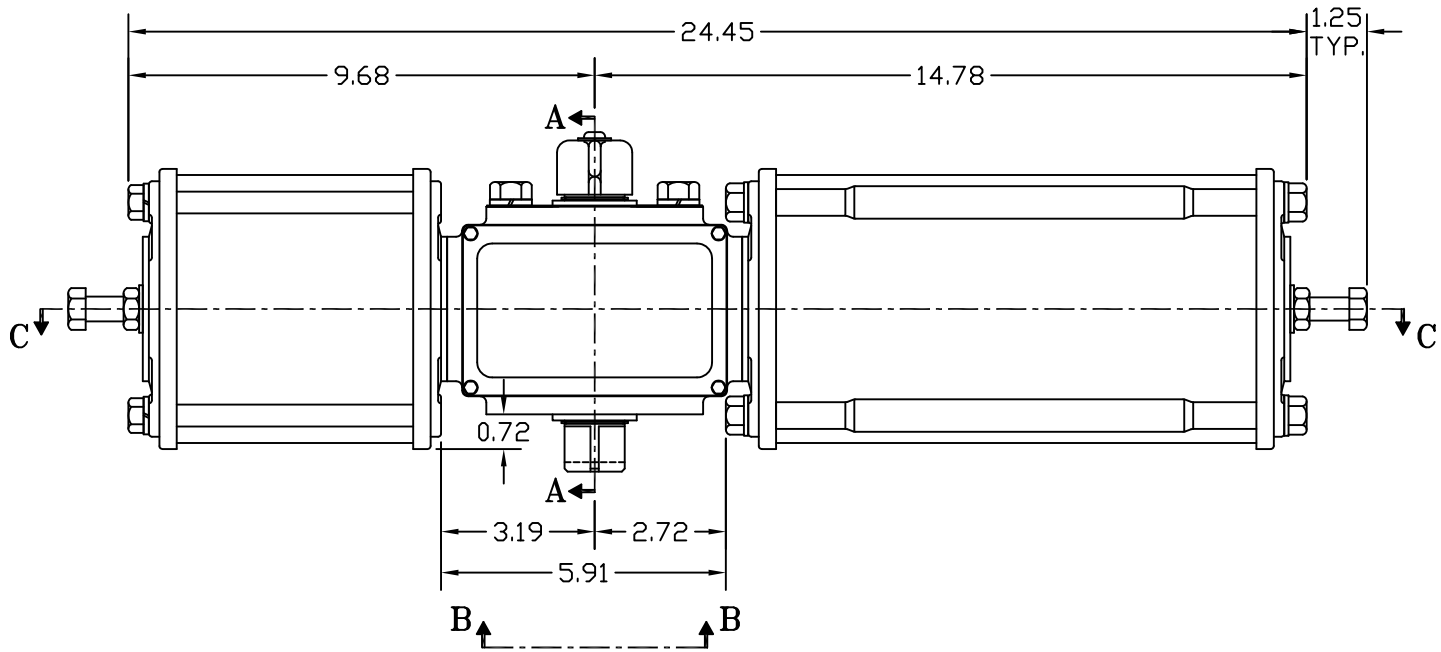
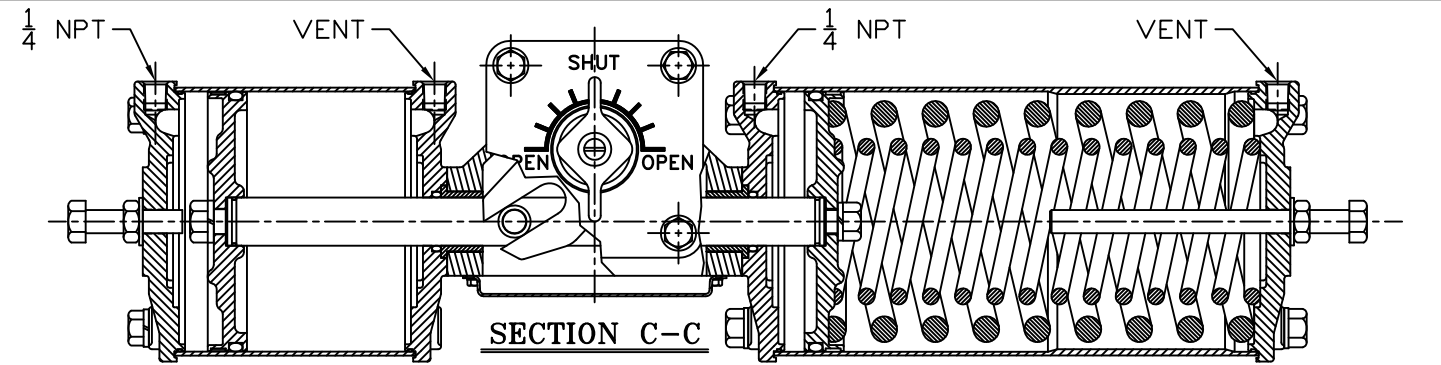
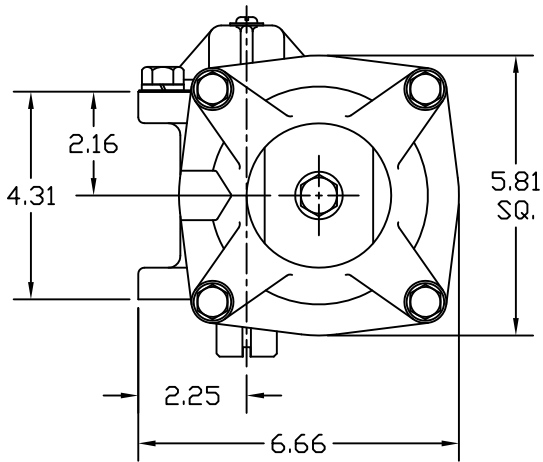


**SECTION A-A**  
 YOKE SHOWN AT MID-STROKE  
 POINTER OMITTED FOR CLARITY



**VIEW B-B**

MODEL 15B MOUNTING PATTERN (F12) BOTH SIDES  
 (SCALE: 1:1)

REV	DESCRIPTION	BY	CHK	APR	DATE
E	CORRECTED ENDCAP DIMENSION FROM 7.12 SQ. TO 5.81 SQ.	CAW			09/22/06
D	UPDATED SECTION A-A & HOUSING COVER TO CANTED	CAW			07/31/06
C	UPDATED VIEW B-B	CAW			05/07/06
B	UPDATED VIEW TO FAIL CLOSED	CAW			04/11/06
	CHANGE		CHK	APR	DATE

<b>MORIN</b> Birmingham, AL					
TITLE: MODEL B-072UC-S000 ACTUATOR					
DRAWN BY:	DATE:	CHECKER:	DATE:	APPROVAL:	DATE:
CAW	08/18/06				
SCALE:	FULL	REVISION:	E	DRAWING NO.:	
SHEET	1 OF 1	DWG. SIZE:	E	S15B138E	