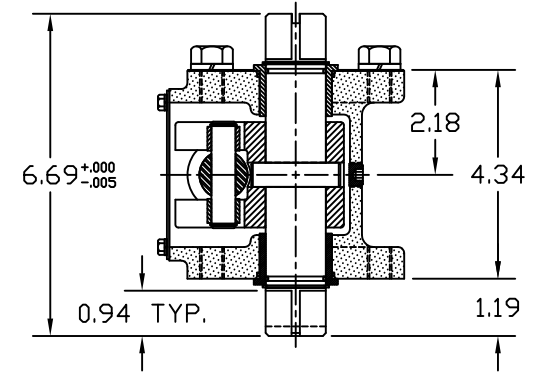
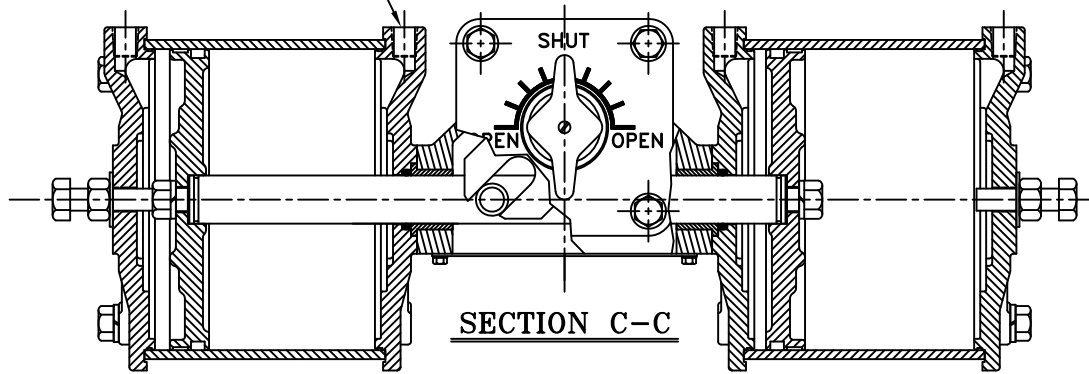
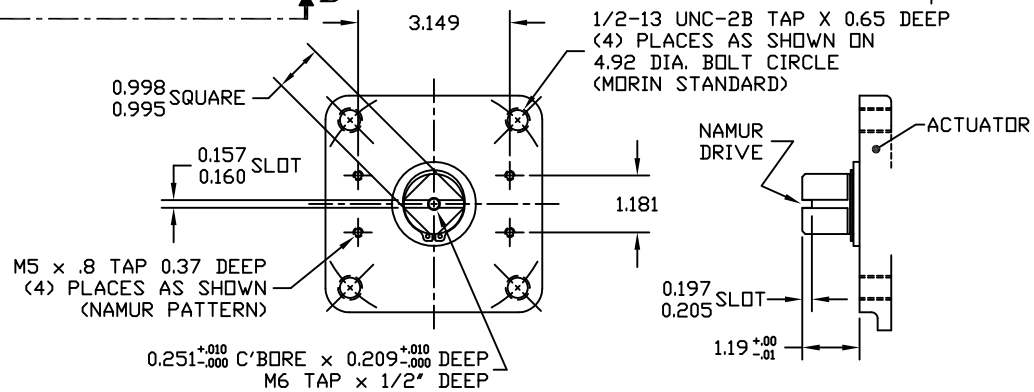
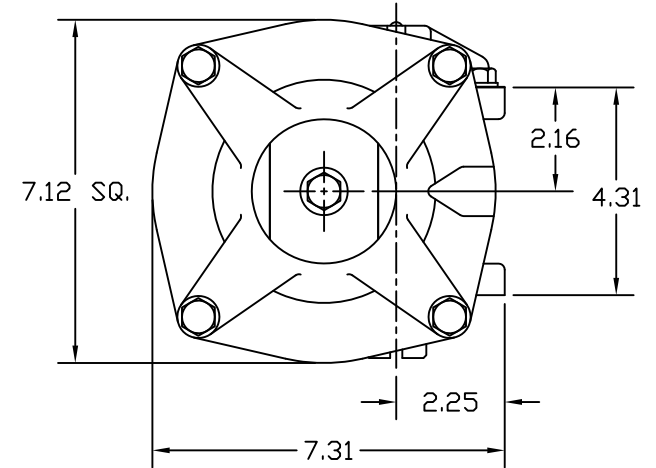
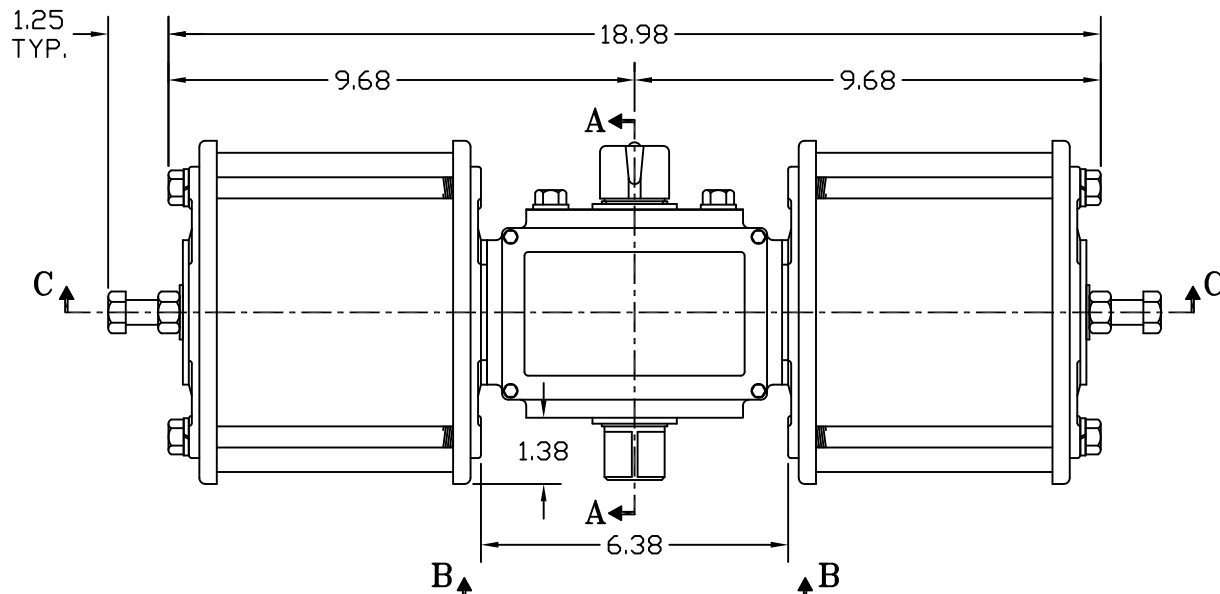


1/4 NPT TYP. (4) PLACES



SECTION A-A

YOKE SHOWN AT MID-STROKE
POINTER OMITTED FOR CLARITY



VIEW B-B

MODEL 15B MOUNTING PATTERN (F12) BOTH SIDES
(SCALE: 1:1)

MORIN Birmingham, AL			
TITLE: MODEL B-100U-D000 ACTUATOR			
DRAWN BY: BDC	DATE: 12/29/00	CHECKER:	DATE:
SCALE: FULL	REVISION: F	DRAWING NO.:	
SHEET 1 of 1	DWG. SIZE: E	S15B506F	

F	UPDATED SECTION A-A & VIEW B-B	CAW		08/08/06
E	UPDATED VIEW B-B	CAW		07/10/06
D	REVISED CYLINDER FOR CANTED LENGTH	JLC		
C	NEW EXTENDED FORK YOKE DESIGN	BDC		
REV	CHANGE	BY	CHK	APR DATE