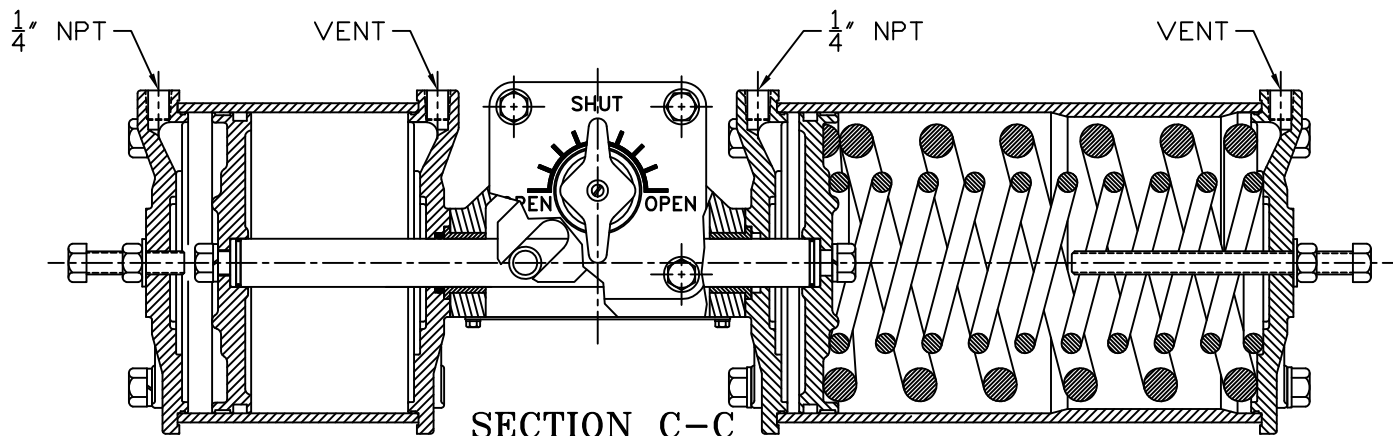
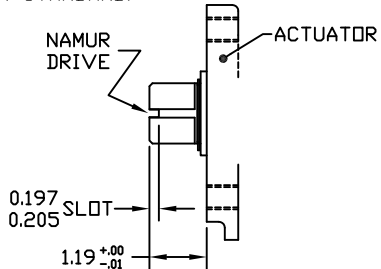
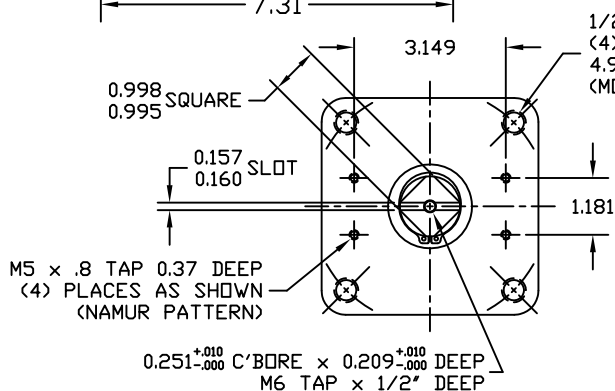
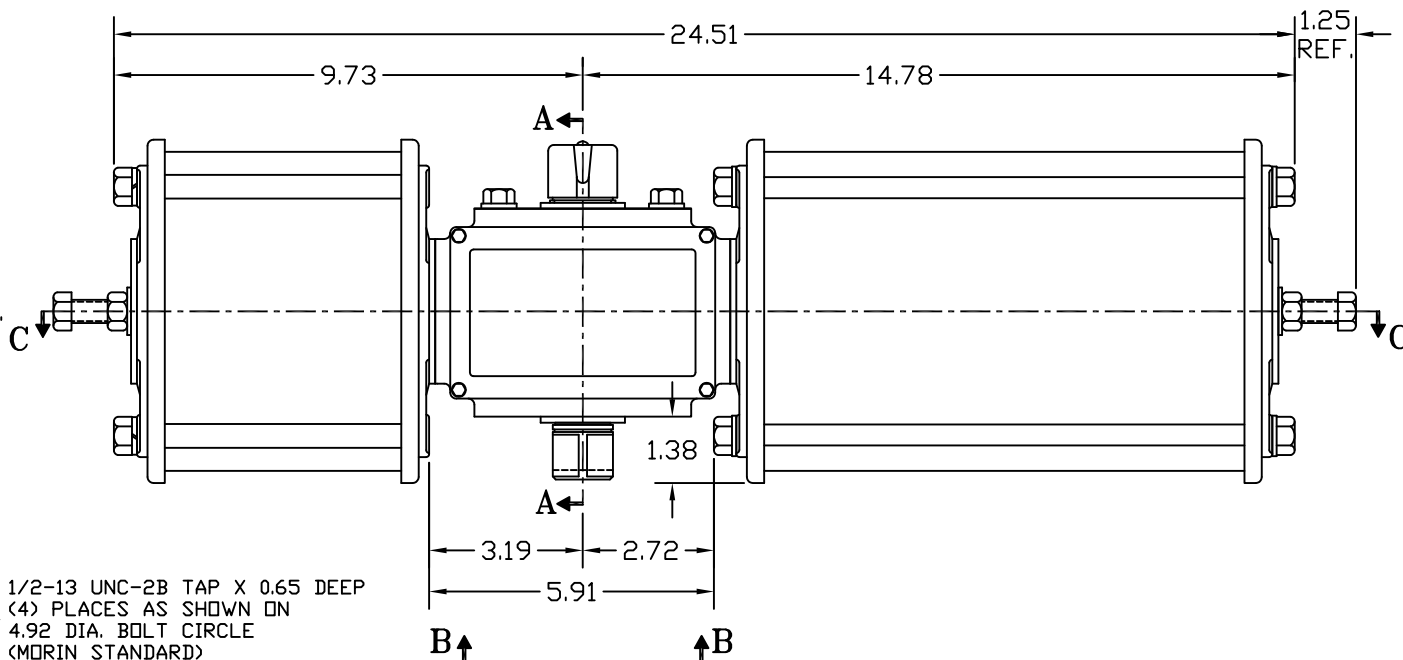
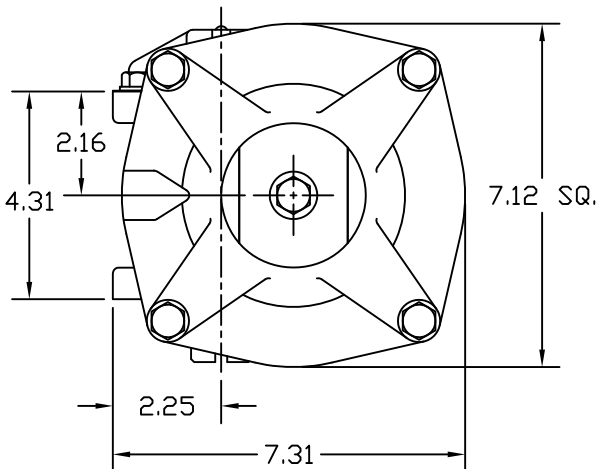


SECTION A-A

YOKE SHOWN AT MID-STROKE
POINTER OMITTED FOR CLARITY



SECTION C-C



VIEW B-B

MODEL 15B MOUNTING PATTERN (F12) BOTH SIDES
(SCALE: 1:1)

F	UPDATED SECTION A-A & VIEW B-B	CAW		04/19/07
E	UPDATED VIEW B-B	CAW		07/20/06
D	UPDATED CYLINDER LENGTH	CAW		2/10/06
C	NEW EXTENDED FORK YOKE DESIGN	BDC		
B	REVISED VIEW B-B DRAWING	BDC		
REV	CHANGE	BY	CHK	APR DATE

MORIN Birmingham, AL				
TITLE: MODEL B-100U-S000 ACTUATOR				
DRAWN BY:	DATE:	CHECKER:	DATE:	APPROVAL:
BDC	8/14/00			
SCALE:	FULL	REVISION:	F	DRAWING NO.:
SHEET	DWG. SIZE:	E		
1 of 1		S15B006F		