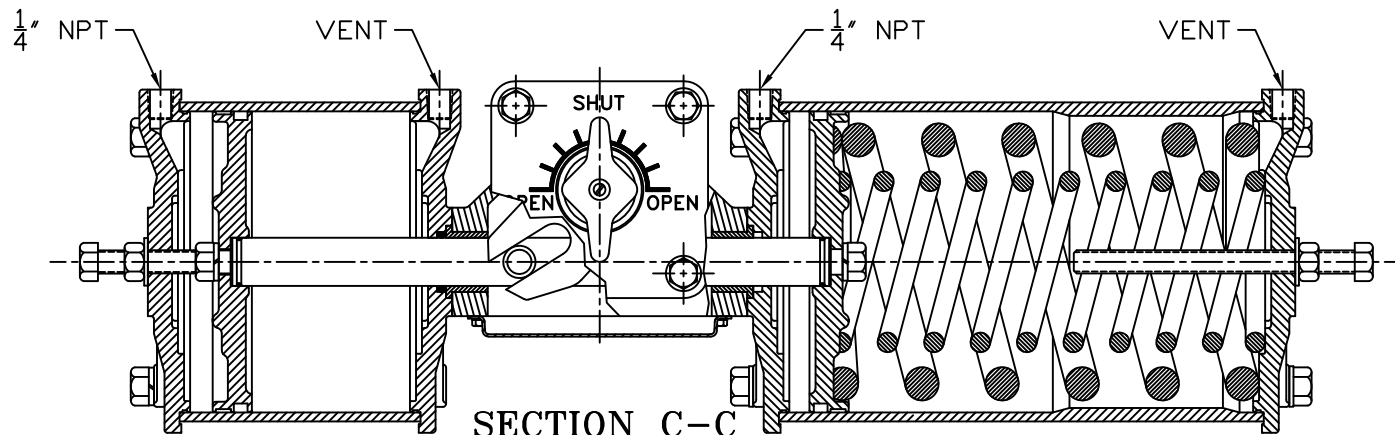
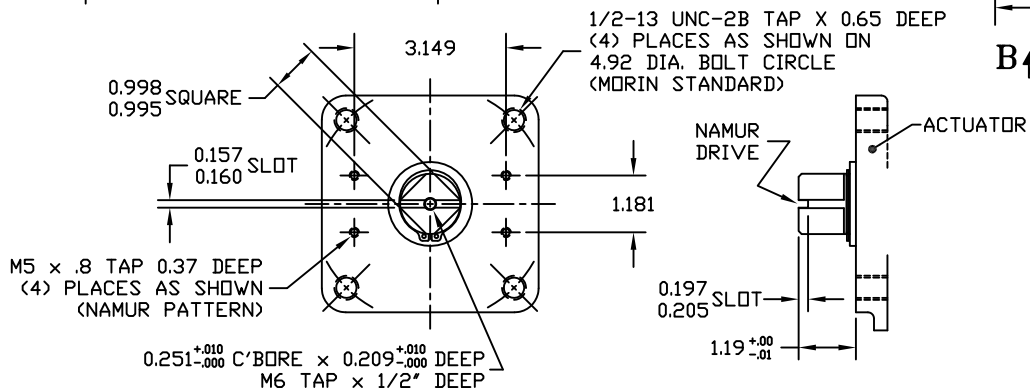
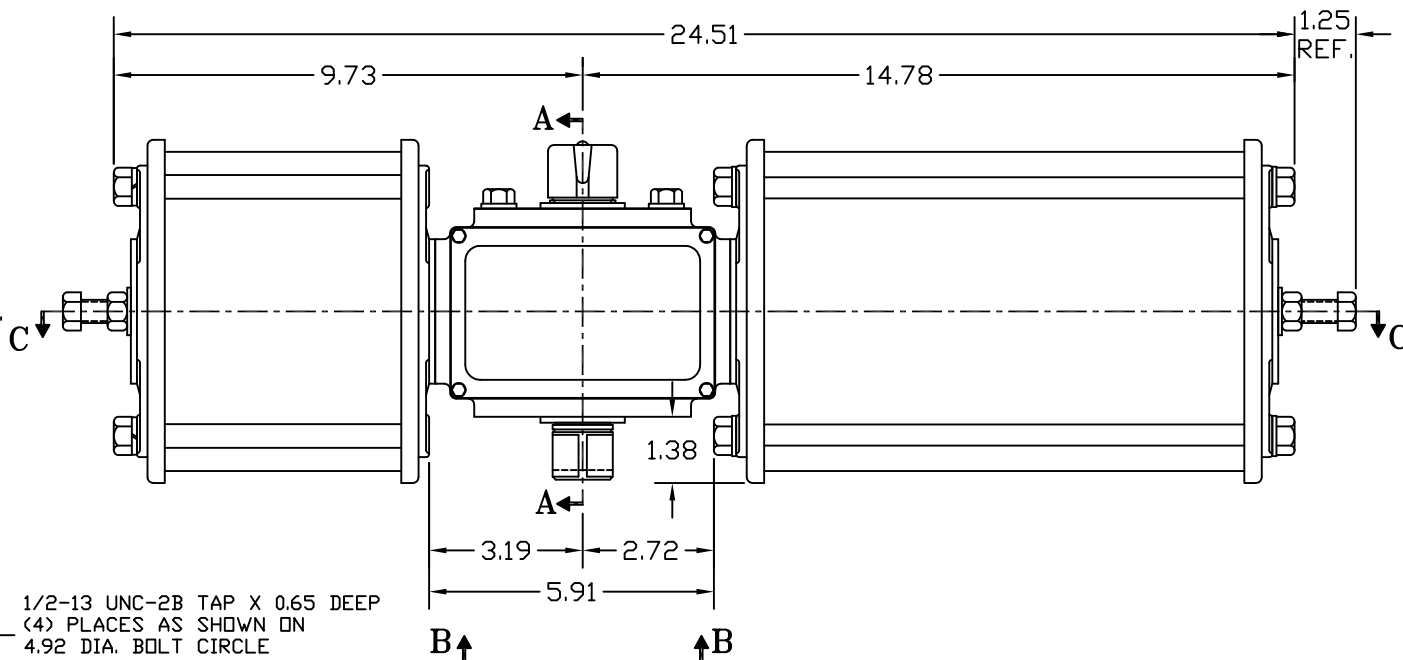
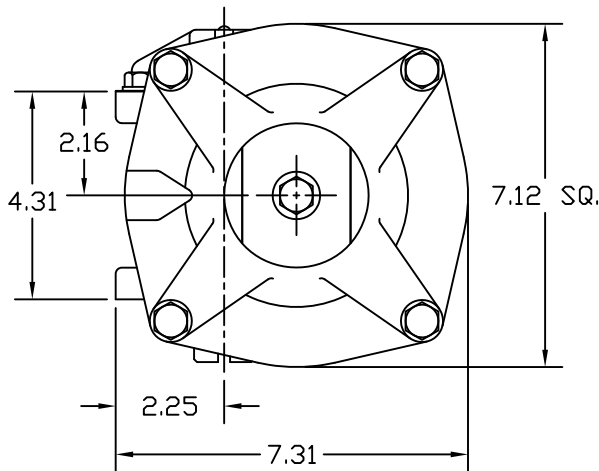


SECTION A-A

YOKE SHOWN AT MID-STROKE
POINTER OMITTED FOR CLARITY



SECTION C-C



VIEW B-B

MODEL 15B MOUNTING PATTERN (F12) BOTH SIDES
(SCALE: 1:1)

MORIN Birmingham, AL			
TITLE: MODEL B-100UC-S000 ACTUATOR			
DRAWN BY:	DATE:	CHECKER:	DATE:
CAW	08/18/06		
SCALE:	REVISION:	DRAWING NO.:	
FULL	C	S15B139C	
SHEET	DWG. SIZE:		
1 of 1	E		

REV	CHANGE	BY	CHK	APR	DATE
C	UPDATED SECTION A-A & HOUSING COVER TO CANTED	CAW			07/21/06
B	UPDATED SECTION A-A & VIEW B-B	CAW			02/06/06