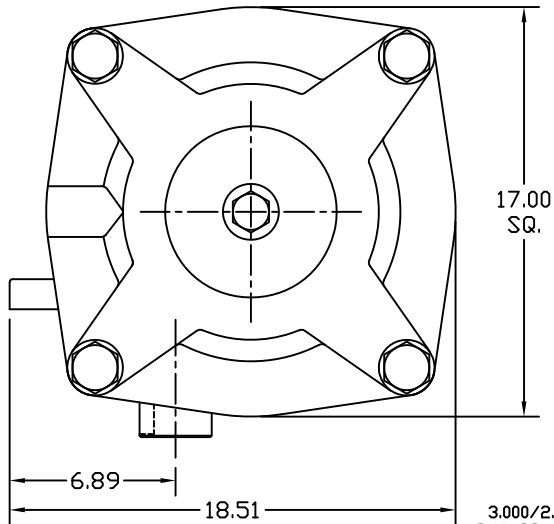
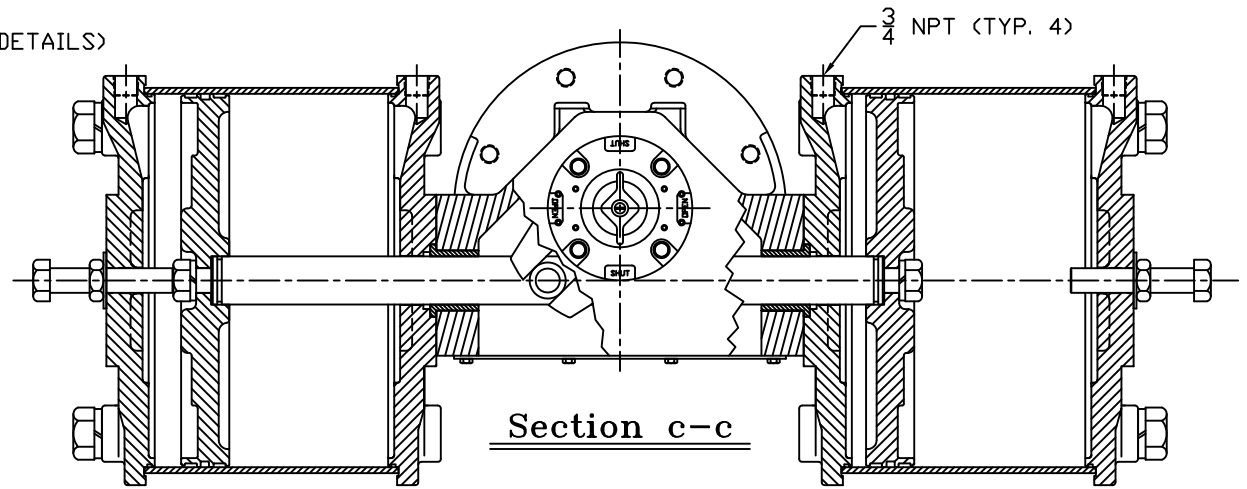
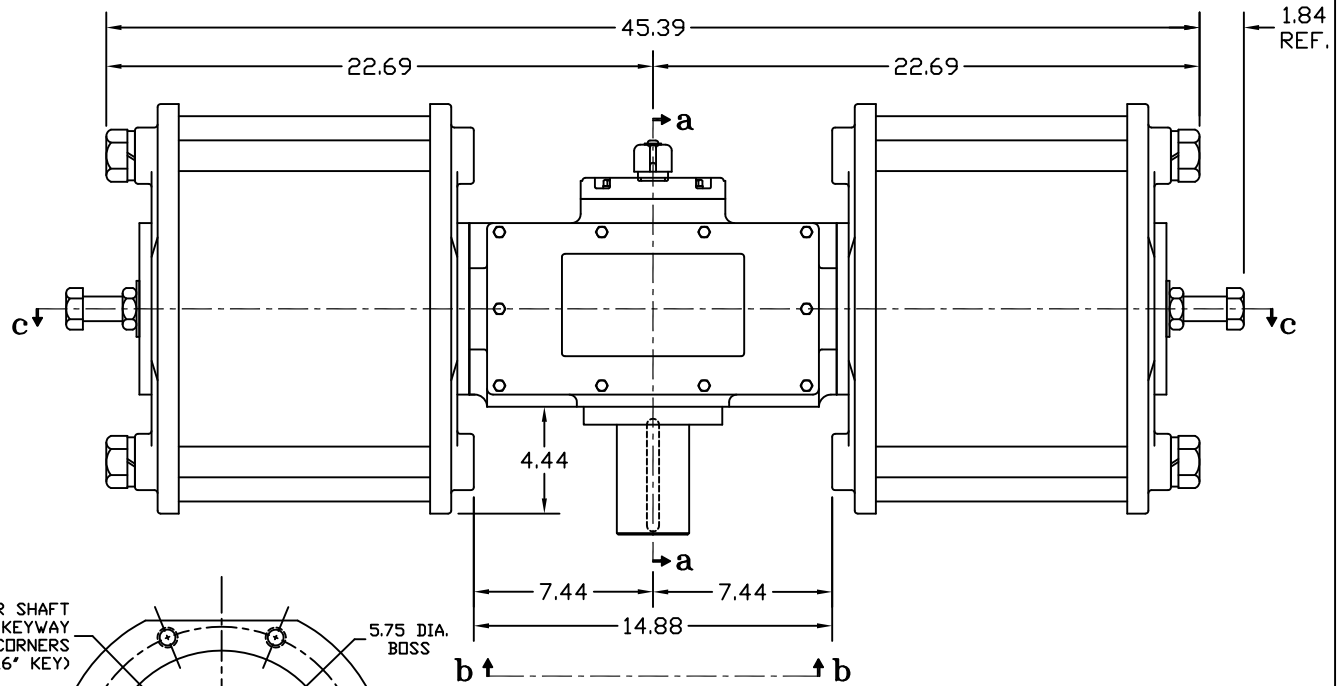


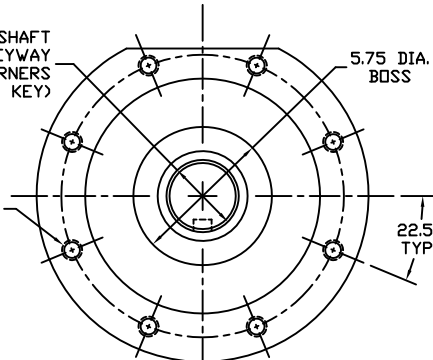
Section a-a
YOKE SHOWN AT MID-STROKE
POINTER OMITTED FOR CLARITY



3.000/2.994 DIAMETER SHAFT
3/4 SQ. x 3.88 LONG KEYWAY
W/ .031 RADIUS INSIDE KEYWAY CORNERS
(TO BE USED W/ 3/4" x 3 13/16" KEY)



3/4-10 UNC TAP x 1.18 DEEP
(8) PLACES AS SHOWN ON
11.73 DIAMETER BOLT CIRCLE



MORIN		MORIN Actuator 110 Commerce Drive Pelham, Alabama, U.S.A. 35124 www.morinact.com	
MODEL B-1150U-D000 ACTUATOR			
DRAWN BY:	DATE:	CHECKED:	DATE:
BDC	9/11/00		
SCALE:	REVISION:	DRAWING NO.:	
HALF	E	S30B504E	
SHEET	DWG. SIZE:		
1 OF 1	E		

E	UPDATED VIEW B-B	CAW		10/24/13
D	UPDATED VIEW B-B & SECTION A-A	CAW		12/14/17
C	UPDATED VIEW B-B & CYLINDER LENGTH TO CANTED	CAW		07/11/16
B	UPDATED VIEW B-B & SECTION A-A	BDC		1/28/15
REV	CHANGE	BY	CHK	APR DATE