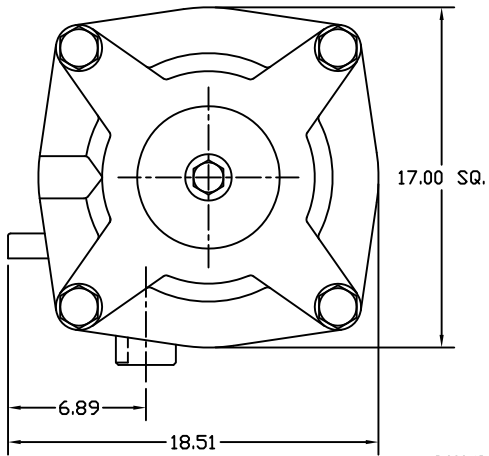


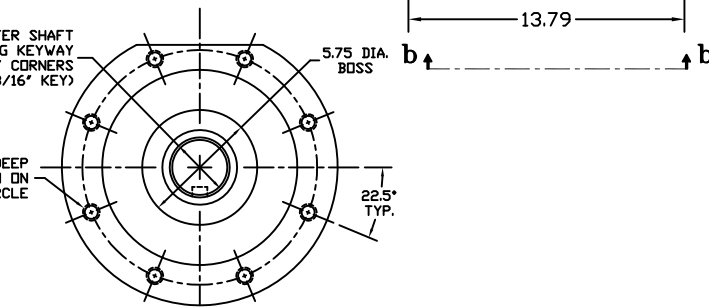
Section a-a

YOKE SHOWN AT MID-STROKE
POINTER OMITTED FOR CLARITY



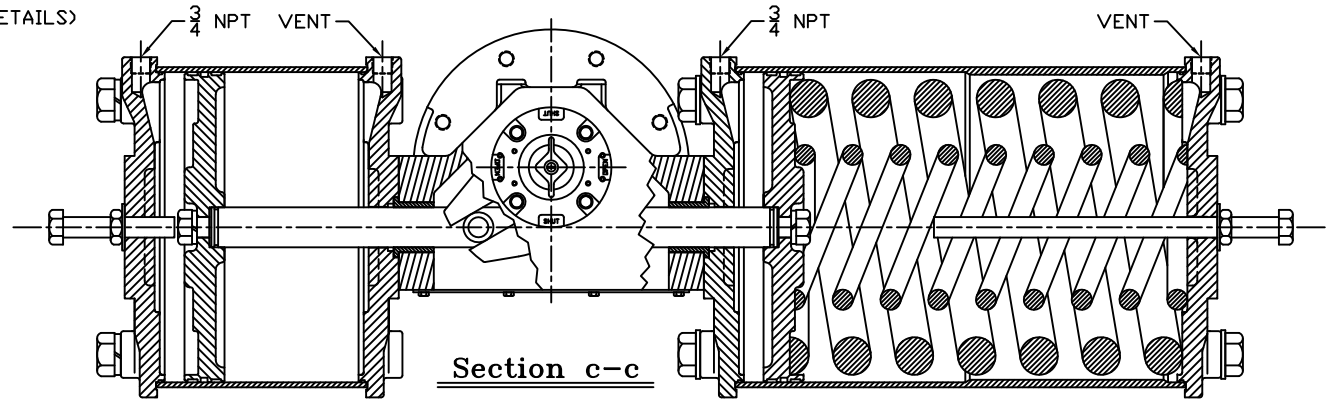
3.000/2.994 DIAMETER SHAFT
3/4 SQ. x 3.88 LONG KEYWAY
W/ .031 RADIUS INSIDE KEYWAY CORNERS
(TO BE USED W/ 3/4" X 3 13/16" KEY)

3/4-10 UNC TAP x 1.18 DEEP
(8) PLACES AS SHOWN ON
11.73 DIAMETER BOLT CIRCLE



View b-b

ISO F30 MOUNTING PATTERN



Section c-c

MORIN www.morinact.com		Morin Actuator 110 Commerce Drive Pellham, Alabama, U.S.A. 35124 (205) 663-0533	
MODEL B-1150UC-S000 ACTUATOR			
DRAWN BY:	DATE:	CHECKED:	DATE:
BDC	2/13/03		
SCALE:	REVISION:	DRAWING NO.:	
3X	E		
SHEET	DWG. SIZE:		
1 of 1	D	S30B040E	

REV	CHANGE	BY	CHK	APR	DATE
E	UPDATED VIEW B-B	CAW			04/30/13
D	UPDATED VIEW B-B & SECTION A-A	CAW			02/15/07
C	UPDATED VIEW B-B	CAW			07/11/06
B	UPDATED VIEW B-B & SECTION A-A	BDC			1/28/05