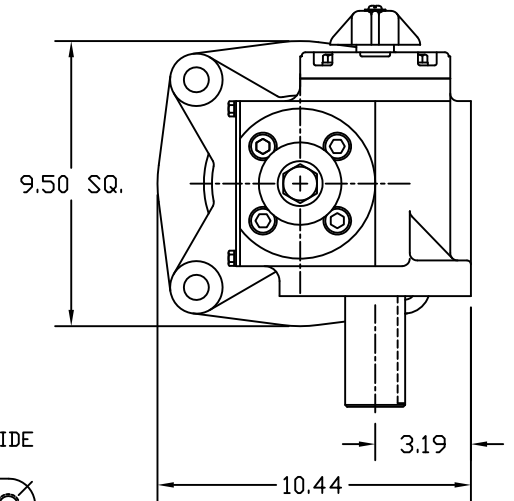
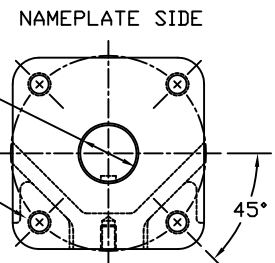


SECTION A-A
YOKE SHOWN AT MID-STROKE
POINTER OMITTED FOR CLARITY



2.000/1.994 DIAMETER SHAFT
1/2 SQ. x 3.19 LONG KEYWAY
W/ .031 RADIUS INSIDE KEYWAY CORNERS
(TO BE USED W/ 1/2" X 3 3/16" KEY)

3/4-10 UNC TAP x 1.18 DEEP
(4) PLACES AS SHOWN ON
6.50 DIAMETER BOLT CIRCLE



VIEW B-B
ISO (F16) MOUNTING PATTERN

MORIN® Birmingham, AL					
TITLE: MODEL B-135U-D000 ACTUATOR					
DRAWN BY:	DATE:	CHECKER:	DATE:	APPROVAL:	DATE:
BDC	1/16/01				
SCALE:	REVISION:	DRAWING NO.:			
HALF	F				
SHEET	DWG. SIZE:				
1 of 1	D	S25B501F			

F	REVISED SECTION A-A & VIEW B-B	CAW			02/14/07
E	UPDATED VIEW B-B	CAW			07/27/06
D	UPDATED CYLINDER LENGTH TO CANTED	CAW			06/21/06
C	REVISED SECTION A-A & VIEW B-B	BDC			
B	HOUSING UPDATE & REVISED SECTION A-A	BDC			
REV	CHANGE	BY	CHK	APR	DATE