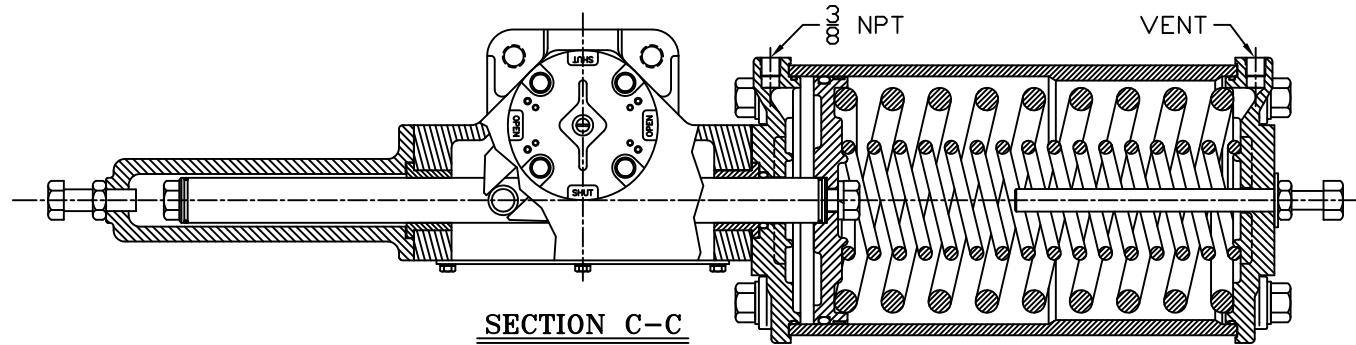
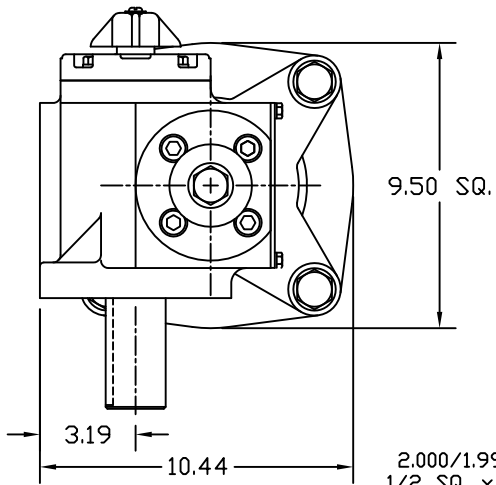


SECTION A-A

YOKE SHOWN AT MID-STROKE
POINTER OMITTED FOR CLARITY

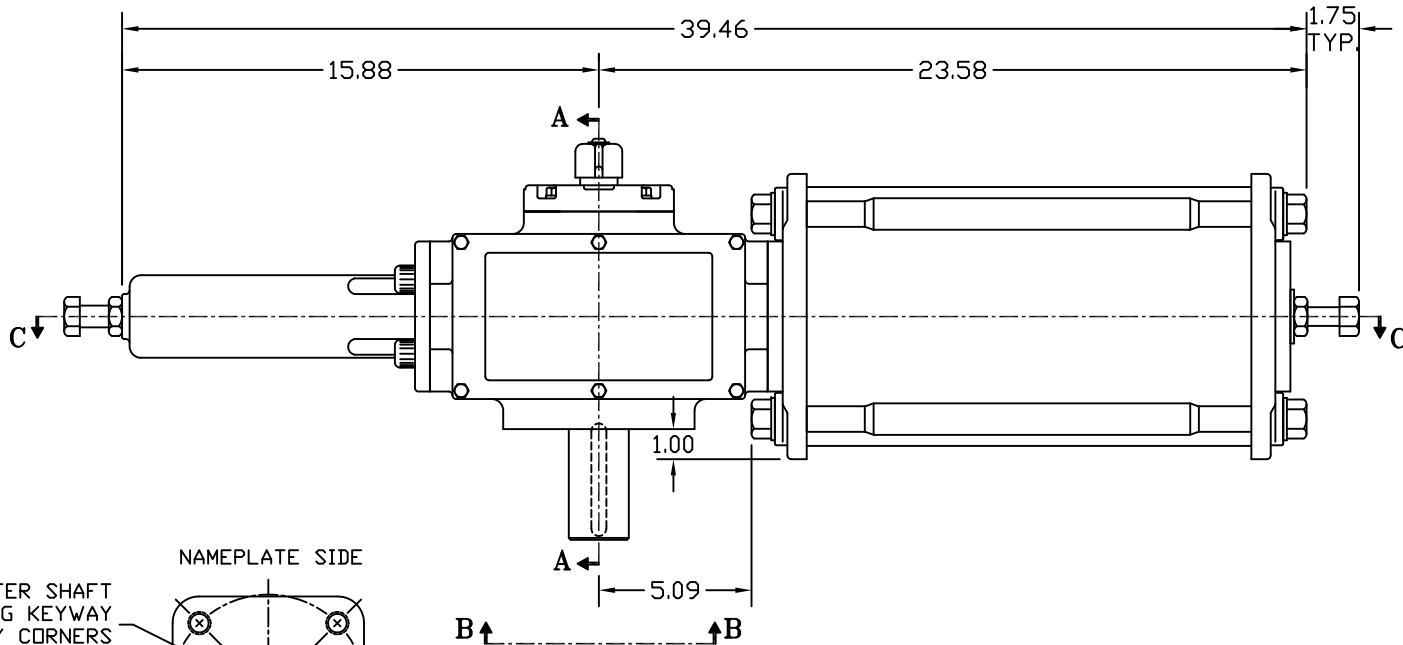


SECTION C-C

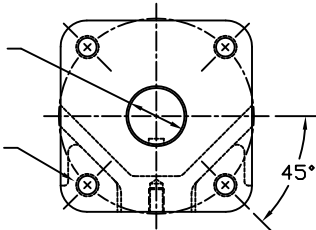


2.000/1.994 DIAMETER SHAFT
1/2 SQ. x 3.19 LONG KEYWAY
W/ .031 RADIUS INSIDE KEYWAY CORNERS
(TO BE USED W/ 1/2" X 3 3/16" KEY)

3/4-10 UNC TAP x 1.18 DEEP
(4) PLACES AS SHOWN ON
6.50 DIAMETER BOLT CIRCLE



NAMEPLATE SIDE



VIEW B-B

ISO (F16) MOUNTING PATTERN

MORIN® Birmingham, AL					
TITLE: MODEL B-135U-S000 ACTUATOR					
DRAWN BY:	DATE:	CHECKER:	DATE:	APPROVAL:	DATE:
BDC	12/29/00				
SCALE:	REVISION:	DRAWING NO.:			
HALF	E	S25B001E			
SHEET	DWG. SIZE:				
1 of 1	D				

E	UPATED SECTION A-A & VIEW B-B	CAW			12/14/07
D	UPATED VIEW B-B	CAW			07/26/06
C	UPATED HOUSING & POINTER	BDC			8/13/04
B	UPATED VIEW B-B & SECTION A-A	BDC			4/19/04
REV	CHANGE	BY	CHK	APR	DATE