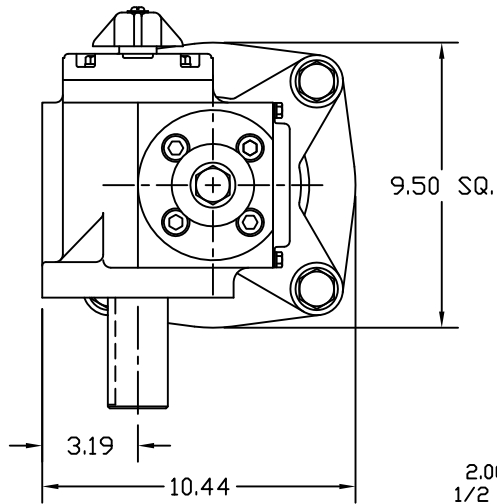


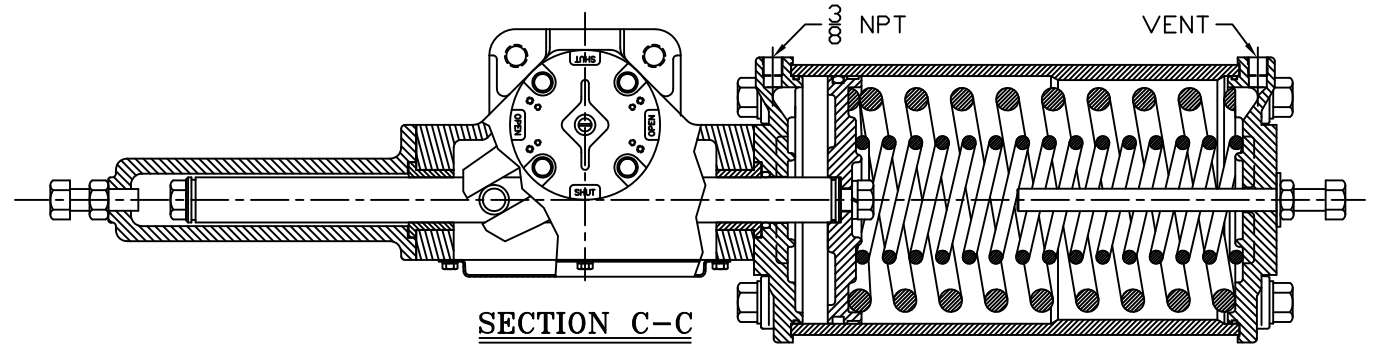
**SECTION A-A**

YOKE SHOWN AT MID-STROKE  
POINTER OMITTED FOR CLARITY

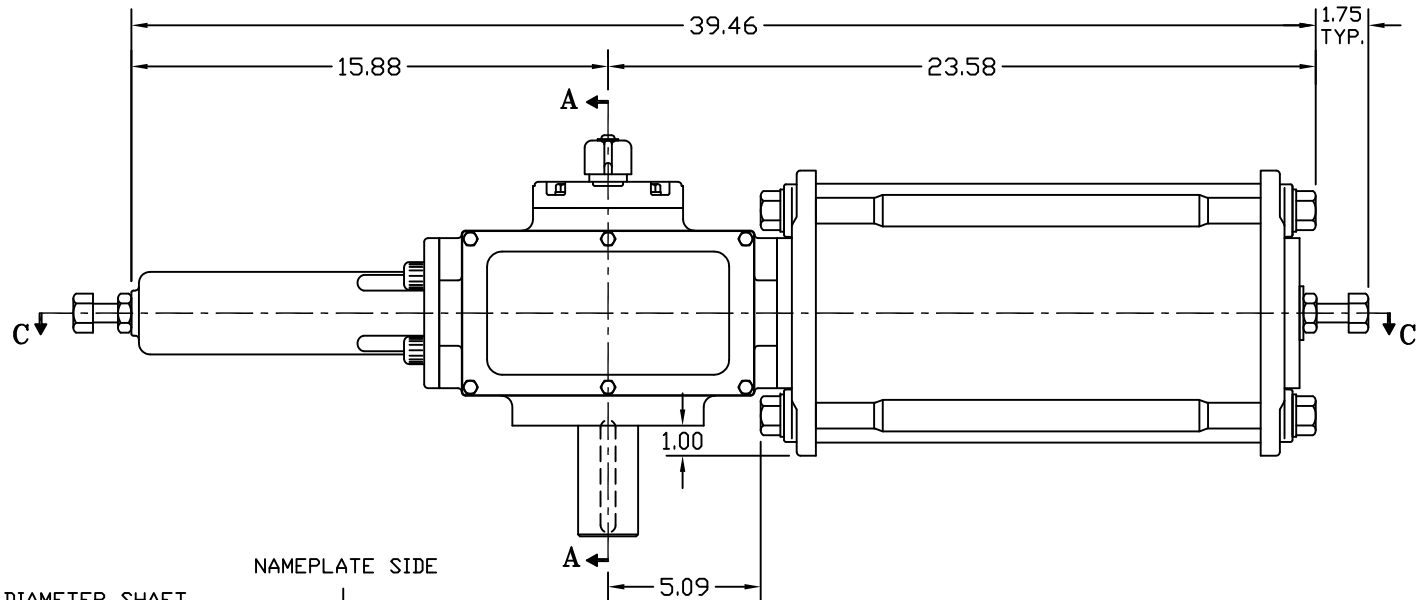


2.000/1.994 DIAMETER SHAFT  
1/2 SQ. x 3.19 LONG KEYWAY  
W/ .031 RADIUS INSIDE KEYWAY CORNERS  
(TO BE USED W/ 1/2" X 3 3/16" KEY)

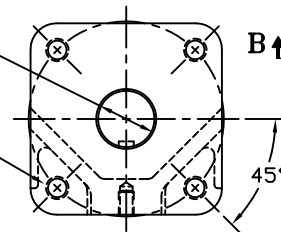
3/4-10 UNC TAP x 1.18 DEEP  
(4) PLACES AS SHOWN ON  
6.50 DIAMETER BOLT CIRCLE



**SECTION C-C**



NAMEPLATE SIDE



**VIEW B-B**

ISO (F16) MOUNTING PATTERN

<b>MORIN®</b> Birmingham, AL			
TITLE: MODEL B-135UC-S000 ACTUATOR			
DRAWN BY:	DATE:	CHECKER:	DATE:
BDC	2/14/03		
SCALE:	REVISION:	DRAWING NO.:	
HALF	E		
SHEET	DWG. SIZE:		
1 of 1	D	S25B047E	

E	UPDATED HOUSING COVER TO CANTED VERSION	CAW		07/15/09
D	UPDATED SECTION A-A & VIEW B-B	CAW		02/15/07
C	UPDATED VIEW B-B	CAW		07/26/06
B	UPDATED HOUSING, SECTION A-A, VIEW B-B	BDC		8/13/04
REV	CHANGE	BY	CHK	APR
				DATE