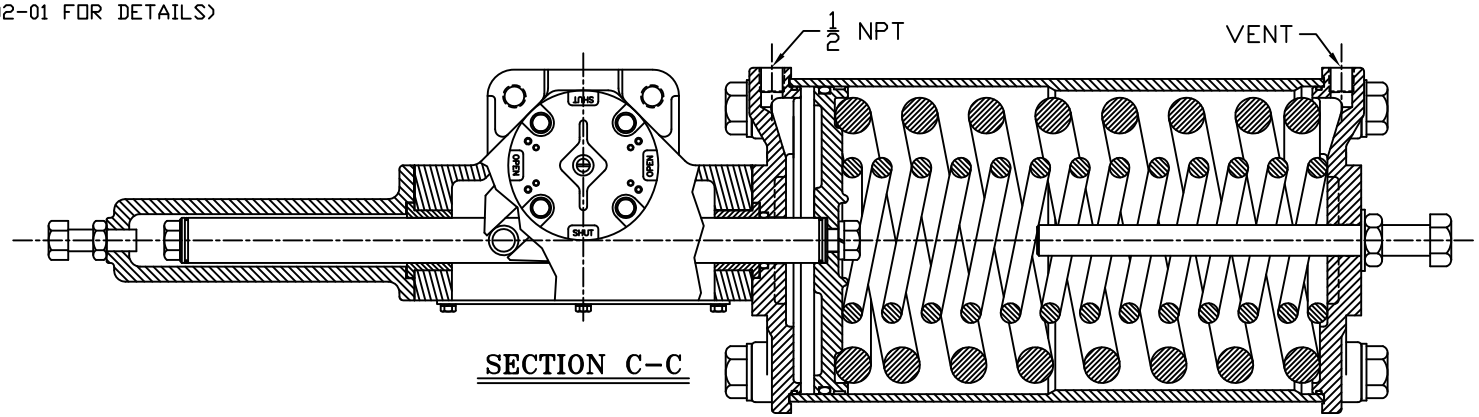
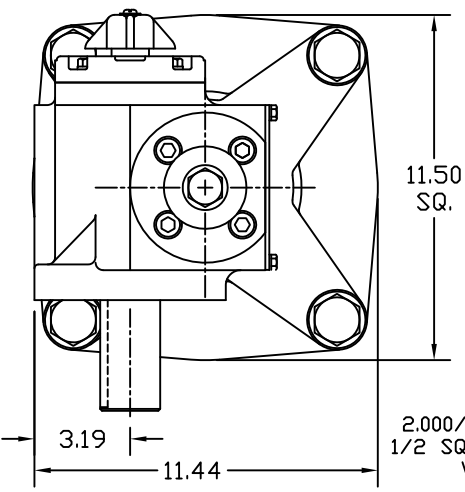
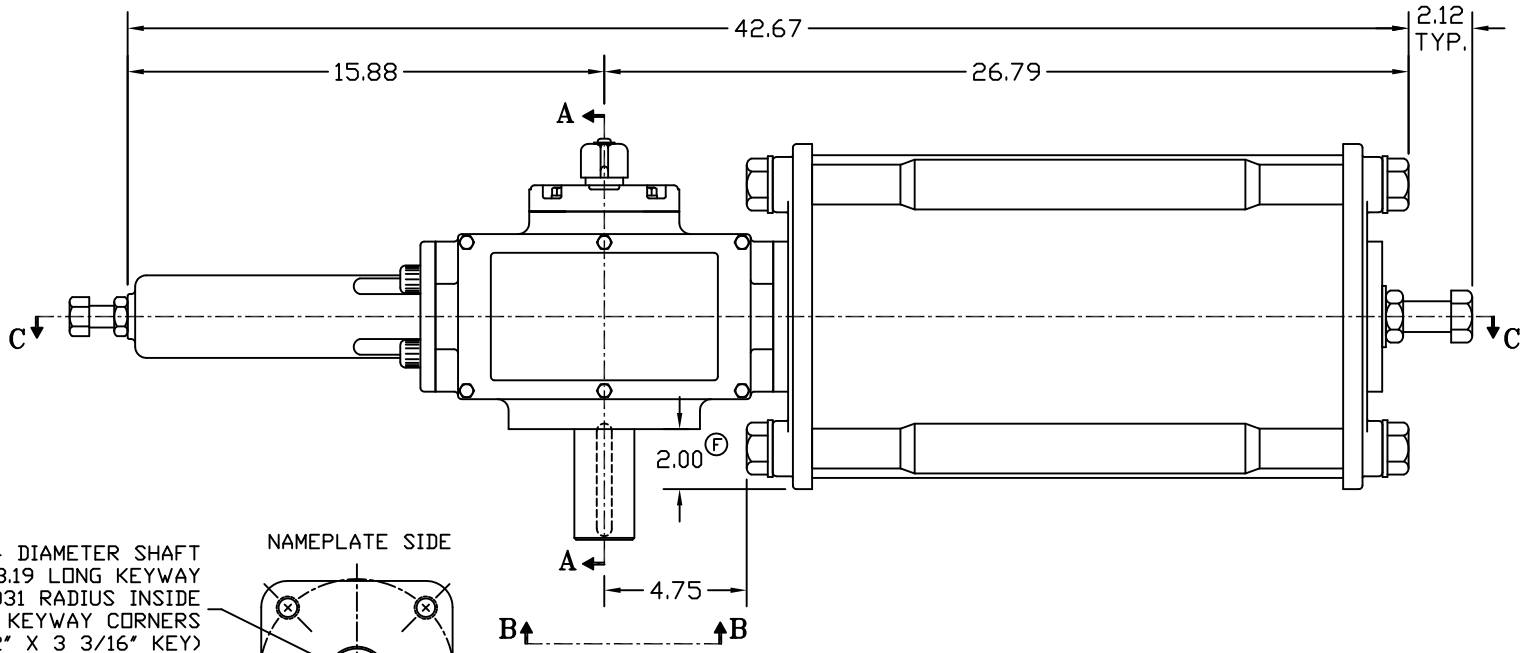


**SECTION A-A**

YOKE SHOWN AT MID-STROKE  
POINTER OMITTED FOR CLARITY

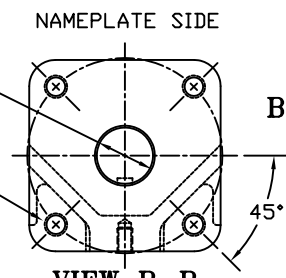


**SECTION C-C**



2.000/1.994 DIAMETER SHAFT  
1/2 SQ. x 3.19 LONG KEYWAY  
W/ .031 RADIUS INSIDE  
KEYWAY CORNERS  
(TO BE USED W/ 1/2" X 3 3/16" KEY)

3/4-10 UNC TAP x 1.18 DEEP  
(4) PLACES AS SHOWN ON  
6.50 DIAMETER BOLT CIRCLE



**VIEW B-B**  
ISO (F16) MOUNTING PATTERN

F	CORRECTED DIMENSION - 2.00 WAS 1.00	CAW		05/11/09
E	UPATED SECTION A-A & VIEW B-B	CAW		02/14/07
D	UPATED VIEW B-B	CAW		07/26/06
C	UPATED HOUSING & POINTER	BDC		8/13/04
B	UPATED VIEW B-B & SECTION A-A	BDC		4/22/04
REV	CHANGE	BY	CHK	APR
				DATE

<b>MORIN®</b> Birmingham, AL					
TITLE: MODEL B-210U-S000 ACTUATOR					
DRAWN BY:	DATE:	CHECKER:	DATE:	APPROVAL:	DATE:
BDC	1/16/01				
SCALE:	HALF	REVISION:	F	DRAWING NO.:	
				S25B002F	
SHEET	1 of 1	DWG. SIZE:	D		