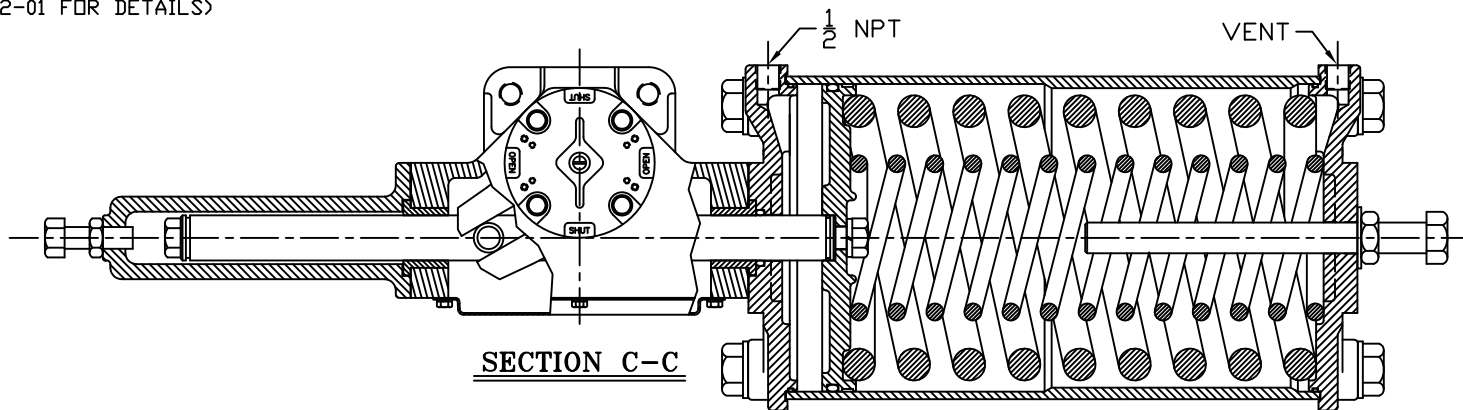
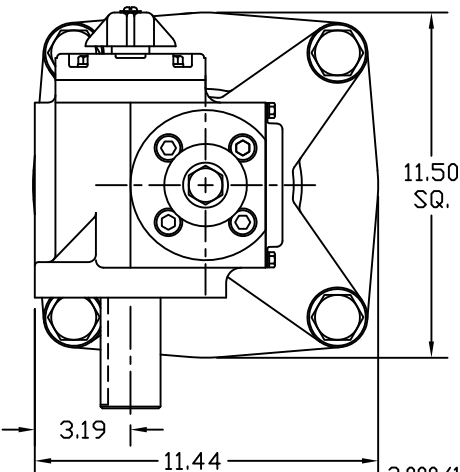
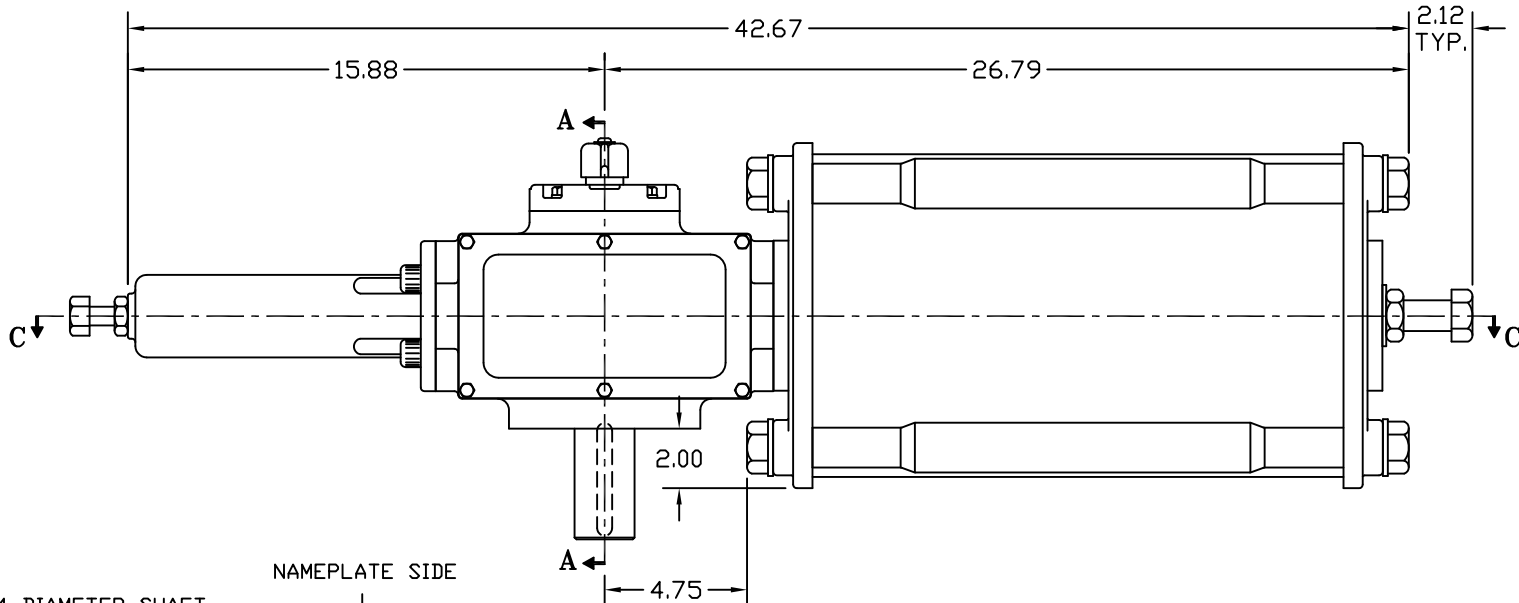


SECTION A-A

YOKE SHOWN AT MID-STROKE
POINTER OMITTED FOR CLARITY

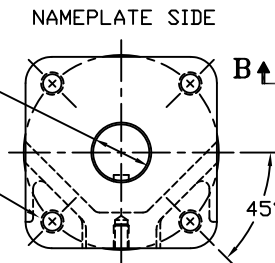


SECTION C-C



2.000/1.994 DIAMETER SHAFT
1/2 SQ. x 3.19 LONG KEYWAY
W/ .031 RADIUS INSIDE KEYWAY CORNERS
(TO BE USED W/ 1/2" X 3 3/16" KEY)

3/4-10 UNC TAP x 1.18 DEEP
(4) PLACES AS SHOWN ON
6.50 DIAMETER BOLT CIRCLE



VIEW B-B

ISO (F16) MOUNTING PATTERN

E	UPDATED SECTION A-A & HOUSING COVER TO CANTED	CAW		07/31/09
D	UPDATED VIEW B-B & SECTION A-A	CAW		02/15/07
C	UPDATED VIEW B-B	CAW		07/26/06
B	UPDATED HOUSING, SECTION A-A, VIEW B-B	BDC		8/13/04
REV	CHANGE	BY	CHK	APR
				DATE

MORIN® Birmingham, AL				
TITLE: MODEL B-210UC-S000 ACTUATOR				
DRAWN BY:	DATE:	CHECKER:	DATE:	APPROVAL: DATE:
BDC	2/17/03			
SCALE:	REVISION:	DRAWING NO.:		
HALF	E			
SHEET	DWG. SIZE:			
1 of 1	D	S25B048E		