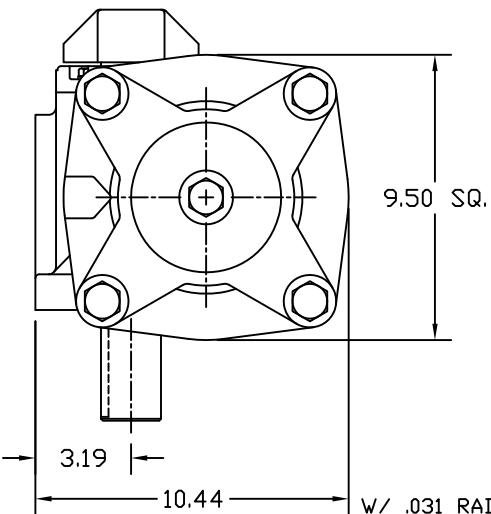


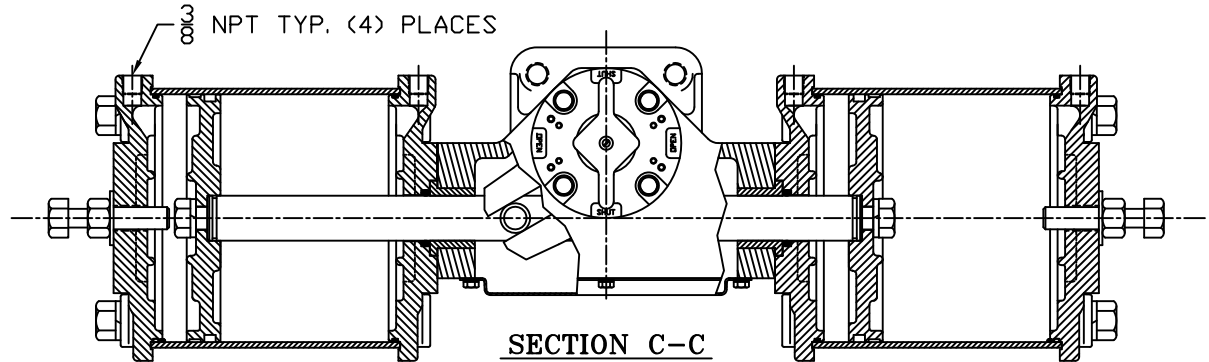
**SECTION A-A**

YOKE SHOWN AT MID-STROKE  
POINTER OMITTED FOR CLARITY

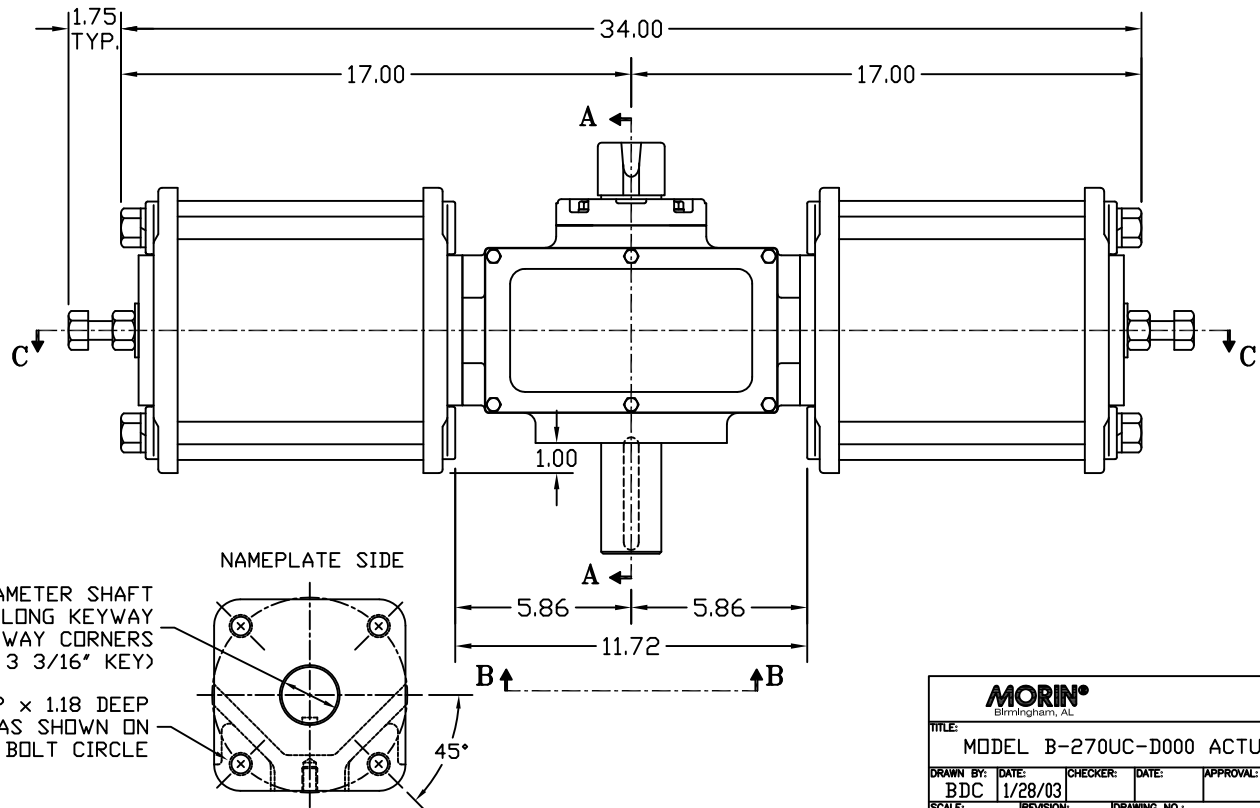


2.000/1.994 DIAMETER SHAFT  
1/2 SQ. x 3.19 LONG KEYWAY  
W/ .031 RADIUS INSIDE KEYWAY CORNERS  
(TO BE USED W/ 1/2" X 3 3/16" KEY)

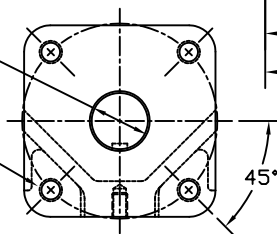
3/4-10 UNC TAP x 1.18 DEEP  
(4) PLACES AS SHOWN ON  
6.50 DIAMETER BOLT CIRCLE



**SECTION C-C**



NAMEPLATE SIDE



**VIEW B-B**

ISO (F16) MOUNTING PATTERN

REV	CHANGE	BY	CHK	APR	DATE
D	UPDATED SECTION A-A & HOUSING COVER TO CANTED	CAW			08/03/09
C	UPDATED VIEW B-B & SECTION A-A	CAW			02/15/07
B	UPDATED VIEW B-B	CAW			07/27/06

MORIN® Birmingham, AL					
TITLE: MODEL B-270UC-D000 ACTUATOR					
DRAWN BY:	DATE:	CHECKER:	DATE:	APPROVAL:	DATE:
BDC	1/28/03				
SCALE:	REVISION:	DRAWING NO.:			
HALF	D	S25B524D			
SHEET	DWG. SIZE:				
1 of 1	D				