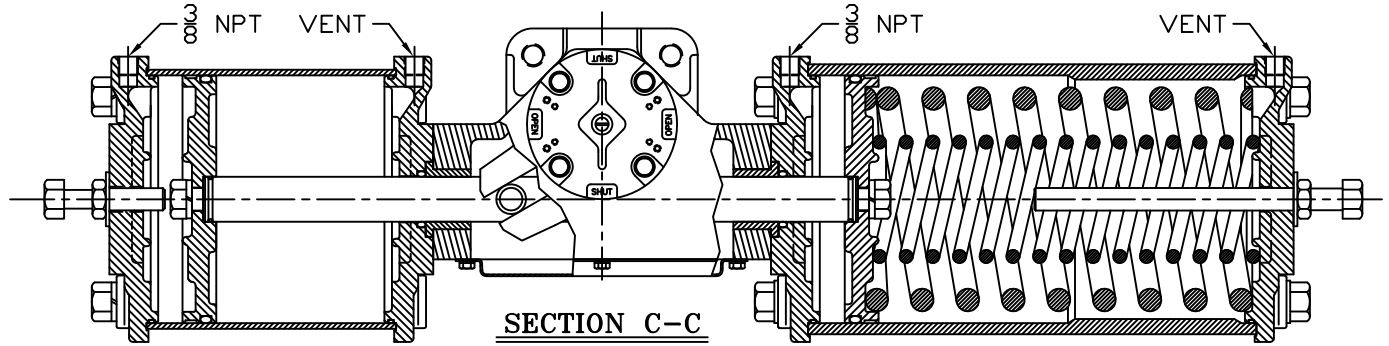
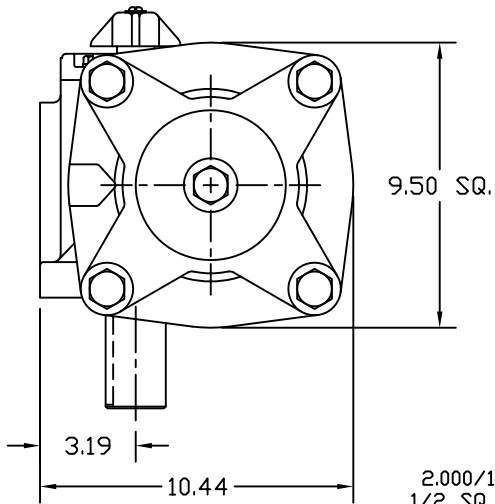


**SECTION A-A**

YOKE SHOWN AT MID-STROKE  
POINTER OMITTED FOR CLARITY

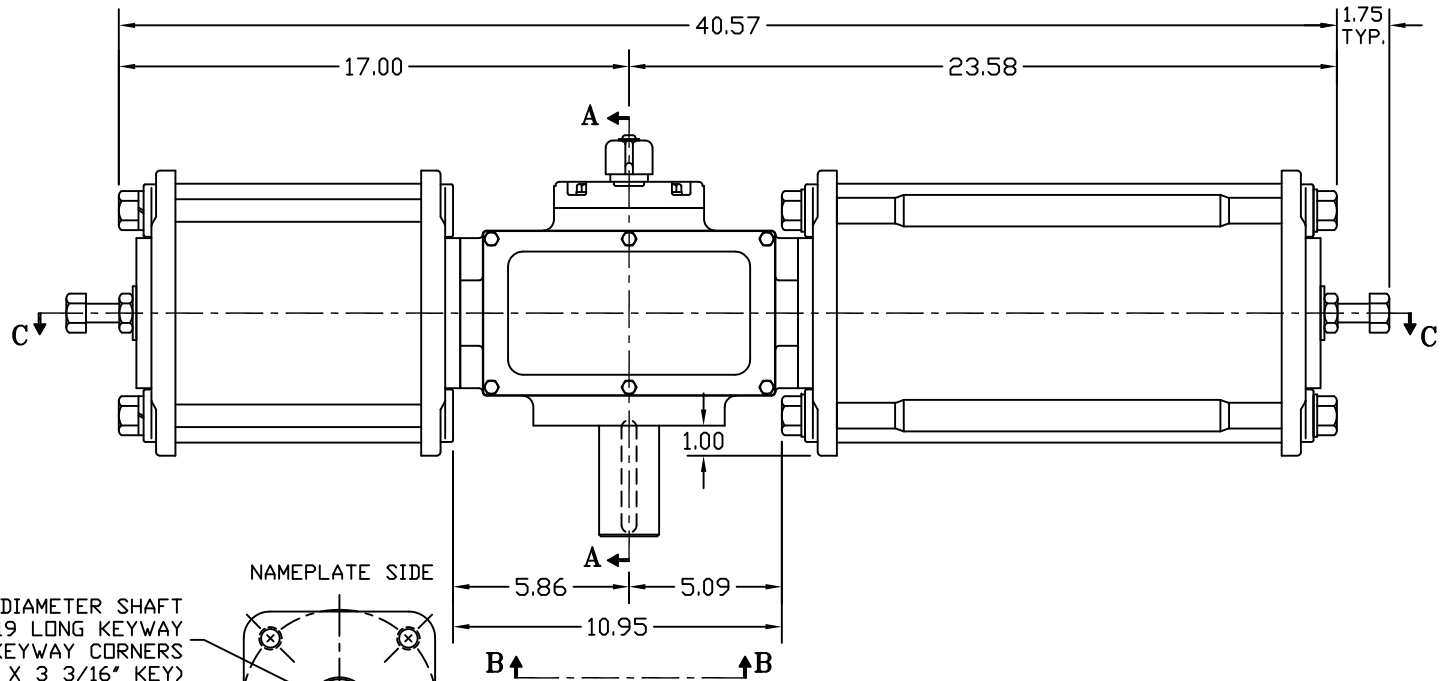


**SECTION C-C**

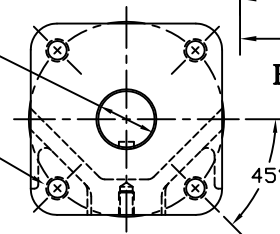


2.000/1.994 DIAMETER SHAFT  
1/2 SQ. x 3.19 LONG KEYWAY  
W/ .031 RADIUS INSIDE KEYWAY CORNERS  
(TO BE USED W/ 1/2" X 3 3/16" KEY)

3/4-10 UNC TAP x 1.18 DEEP  
(4) PLACES AS SHOWN ON  
6.50 DIAMETER BOLT CIRCLE



NAMEPLATE SIDE



**VIEW B-B**

ISO (F16) MOUNTING PATTERN

E	UPDATED SECTION A-A & HOUSING COVER TO CANTED	CAW		08/13/09
D	UPDATED VIEW B-B & SECTION A-A	CAW		02/15/07
C	UPDATED VIEW B-B	CAW		07/26/06
B	UPDATED HOUSING, SECTION A-A, VIEW B-B	BDC		8/16/04
REV	CHANGE	BY	CHK	APR
				DATE

<b>MORIN®</b> Birmingham, AL				
TITLE: MODEL B-270UC-S000 ACTUATOR				
DRAWN BY:	DATE:	CHECKER:	DATE:	APPROVAL: DATE:
BDC	2/14/03			
SCALE:	REVISION:	DRAWING NO.:		
HALF	E			
SHEET	DWG. SIZE:			
1 of 1	D	S25B049E		