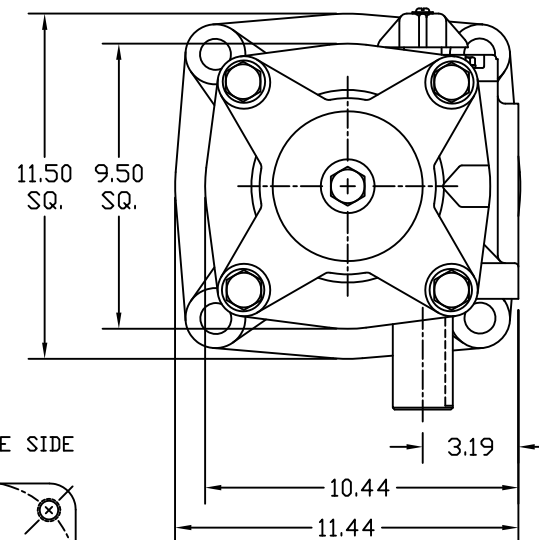
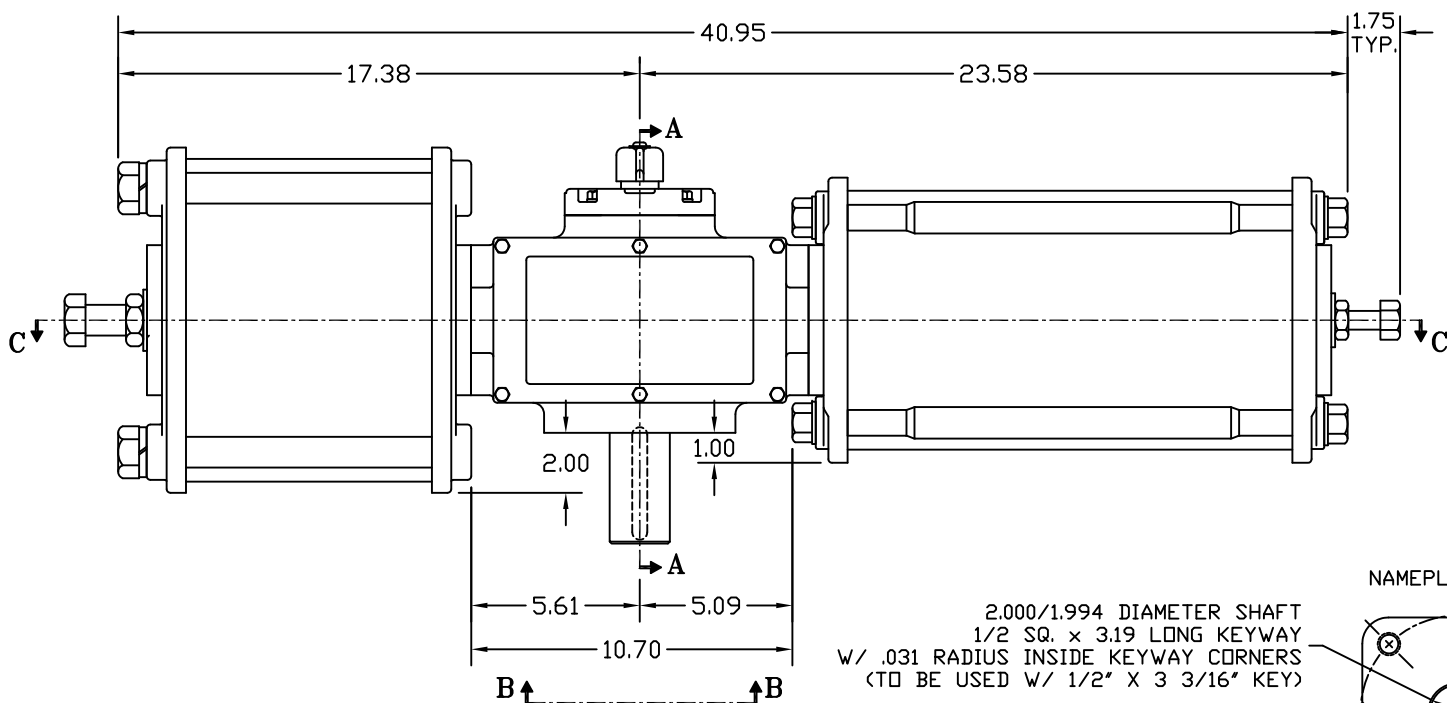
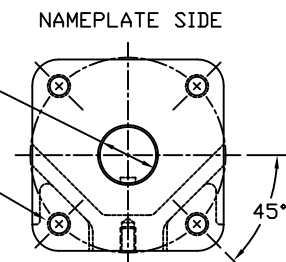


SECTION A-A
YOKE SHOWN AT MID-STROKE
POINTER OMITTED FOR CLARITY



2.000/1.994 DIAMETER SHAFT
1/2 SQ. x 3.19 LONG KEYWAY
W/ .031 RADIUS INSIDE KEYWAY CORNERS
(TO BE USED W/ 1/2" x 3 3/16" KEY)

3/4-10 UNC TAP x 1.18 DEEP
(4) PLACES AS SHOWN ON
6.50 DIAMETER BOLT CIRCLE



VIEW B-B
ISO (F16) MOUNTING PATTERN

MORIN® Birmingham, AL			
TITLE: MODEL B-344U-S000 ACTUATOR			
DRAWN BY:	DATE:	CHECKER:	DATE:
BDC	9/11/02		
SCALE:	REVISION:	DRAWING NO.:	
HALF	F		
SHEET	DWG. SIZE:		
1 of 1	D	S25B005F	

REV	CHANGE	BY	CHK	APR	DATE
F	UPDATED SECTION A-A & VIEW B-B	CAW			02/14/07
E	UPDATED VIEW B-B	CAW			07/26/06
D	UPDATED CYLINDER LENGTH TO CANTED	CAW			06/20/06
C	UPDATED HOUSING & POINTER	BDC			8/13/04
B	REVISED VIEW B-B & SECTION A-A	BDC			3/22/04