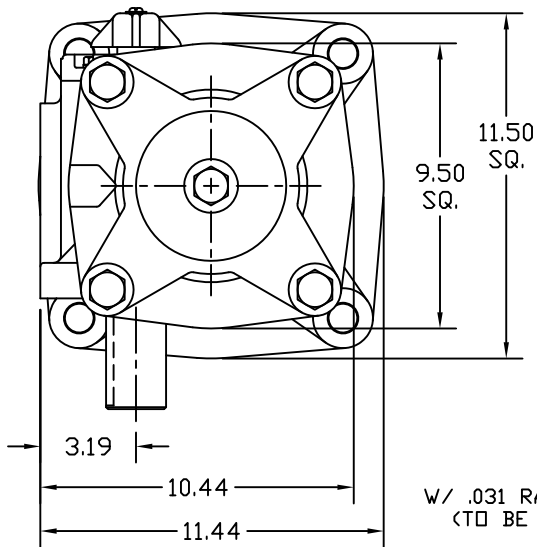


**SECTION A-A**

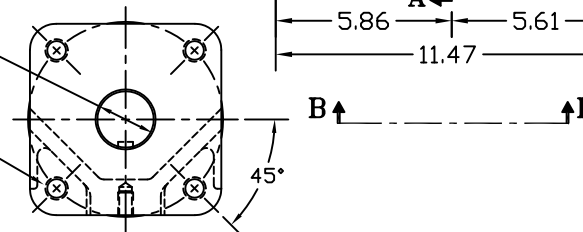
YOKE SHOWN AT MID-STROKE  
POINTER OMITTED FOR CLARITY



2.000/1.994 DIAMETER SHAFT  
1/2 SQ. x 3.19 LONG KEYWAY  
W/ .031 RADIUS INSIDE KEYWAY CORNERS  
(TO BE USED W/ 1/2" X 3 3/16" KEY)

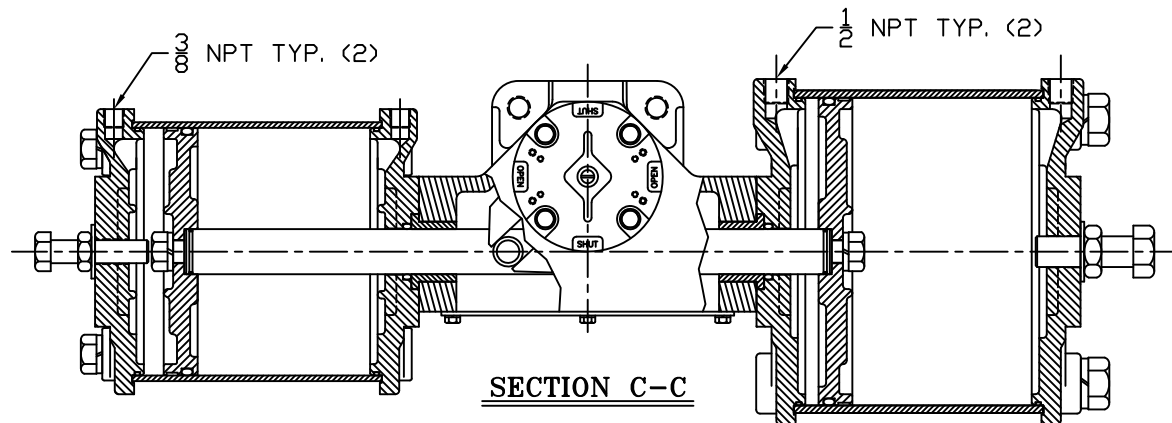
3/4-10 UNC TAP x 1.18 DEEP  
(4) PLACES AS SHOWN ON  
6.50 DIAMETER BOLT CIRCLE

NAMEPLATE SIDE



**VIEW B-B**

ISO (F16) MOUNTING PATTERN



**SECTION C-C**

E	UPDATED VIEW B-B & SECTION A-A	CAW			02/14/07
D	UPDATED VIEW B-B	CAW			07/27/06
C	UPDATED CYLINDER LENGTH TO CANTED	CAW			06/21/06
B	REVISED DETAIL SECTION A-A & VIEW B-B	BDC			
REV	CHANGE	BY	CHK	APR	DATE

<b>MORIN®</b> Birmingham, AL					
TITLE: MODEL B-345U-D000 ACTUATOR					
DRAWN BY:	DATE:	CHECKER:	DATE:	APPROVAL:	DATE:
BDC	9/11/02				
SCALE:	REVISION:	DRAWING NO.:			
HALF	E				
SHEET	DWG. SIZE:				
1 of 1	D	S25B505E			