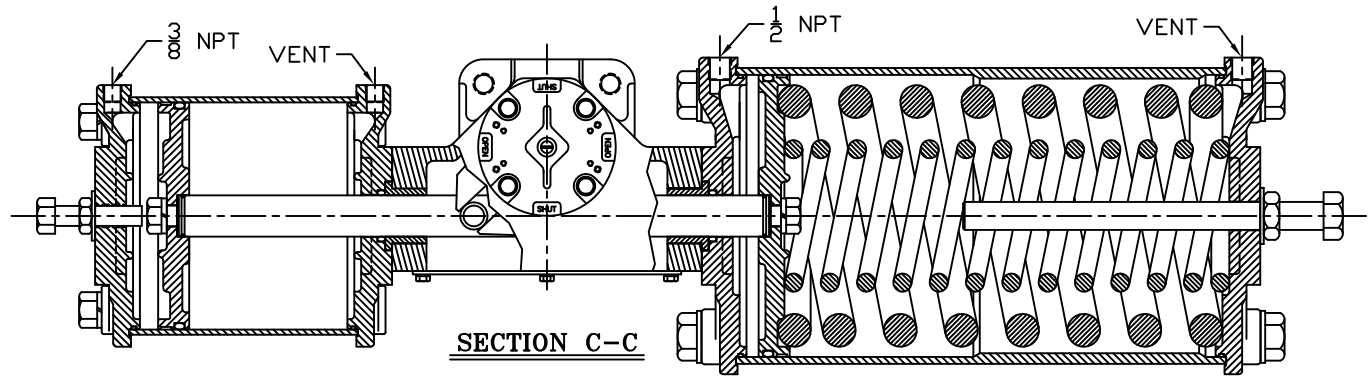
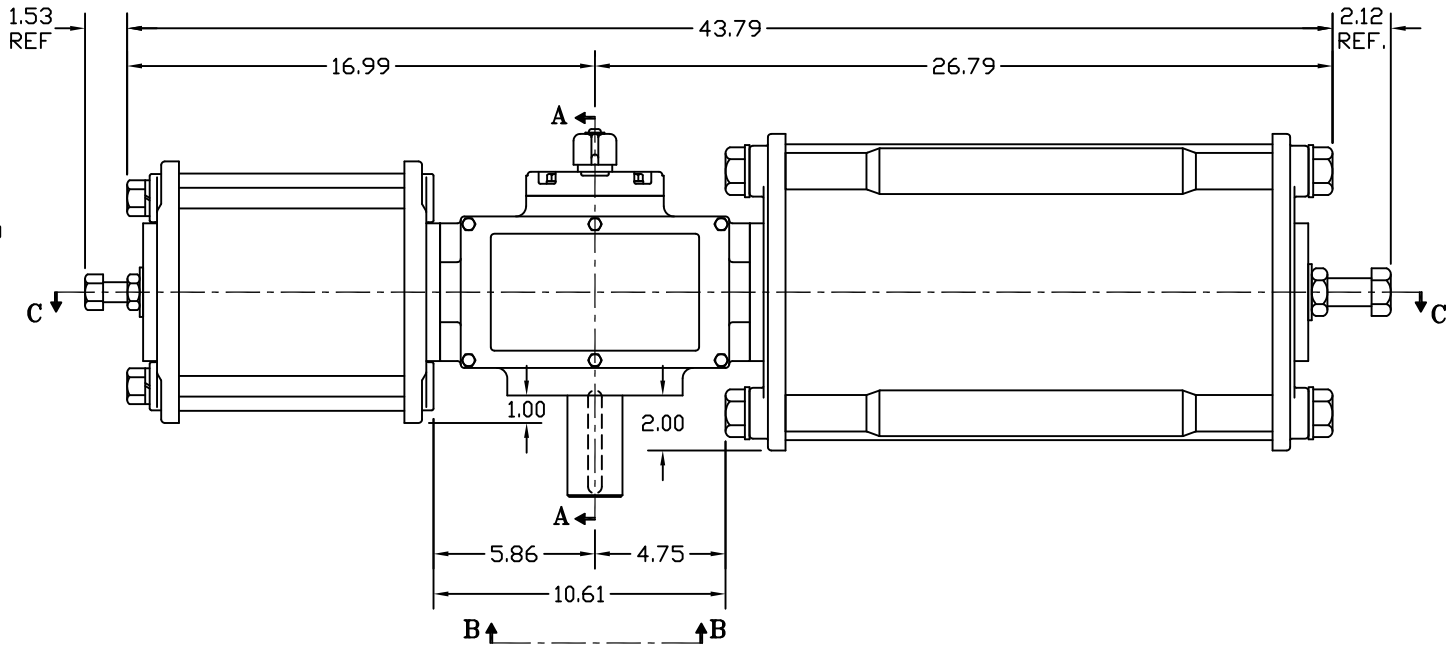
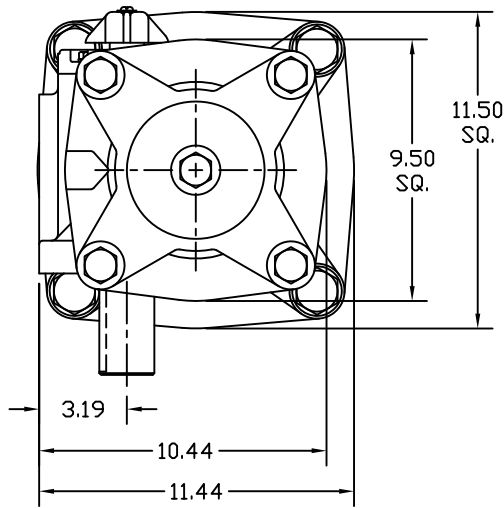


**SECTION A-A**

YOKE SHOWN AT MID-STROKE  
POINTER OMITTED FOR CLARITY

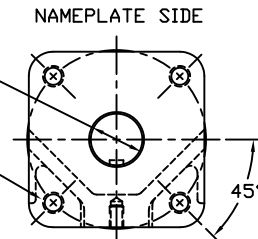


**SECTION C-C**



2.000/1.994 DIAMETER SHAFT  
1/2 SQ. x 3.19 LONG KEYWAY  
W/ .031 RADIUS INSIDE KEYWAY CORNERS  
(TO BE USED W/ 1/2" x 3 3/16" KEY)

3/4-10 UNC TAP x 1.18 DEEP  
(4) PLACES AS SHOWN ON  
6.50 DIAMETER BOLT CIRCLE



**VIEW B-B**  
ISO (F16) MOUNTING PATTERN

F	UPDATED SECTION A-A & VIEW B-B	CAW		10/14/07
E	UPDATED VIEW B-B	CAW		07/26/06
D	UPDATED CYLINDER LENGTH TO CANTED	CAW		06/20/06
C	UPDATED HOUSING & POINTER	BDC		8/13/04
B	REVISED SECTION A-A & VIEW B-B	BDC		3/30/04
REV	CHANGE	BY	CHK	APR DATE

<b>MORIN</b> Birmingham, AL			
TITLE: MODEL B-345U-S000 ACTUATOR			
DRAWN BY:	DATE:	CHECKER:	DATE:
BDC	9/12/02		
SCALE:	REVISION:	DRAWING NO.:	
1 : 1.75	F		
SHEET	DWG. SIZE:		
1 of 1	E	S25B006F	