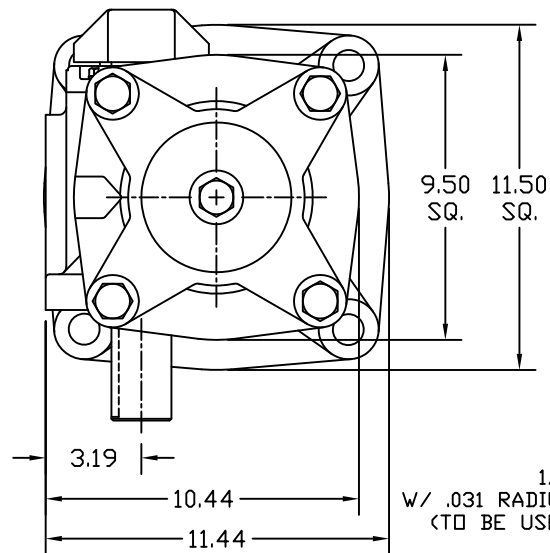


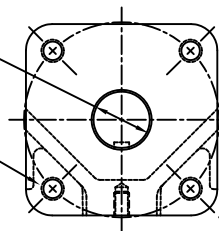
SECTION A-A
YOKE SHOWN AT MID-STROKE
POINTER OMITTED FOR CLARITY



2.000/1.994 DIAMETER SHAFT
1/2 SQ. x 3.19 LONG KEYWAY
W/ .031 RADIUS INSIDE KEYWAY CORNERS
(TO BE USED W/ 1/2" x 3 3/16" KEY)

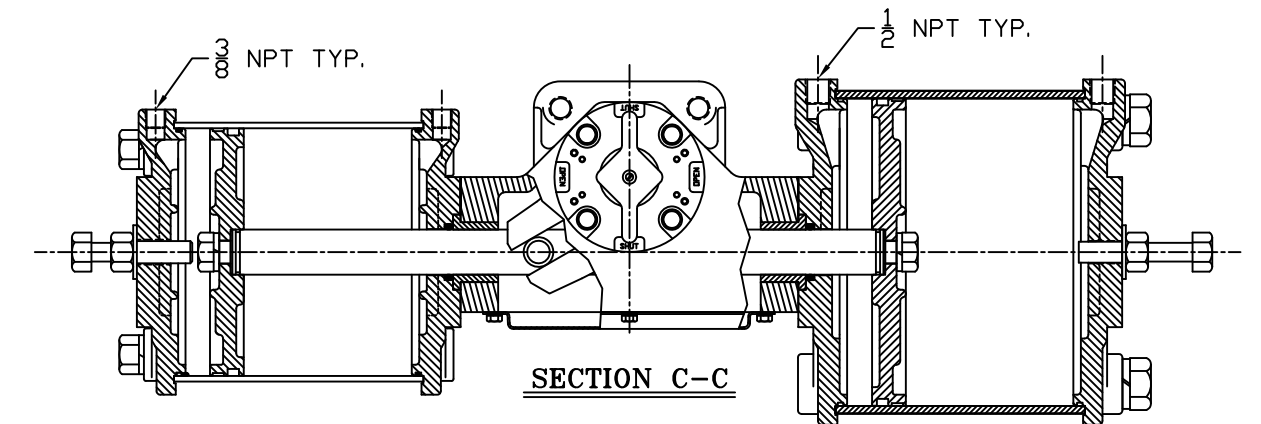
3/4-10 UNC TAP x 1.18 DEEP
(4) PLACES AS SHOWN ON
6.50 DIAMETER BOLT CIRCLE

NAMEPLATE SIDE

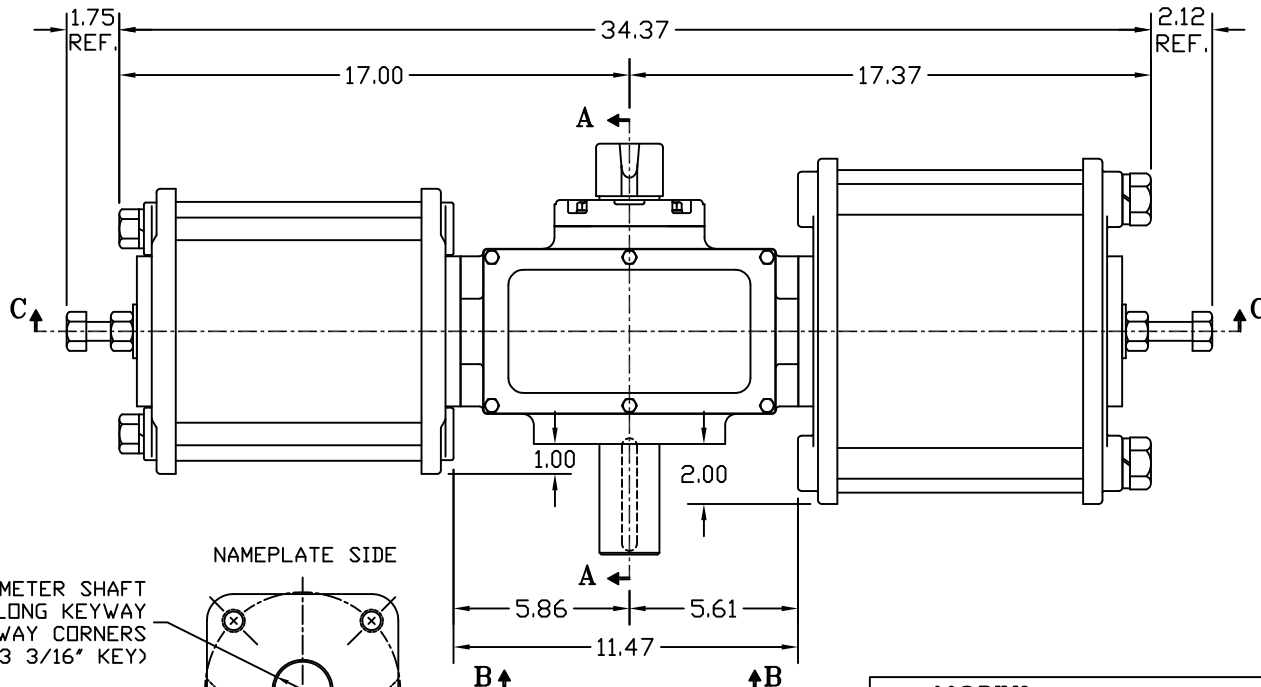


VIEW B-B

ISO (F16) MOUNTING PATTERN



SECTION C-C



MORIN®
Birmingham, AL

TITLE: MODEL B-345UC-D000 ACTUATOR

DRAWN BY: DATE: CHECKER: DATE: APPROVAL: DATE:

BDC 1/28/03

SCALE: HALF SHEET REVISION: D DRAWING NO.:

1 of 1 DWG. SIZE: D S25B525D

REV	CHANGE	BY	CHK	APR	DATE
D	UPDATED SECTION A-A & HOUSING COVER TO CANTED	CAW			08/03/09
C	UPDATED SECTION A-A & VIEW B-B	CAW			02/15/07
B	UPDATED VIEW A-A & VIEW B-B	CAW			07/11/06