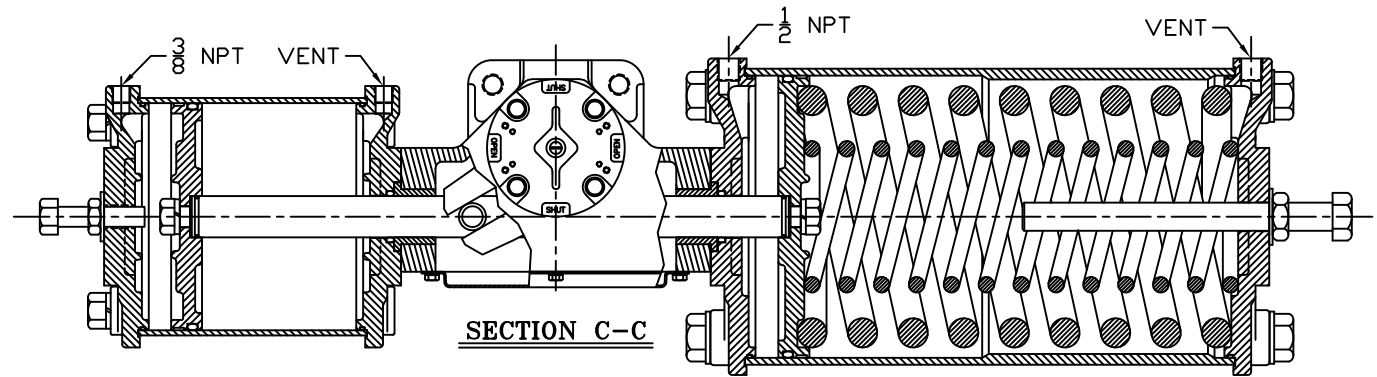
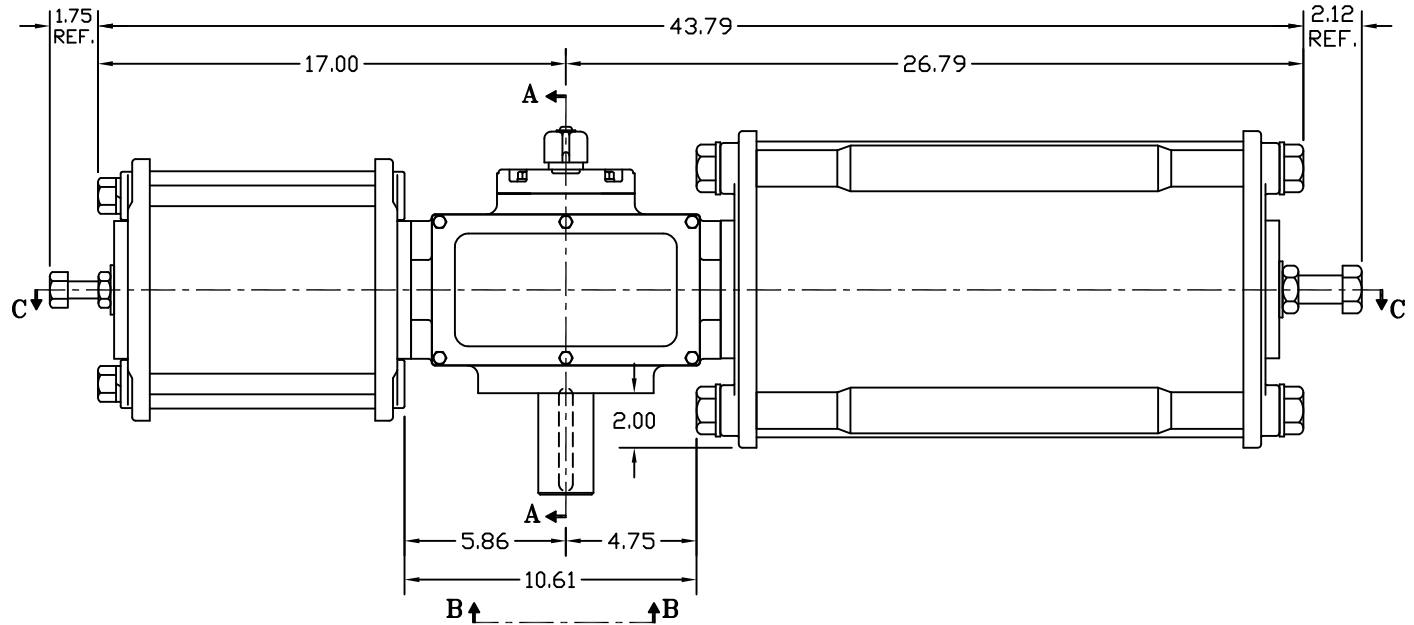
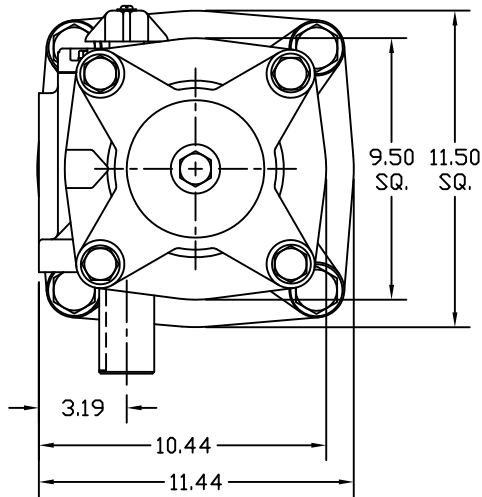


**SECTION A-A**

YOKE SHOWN AT MID-STROKE  
POINTER OMITTED FOR CLARITY



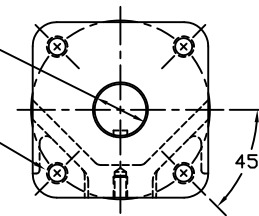
**SECTION C-C**



NAMEPLATE SIDE

2.000/1.994 DIAMETER SHAFT  
1/2 SQ. x 3.19 LONG KEYWAY  
W/ .031 RADIUS INSIDE KEYWAY CORNERS  
(TO BE USED W/ 1/2" X 3 3/16" KEY)

3/4-10 UNC TAP x 1.18 DEEP  
(4) PLACES AS SHOWN ON  
6.50 DIAMETER BOLT CIRCLE



**VIEW B-B**

ISO (F16) MOUNTING PATTERN

<b>MORIN</b> Birmingham, AL			
TITLE: MODEL B-345UC-S000 ACTUATOR			
DRAWN BY: BDC	DATE: 2/17/03	CHECKER: E	DATE: 2/17/03
SCALE: 1 : 1.75	REVISION: E	DRAWING NO.:	
SHEET 1 of 1	DWG. SIZE: E	S25B051E	

REV	DESCRIPTION	BY	CHK	APR	DATE
E	UPDATED SECTION A-A & HOUSING COVER TO CANTED	CAW			10/12/05
D	UPDATED VIEW B-B & SECTION A-A	CAW			12/15/07
C	UPDATED VIEW B-B	CAW			07/26/06
B	UPDATED HOUSING, SECTION A-A, VIEW B-B	BDC			8/17/04
	CHANGE				