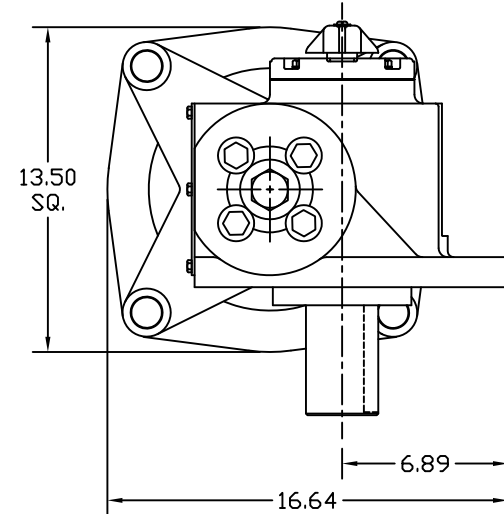
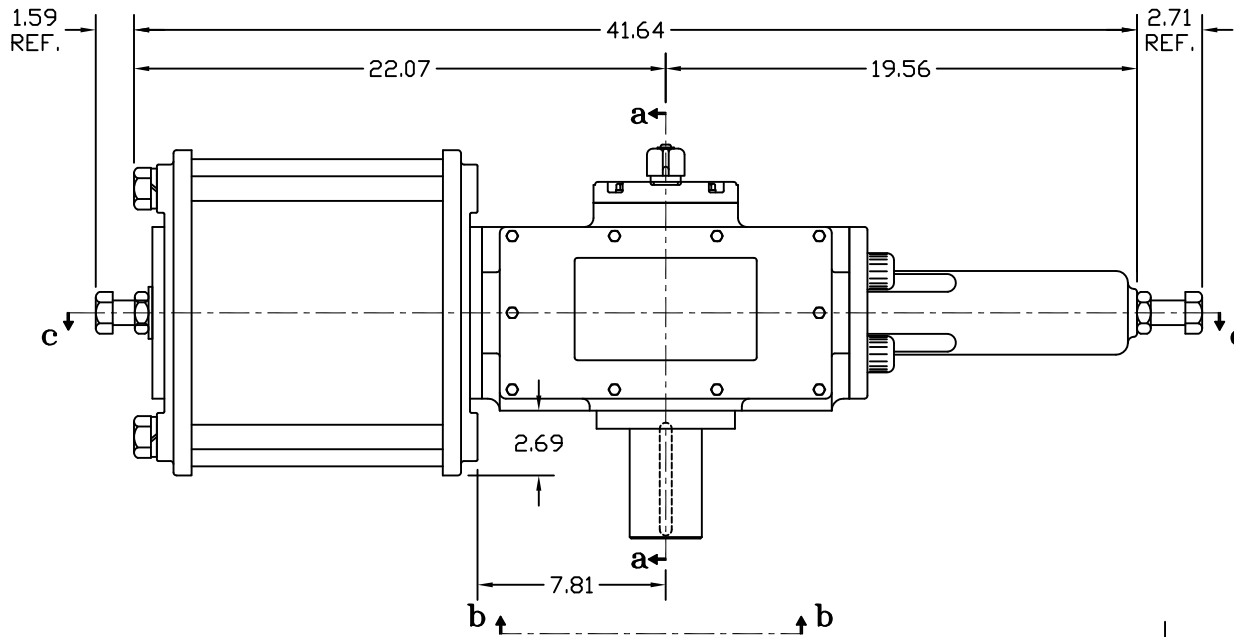
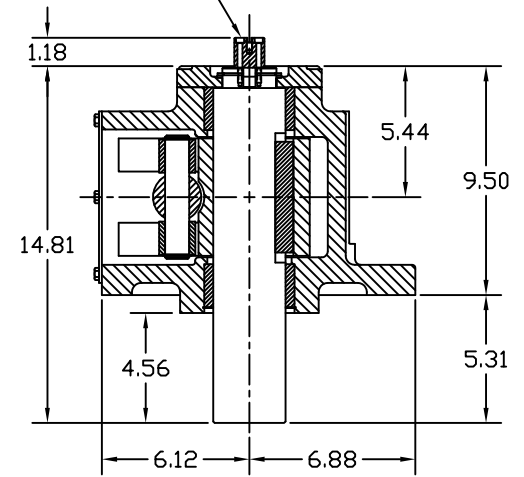
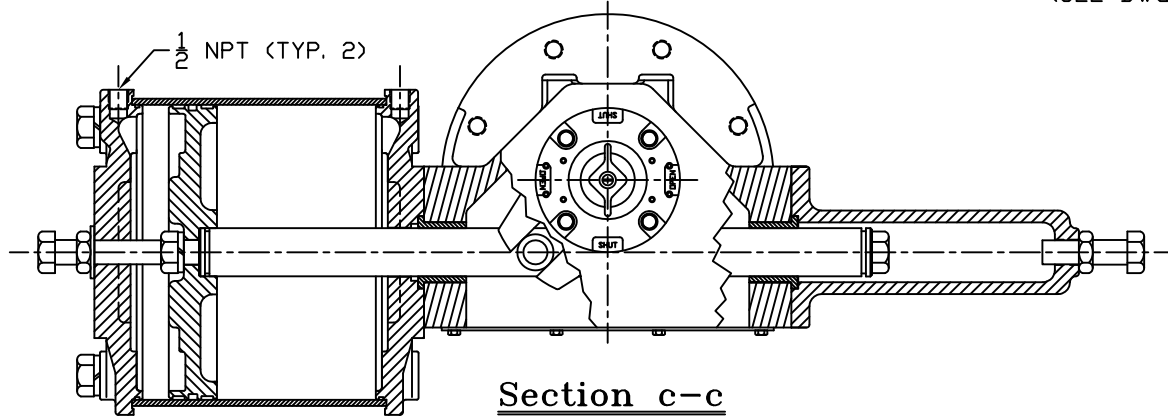
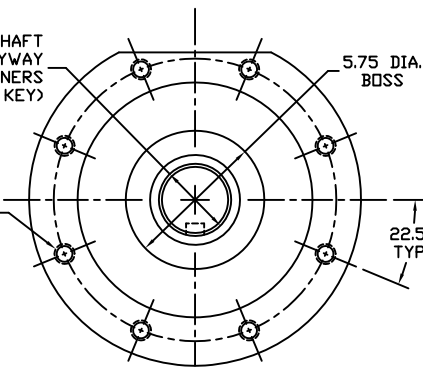


NAMUR POINTER ADAPTER  
(SEE DWG. S01-02-01 FOR DETAILS)



3.000/2.994 DIAMETER SHAFT  
3/4 SQ. x 3.88 LONG KEYWAY  
W/ .031 RADIUS INSIDE KEYWAY CORNERS  
(TO BE USED W/ 3/4" x 3 13/16" KEY)

3/4-10 UNC TAP x 1.18 DEEP  
(8) PLACES AS SHOWN ON  
11.73 DIAMETER BOLT CIRCLE



View b-b

ISO F30 MOUNTING PATTERN

**MORIN**  
www.morinact.com

Morin Actuator  
110 Commerce Drive  
Pelham, Alabama, U.S.A. 35124  
(205) 662-9533

MODEL B-370U-D000 ACTUATOR

DRAWN BY:	DATE:	CHECKED:	DATE:	APPROVED:	DATE:
BDC	1/10/01				
SCALE:	REVISION:	DRAWING NO.:			
HALF	F				
SHEET	DWG. SIZE:				
1 of 1	E	S30B501F			

F	UPDATED VIEW B-B	CAW		11/22/13
E	UPDATED VIEW B-B & SECTION A-A	CAW		12/11/17
D	UPDATED VIEW B-B	CAW		07/11/16
C	UPDATED CYLINDER LENGTH TO CANTED	CAW		16/21/16
B	UPDATED VIEW B-B & SECTION A-A	BDC		1/28/15
REV	CHANGE	BY	CHK	APR
				DATE