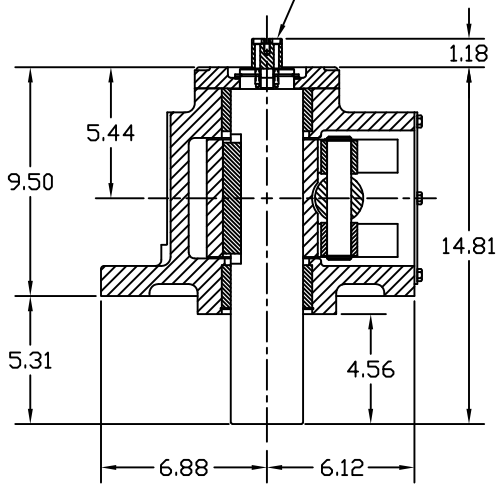
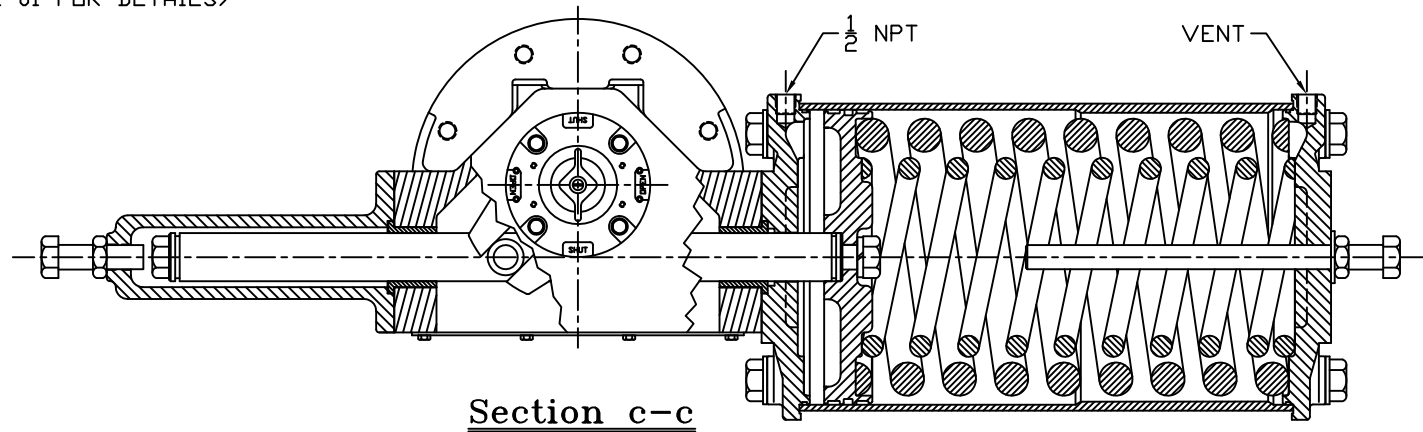


NAMUR POINTER ADAPTER  
(SEE DWG. S01-02-01 FOR DETAILS)

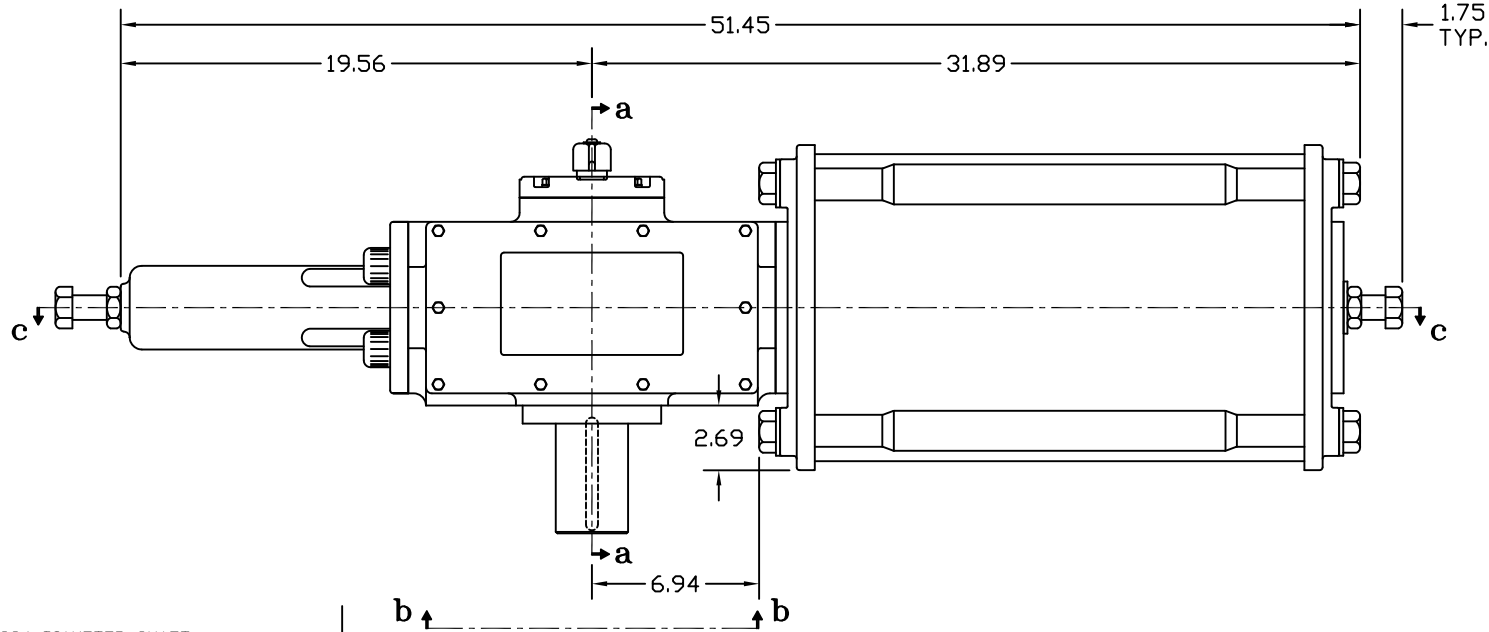
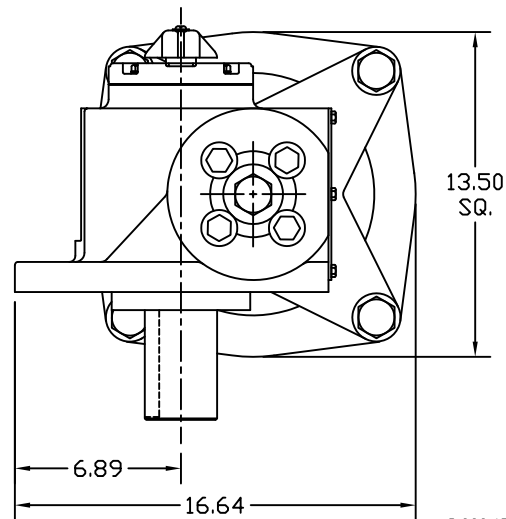


**Section a-a**

YOKE SHOWN AT MID-STROKE  
POINTER OMITTED FOR CLARITY

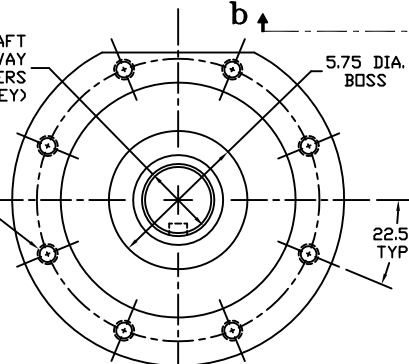


**Section c-c**



3.000/2.994 DIAMETER SHAFT  
3/4 SQ. x 3.88 LONG KEYWAY  
W/ .031 RADIUS INSIDE KEYWAY CORNERS  
(TO BE USED W/ 3/4" X 3 13/16" KEY)

3/4-10 UNC TAP x 1.18 DEEP  
(8) PLACES AS SHOWN ON  
11.73 DIAMETER BOLT CIRCLE



**View b-b**

ISO F30 MOUNTING PATTERN

**MORIN**  
Morph Actuator  
110 Commerce Drive  
Pelham, Alabama, U.S.A. 35124  
(205) 662-9533  
www.morinact.com

**MODEL B-370U-S000 ACTUATOR**

DRAWN BY:	DATE:	CHECKED:	DATE:	APPROVED:	DATE:
BDC	1/15/01				
SCALE:	REVISION:	DRAWING NO.:			
HALF	E	S30B001E			
SHEET	DWG. SIZE:				
1 of 1	E				

E	UPDATED VIEW B-B	CAW		10/29/13
D	UPDATED SECTION A-A & VIEW B-B	CAW		12/14/17
C	UPDATED VIEW B-B	CAW		07/10/16
B	UPDATED VIEW B-B & SECTION A-A	BDC		1/24/15
REV	CHANGE	BY	CHK	APR DATE