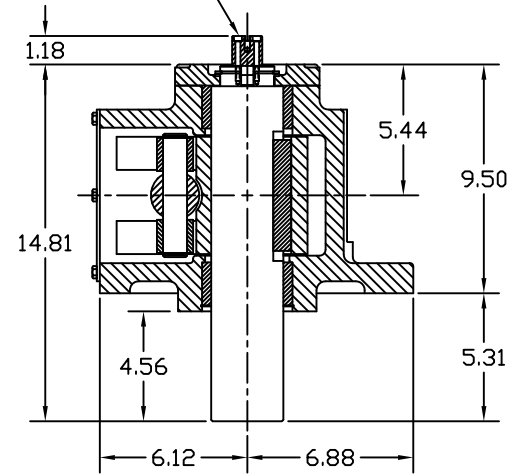
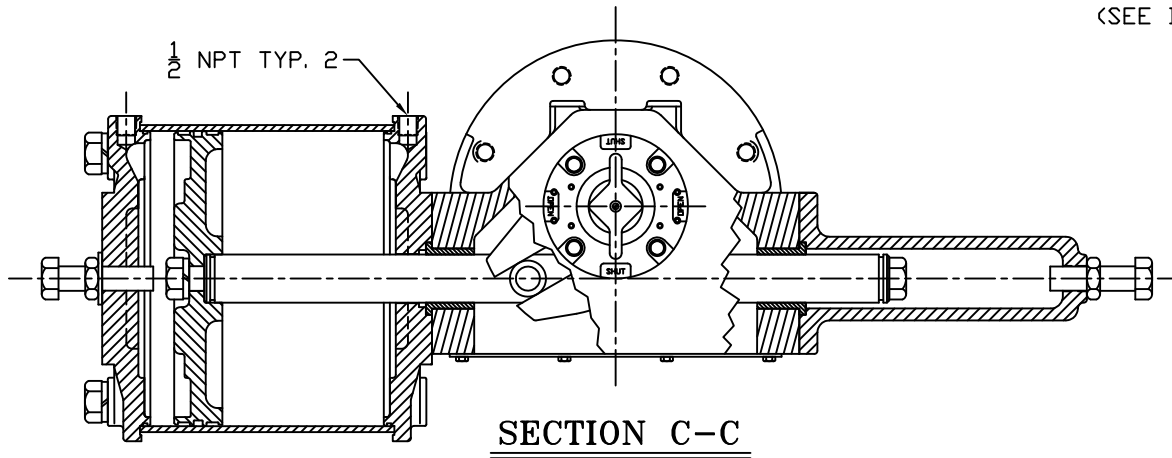
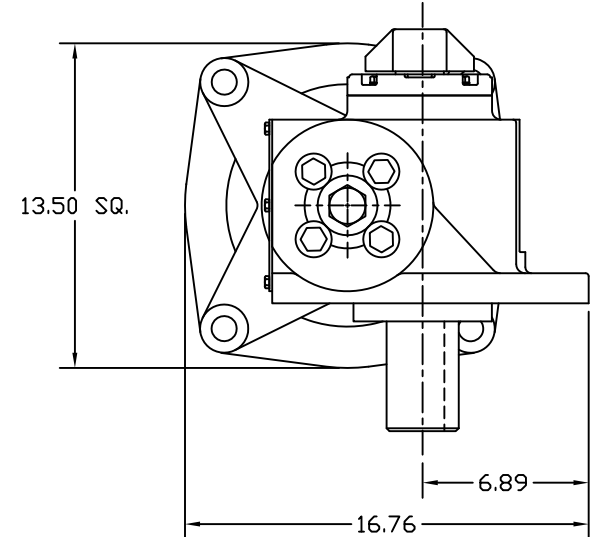
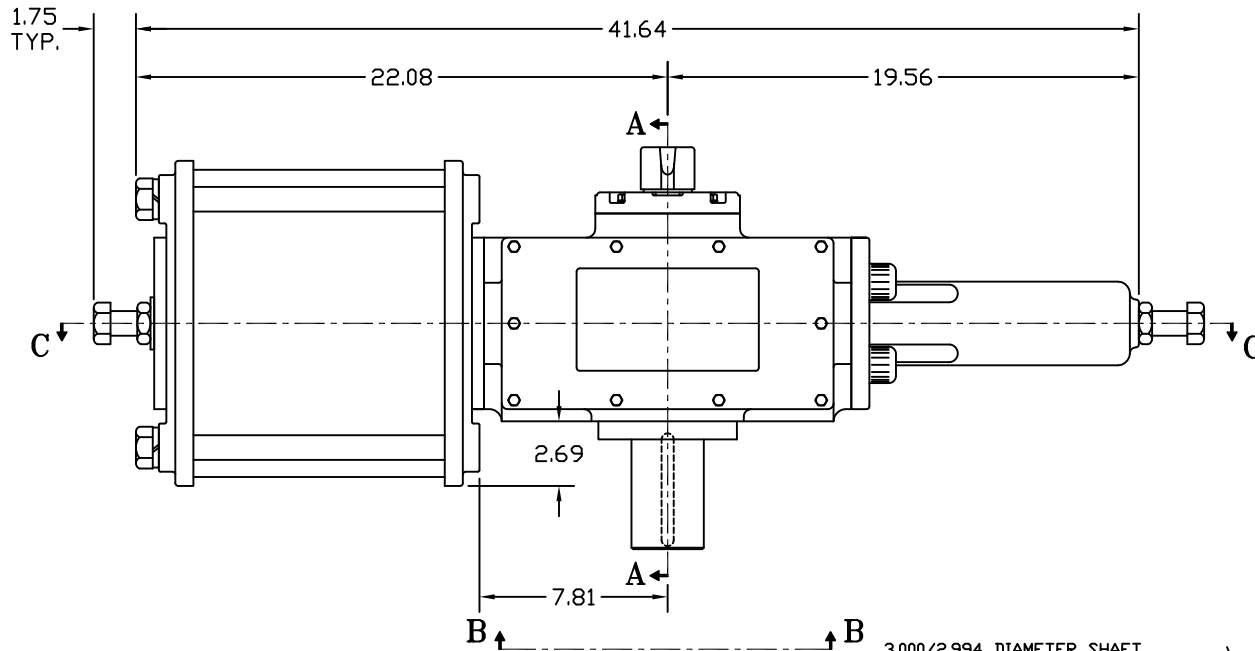


NAMUR POINTER ADAPTER  
 (SEE DWG. S01-02-01 FOR DETAILS)

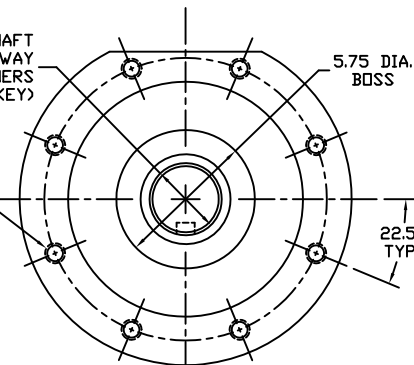


**SECTION A-A**  
 YOKE SHOWN AT MID-STROKE  
 POINTER OMITTED FOR CLARITY



3.000/2.994 DIAMETER SHAFT  
 3/4 SQ. x 3.88 LONG KEYWAY  
 W/ .031 RADIUS INSIDE KEYWAY CORNERS  
 (TO BE USED W/ 3/4" X 3 13/16" KEY)

3/4-10 UNC TAP x 1.18 DEEP  
 (8) PLACES AS SHOWN ON  
 11.73 DIAMETER BOLT CIRCLE



**View b-b**

ISO F30 MOUNTING PATTERN

REV	CHANGE	BY	CHK	APR	DATE
D	UPDATED VIEW B-B	CAW			04/22/13
C	UPDATED SECTION A-A & VIEW B-B	CAW			02/27/07
B	UPDATED VIEW A-A & VIEW B-B	CAW			07/11/06

<b>MORIN</b> Birmingham, AL					
TITLE: MODEL B-370UC-D000 ACTUATOR					
DRAWN BY:	DATE:	CHECKER:	DATE:	APPROVAL:	DATE:
BDC	1/29/03				
SCALE:	REVISION:	DRAWING NO.:			
HALF	D	S30B515D			
SHEET	DWG. SIZE:				
1 of 1	E				