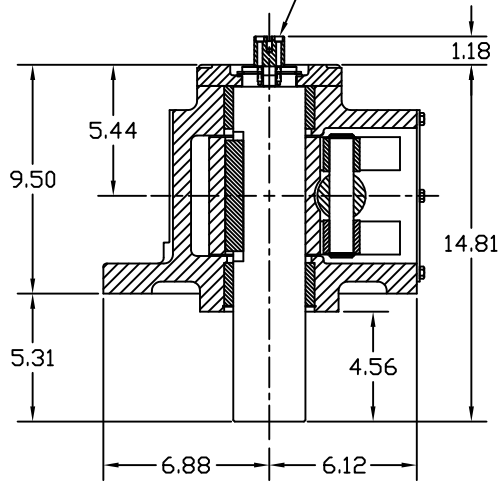
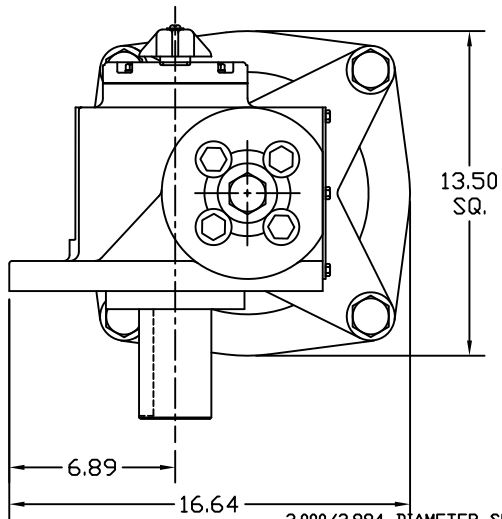


NAMUR POINTER ADAPTER
(SEE DWG. S01-02-01 FOR DETAILS)



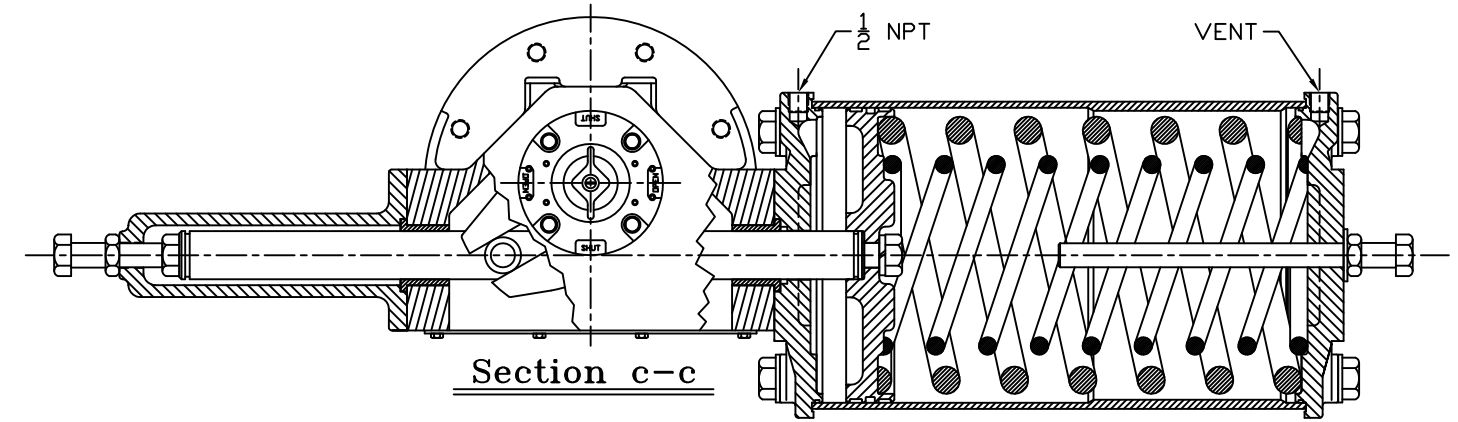
Section a-a

YOKE SHOWN AT MID-STROKE
POINTER OMITTED FOR CLARITY

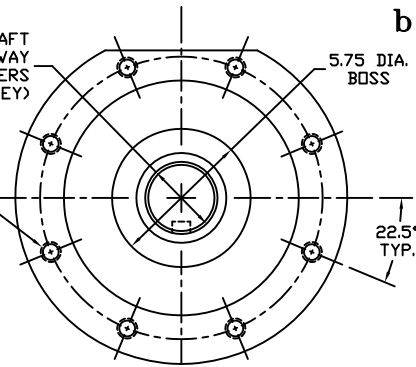
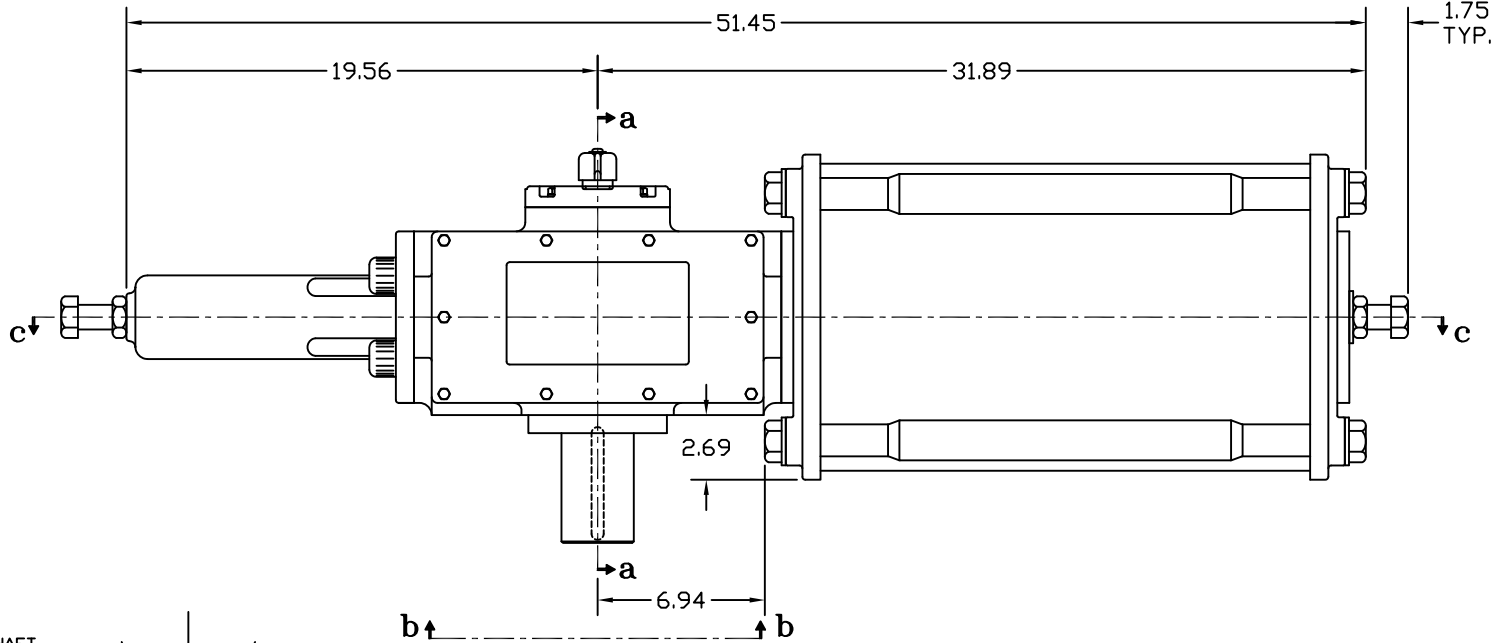


3.000/2.994 DIAMETER SHAFT
3/4 SQ. x 3.88 LONG KEYWAY
W/ .031 RADIUS INSIDE KEYWAY CORNERS
(TO BE USED W/ 3/4" x 3 13/16" KEY)

3/4-10 UNC TAP x 1.18 DEEP
(8) PLACES AS SHOWN ON
11.73 DIAMETER BOLT CIRCLE



Section c-c



View b-b
ISO F30 MOUNTING PATTERN

| | | | | |
|-----|--------------------------------|-----|-----|----------|
| E | UPDATED VIEW B-B | CAW | | 04/20/13 |
| D | UPDATED VIEW B-B & SECTION A-A | CAW | | 02/15/07 |
| C | UPDATED VIEW B-B | CAW | | 07/01/06 |
| B | UPDATED VIEW B-B & SECTION A-A | BDC | | 1/26/05 |
| REV | CHANGE | BY | CHK | APR DATE |

| | | | |
|------------------------------------|------------|---|-------|
| MORIN www.morinact.com | | Morin Actuator 110 Commerce Drive Pelham, Alabama, U.S.A. 35124 (205) 662-9533 | |
| MODEL B-370UC-S000 ACTUATOR | | | |
| DRAWN BY: | DATE: | CHECKED: | DATE: |
| BDC | 1/30/03 | | |
| SCALE: | REVISION: | DRAWING NO.: | |
| HALF | E | S30B035E | |
| SHEET | DWG. SIZE: | | |
| 1 of 1 | E | | |