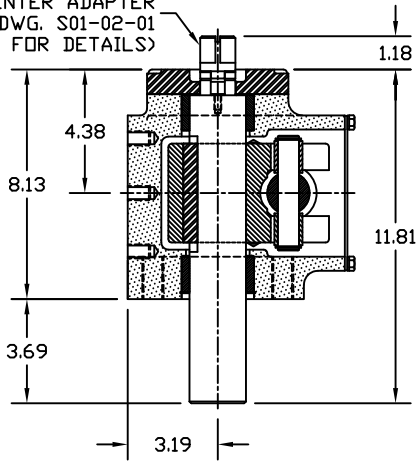
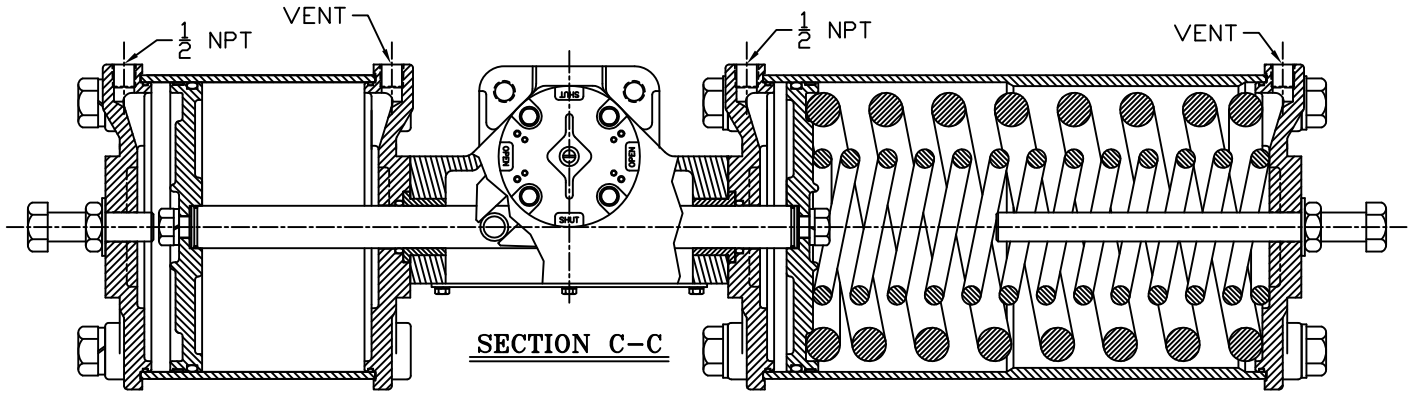
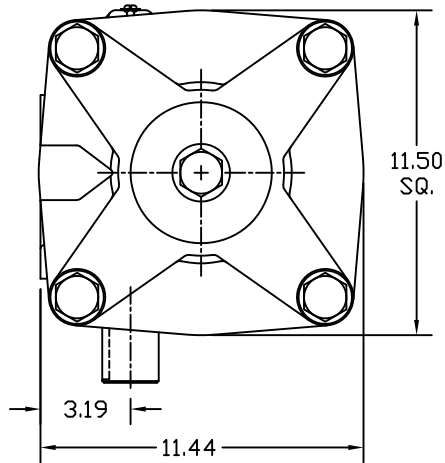


NAMUR POINTER ADAPTER
(SEE DWG. S01-02-01
FOR DETAILS)

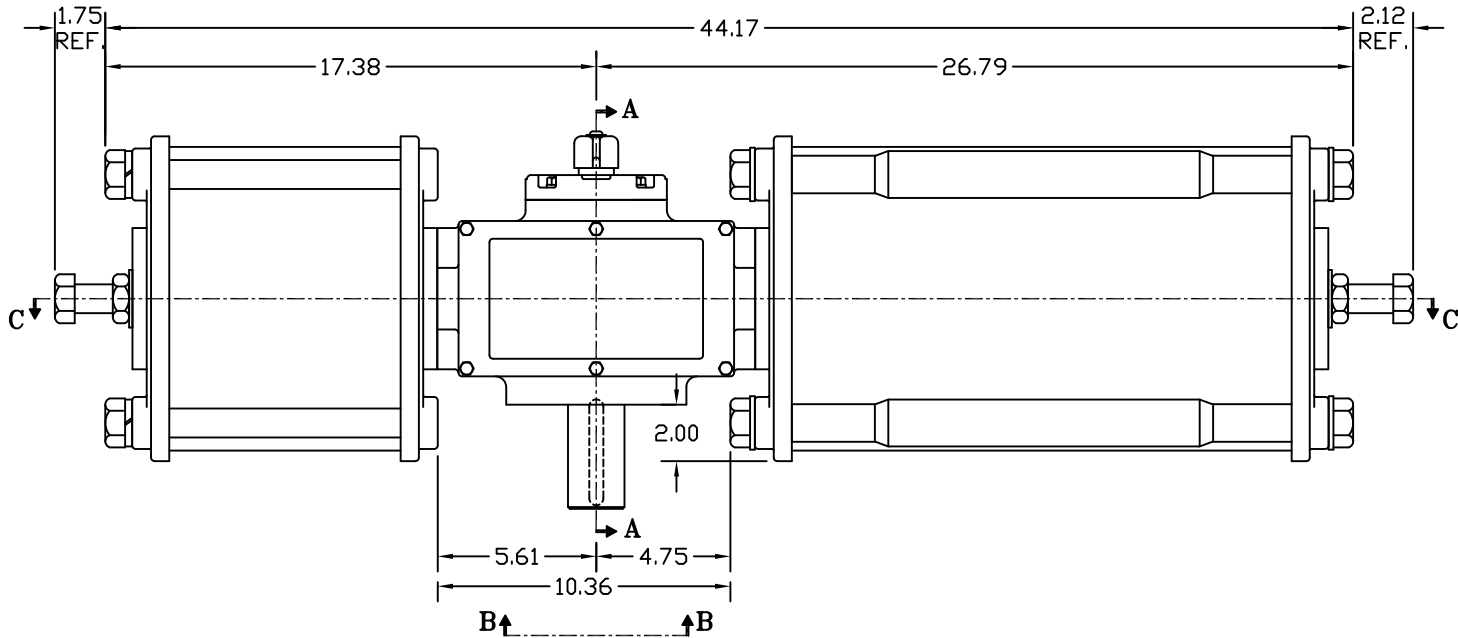


SECTION A-A

YOKE SHOWN AT MID-STROKE
POINTER OMITTED FOR CLARITY



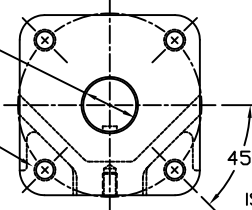
SECTION C-C



2.000/1.994 DIAMETER SHAFT
1/2 SQ. x 3.19 LONG KEYWAY
W/ .031 RADIUS INSIDE KEYWAY CORNERS
(TO BE USED W/ 1/2" X 3 3/16" KEY)

NAMEPLATE SIDE

3/4-10 UNC TAP x 1.18 DEEP
(4) PLACES AS SHOWN ON
6.50 DIAMETER BOLT CIRCLE



VIEW B-B

ISO (F16) MOUNTING PATTERN

F	UPDATED SECTION A-A & VIEW B-B	CAW		02/14/07
E	UPDATED VIEW B-B	CAW		07/26/06
D	UPDATED CYLINDER LENGTH TO CANTED	CAW		06/20/06
C	UPDATED HOUSING & POINTER	BDC		8/13/04
B	REVISED SECTION A-A & VIEW B-B	BDC		3/23/04
REV	CHANGE	BY	CHK	APR
				DATE

MORIN® Birmingham, AL				
TITLE: MODEL B-420U-S000 ACTUATOR				
DRAWN BY:	DATE:	CHECKER:	DATE:	APPROVAL: DATE:
BDC	1/16/01			
SCALE:	REVISION:	DRAWING NO.:		
HALF	F			
SHEET	DWG. SIZE:			
1 of 1	D	S25B004F		