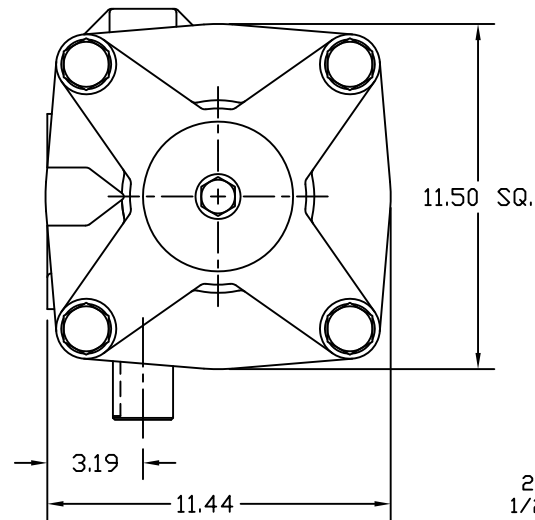
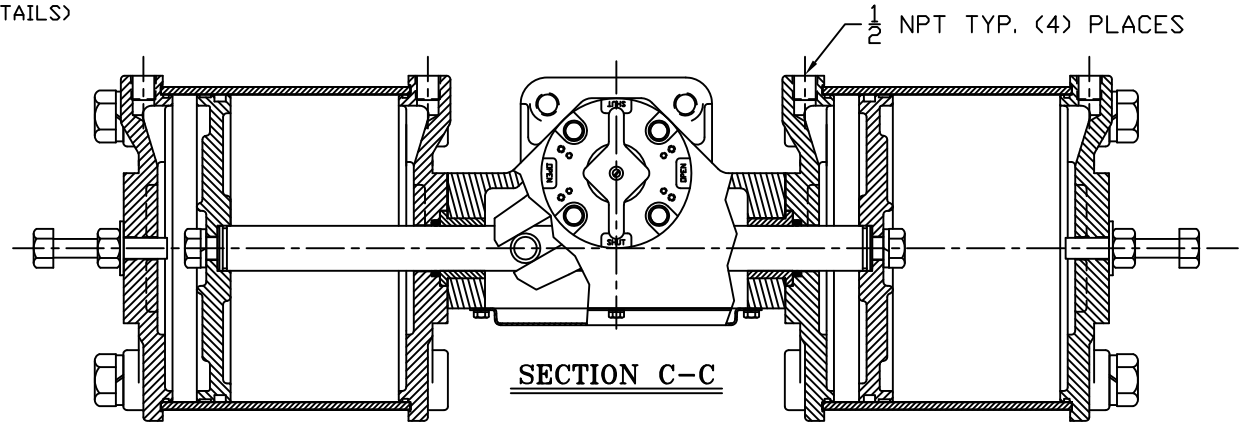


SECTION A-A
YOKE SHOWN AT MID-STROKE
POINTER OMITTED FOR CLARITY

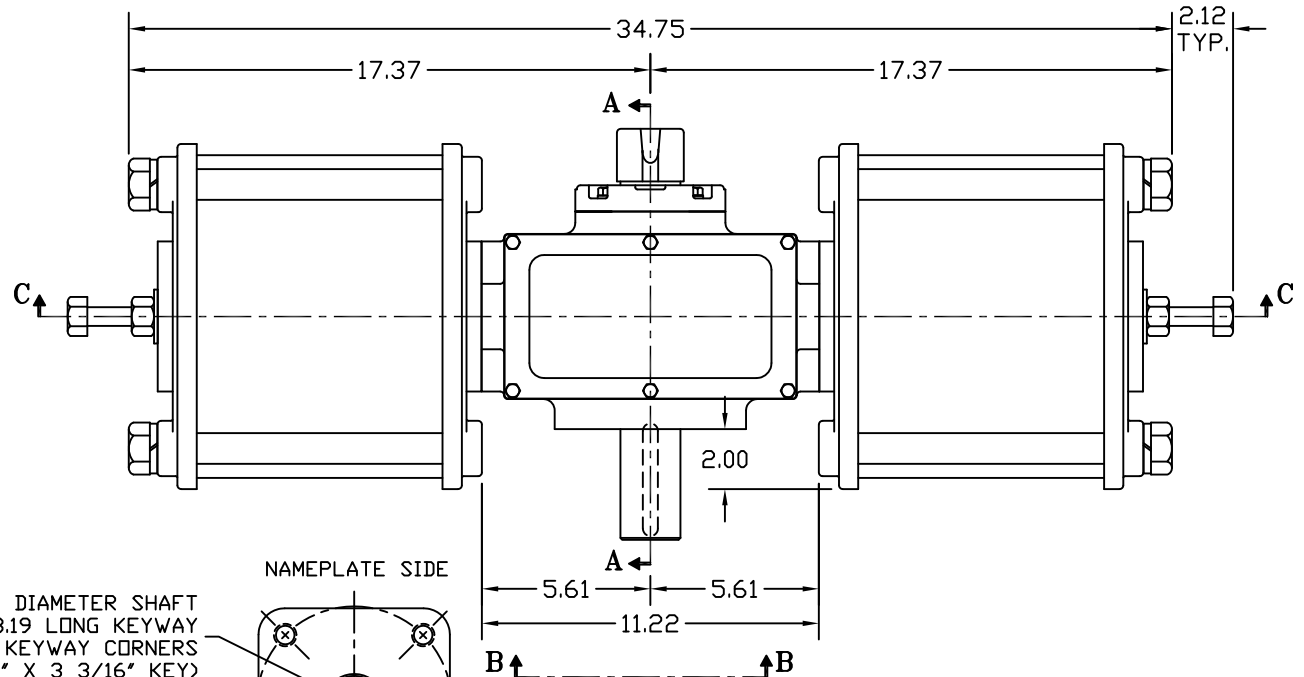


2.000/1.994 DIAMETER SHAFT
1/2 SQ. x 3.19 LONG KEYWAY
W/ .031 RADIUS INSIDE KEYWAY CORNERS
(TO BE USED W/ 1/2" x 3 3/16" KEY)

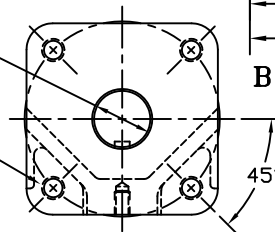
3/4-10 UNC TAP x 1.18 DEEP
(4) PLACES AS SHOWN ON
6.50 DIAMETER BOLT CIRCLE



SECTION C-C



NAMEPLATE SIDE



VIEW B-B

ISO (F16) MOUNTING PATTERN

MORIN® Birmingham, AL					
TITLE: MODEL B-420UC-D000 ACTUATOR					
DRAWN BY:	DATE:	CHECKER:	DATE:	APPROVAL:	DATE:
BDC	1/21/03				
SCALE:	REVISION:	DRAWING NO.:			
HALF	D	S25B526D			
SHEET	DWG. SIZE:				
1 of 1	D				

REV	CHANGE	BY	CHK	APR	DATE
D	UPDATED SECTION A-A & HOUSING COVER TO CANTED	CAW			08/03/09
C	UPDATED SECTION A-A & VIEW B-B	CAW			02/15/07
B	UPDATED VIEW A-A & VIEW B-B	CAW			07/11/06