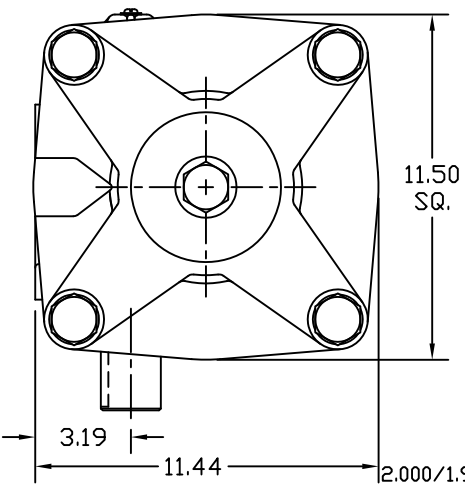


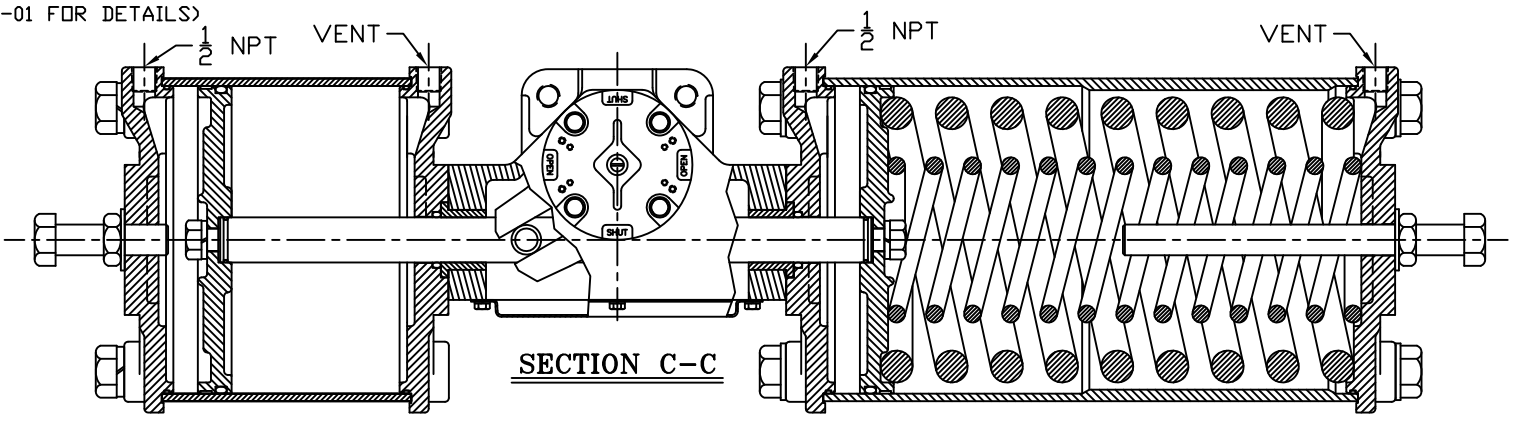
SECTION A-A

YOKE SHOWN AT MID-STROKE
POINTER OMITTED FOR CLARITY

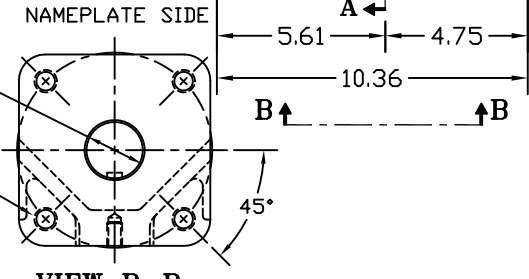
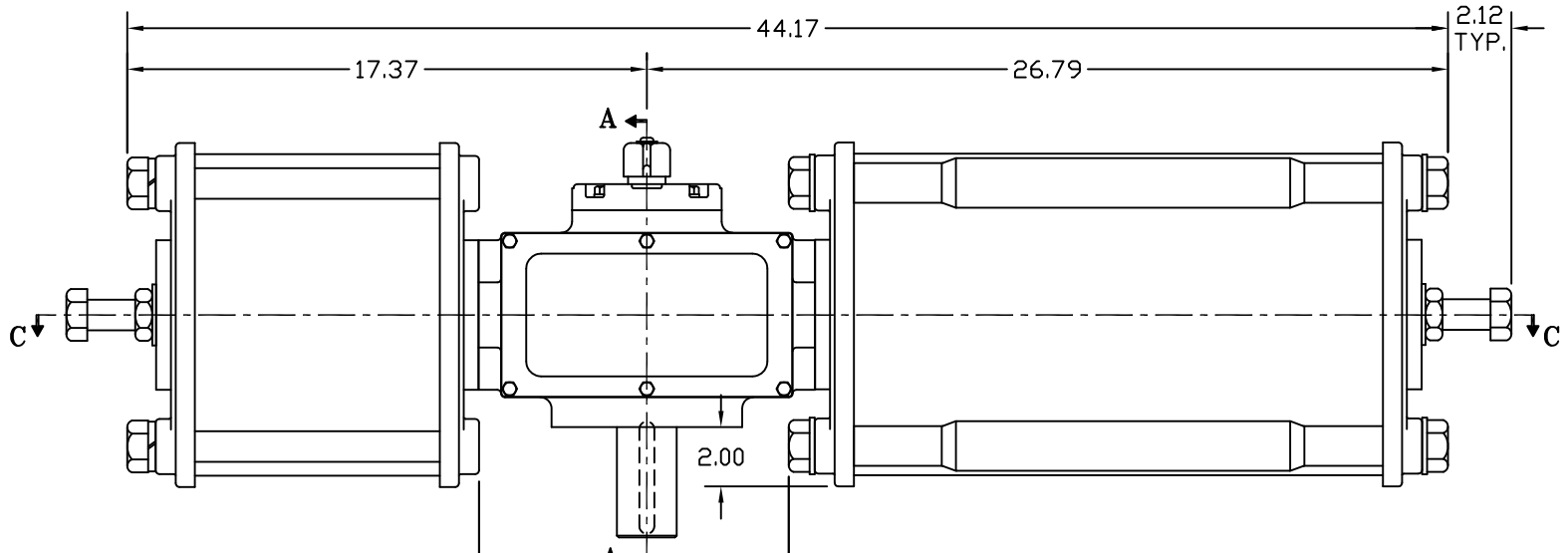


2.000/1.994 DIAMETER SHAFT
1/2 SQ. x 3.19 LONG KEYWAY
W/ .031 RADIUS INSIDE KEYWAY CORNERS
(TO BE USED W/ 1/2" X 3 3/16" KEY)

3/4-10 UNC TAP x 1.18 DEEP
(4) PLACES AS SHOWN ON
6.50 DIAMETER BOLT CIRCLE



SECTION C-C



VIEW B-B

ISO (F16) MOUNTING PATTERN

REV	CHANGE	BY	CHK	APR	DATE
E	UPDATED SECTION A-A & HOUSING COVER TO CANTED	CAW			08/13/09
D	UPDATED VIEW B-B & SECTION A-A	CAW			02/15/07
C	UPDATED VIEW B-B	CAW			07/26/06
B	UPDATED HOUSING, SECTION A-A, VIEW B-B	BDC			8/17/04

MORIN® Birmingham, AL					
TITLE: MODEL B-420UC-S000 ACTUATOR					
DRAWN BY:	DATE:	CHECKER:	DATE:	APPROVAL:	DATE:
BDC	2/17/03				
SCALE:	REVISION:	DRAWING NO.:			
HALF	E				
SHEET	DWG. SIZE:				
1 of 1	D	S25B052E			