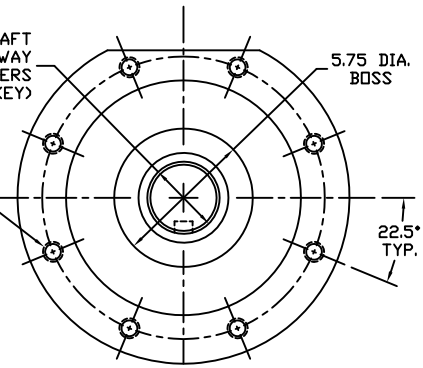


3.000/2.994 DIAMETER SHAFT
3/4 SQ. x 3.88 LONG KEYWAY
W/ .031 RADIUS INSIDE KEYWAY CORNERS
(TO BE USED W/ 3/4" x 3 13/16" KEY)

3/4-10 UNC TAP x 1.18 DEEP
(8) PLACES AS SHOWN ON
11.73 DIAMETER BOLT CIRCLE



View b-b
ISO F30 MOUNTING PATTERN

MORIN www.morinact.com		Morin Actuator 110 Commerce Drive Pelham, Alabama, U.S.A. 35124 (205) 662-9533	
MODEL B-575U-D000 ACTUATOR			
DRAWN BY:	DATE:	CHECKED:	DATE:
BDC	9/11/00		
SCALE:	REVISION:	DRAWING NO.:	
HALF	G	S30B502G	
SHEET	DWG. SIZE:		
1 of 1	E		

G	UPDATED VIEW B-B	CAW		04/22/03
F	UPDATED VIEW B-B & SECTION A-A	CAW		10/14/07
E	UPDATED VIEW B-B	CAW		07/11/06
D	UPDATED CYLINDER LENGTH TO CANTED	CAW		06/23/06
C	UPDATED VIEW B-B & SECTION A-A	BDC		1/28/05
REV	CHANGE	BY	CHK	APR DATE