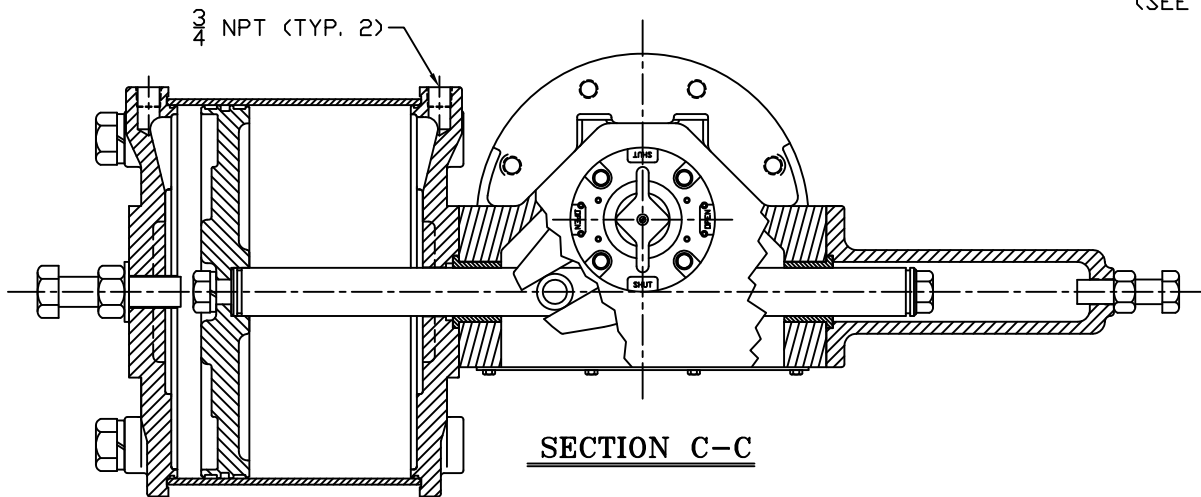
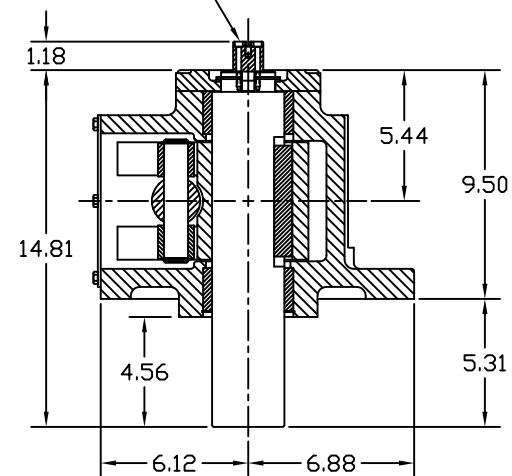


NAMUR POINTER ADAPTER  
(SEE DWG. S01-02-01 FOR DETAILS)

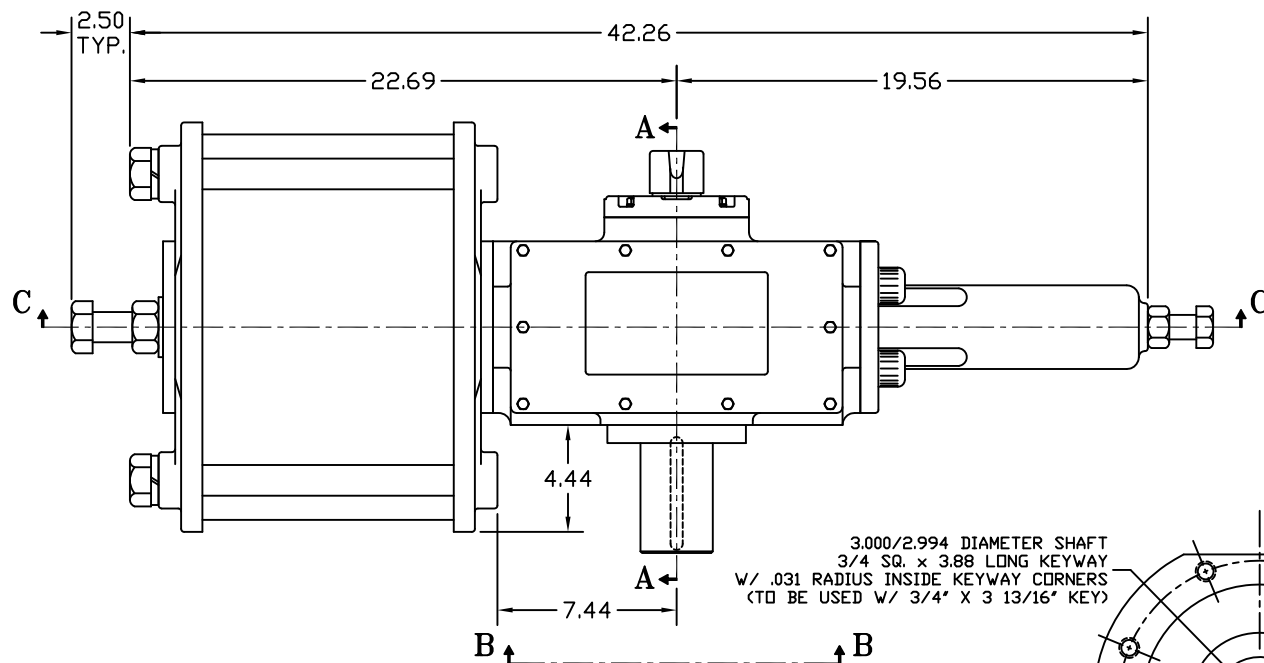


**SECTION C-C**



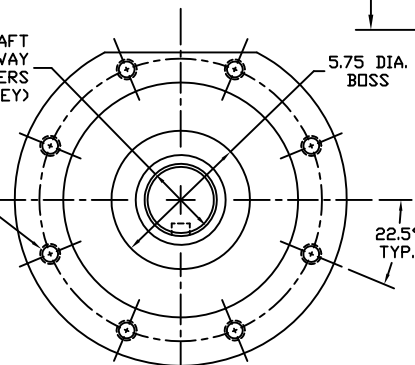
**SECTION A-A**

YOKE SHOWN AT MID-STROKE  
POINTER OMITTED FOR CLARITY



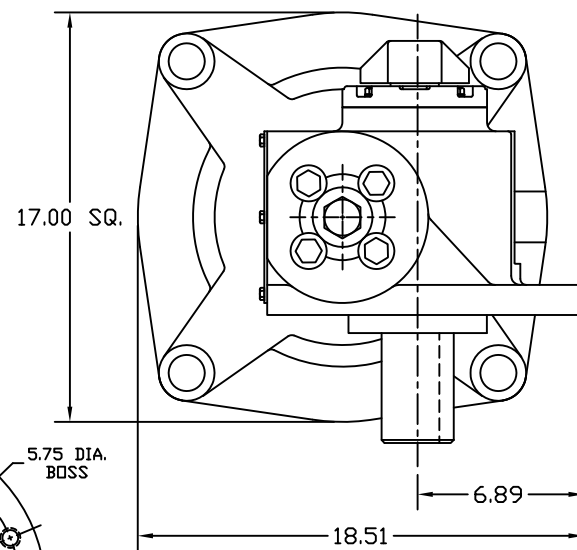
3.000/2.994 DIAMETER SHAFT  
3/4 SQ. x 3.88 LONG KEYWAY  
W/ .031 RADIUS INSIDE KEYWAY CORNERS  
(TO BE USED W/ 3/4" x 3 13/16" KEY)

3/4-10 UNC TAP x 1.18 DEEP  
(8) PLACES AS SHOWN ON  
11.73 DIAMETER BOLT CIRCLE



**View b-b**

ISO F30 MOUNTING PATTERN



REV	CHANGE	BY	CHK	APR	DATE
D	UPDATED VIEW B-B	CAW			04/22/13
C	UPDATED SECTION A-A & VIEW B-B	CAW			02/27/07
B	UPDATED VIEW A-A & VIEW B-B	CAW			07/11/06

<b>MORIN</b> Birmingham, AL					
TITLE: MODEL B-575UC-D000 ACTUATOR					
DRAWN BY:	DATE:	CHECKER:	DATE:	APPROVAL:	DATE:
BDC	1/22/03				
SCALE:	REVISION:	D	DRAWING NO.:		
HALF	DWG. SIZE:	E	S30B516D		
SHEET	1 of 1				