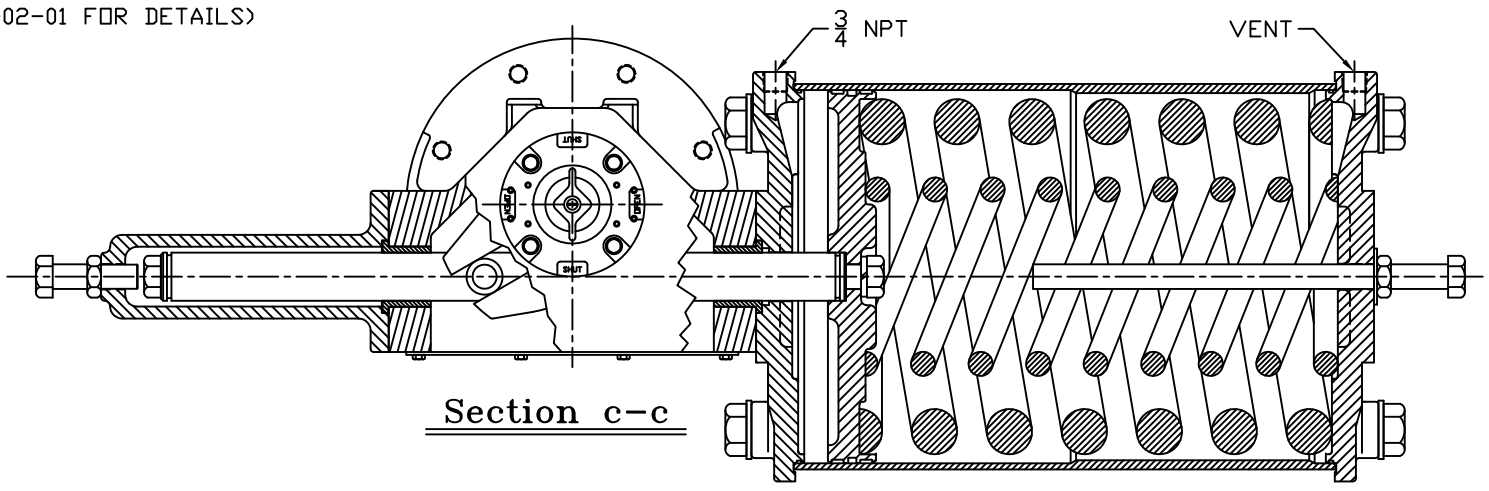
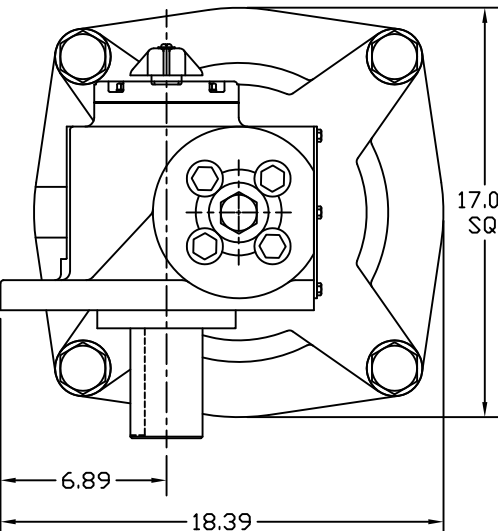
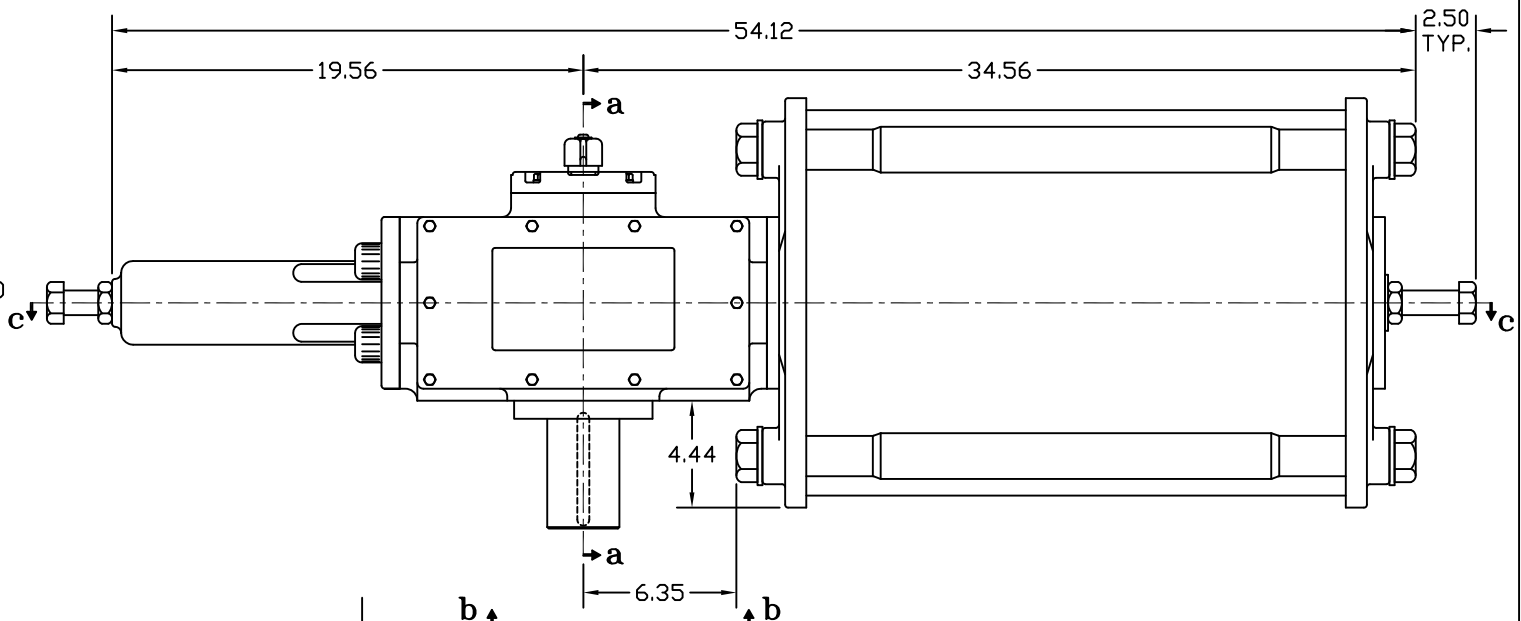


Section a-a

YOKE SHOWN AT MID-STROKE
POINTER OMITTED FOR CLARITY

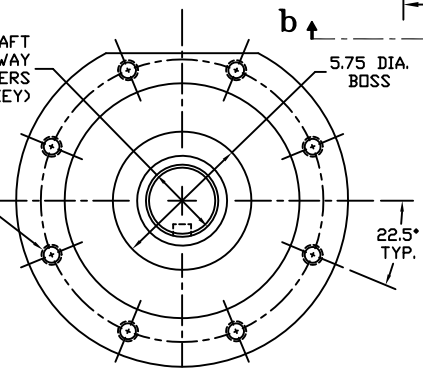


Section c-c



3.000/2.994 DIAMETER SHAFT
3/4 SQ. x 3.88 LONG KEYWAY
W/ .031 RADIUS INSIDE KEYWAY CORNERS
(TO BE USED W/ 3/4" X 3 13/16" KEY)

3/4-10 UNC TAP x 1.18 DEEP
(8) PLACES AS SHOWN ON
11.73 DIAMETER BOLT CIRCLE



View b-b

ISO F30 MOUNTING PATTERN

MORIN®		Morph Actuator 110 Commerce Drive Pelham, Alabama, U.S.A. 35124 (205) 662-9533	
MODEL B-575UC-S000 ACTUATOR			
DRAWN BY:	DATE:	CHECKED:	DATE:
BDC	2/5/03		
SCALE:	REVISION:	E	DRAWING NO.:
HALF			S30B036E
SHEET	DWG. SIZE:	E	
1 of 1			

E	UPDATED VIEW B-B	CAW		10/20/13
D	UPDATED VIEW B-B & SECTION A-A	CAW		12/15/17
C	UPDATED VIEW B-B	CAW		07/10/16
B	UPDATED VIEW B-B & SECTION A-A	BDC		1/24/15
REV	CHANGE	BY	CHK	APR DATE