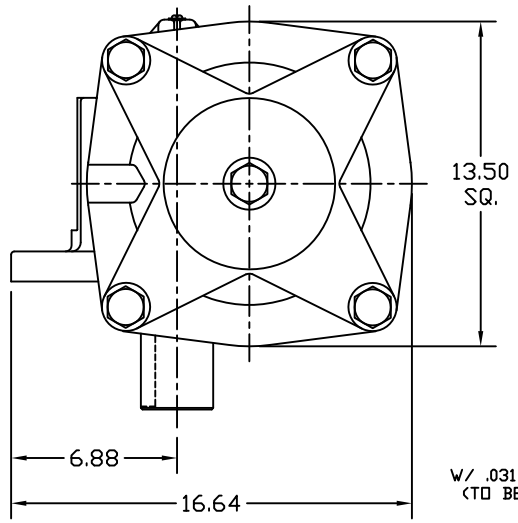
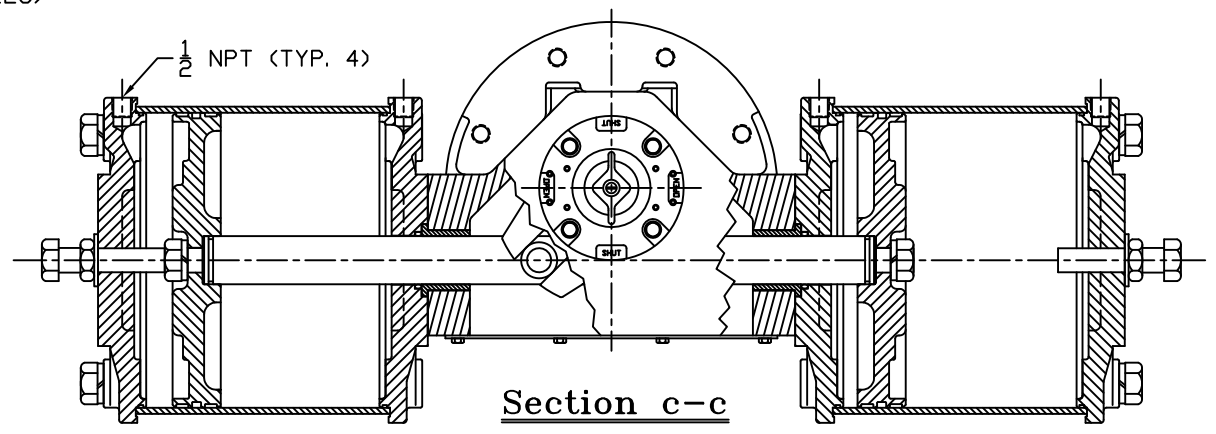


**Section a-a**

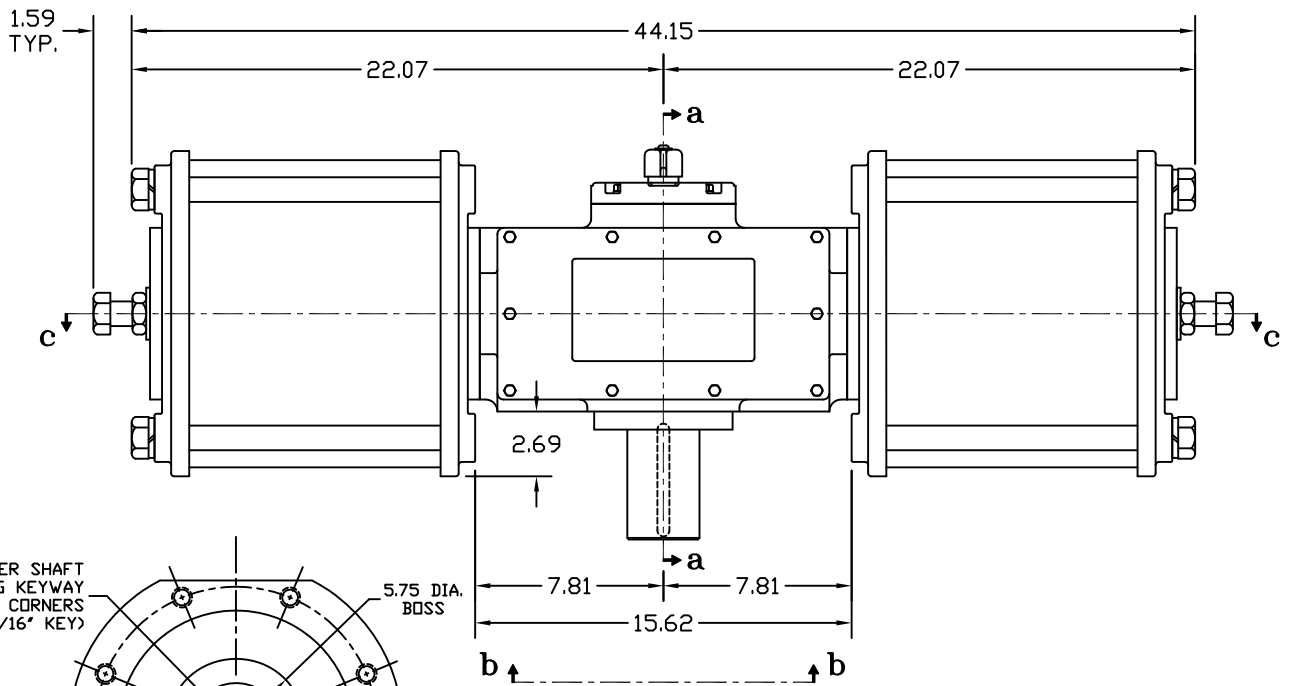
YOKE SHOWN AT MID-STROKE  
POINTER OMITTED FOR CLARITY



NAMUR POINTER ADAPTER  
(SEE DWG. S01-02-01 FOR DETAILS)

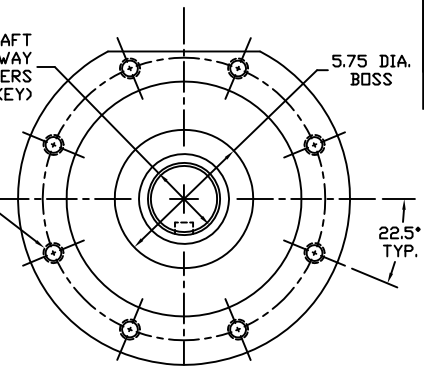


**Section c-c**



3.000/2.994 DIAMETER SHAFT  
3/4 SQ. x 3.88 LONG KEYWAY  
W/ .031 RADIUS INSIDE KEYWAY CORNERS  
(TO BE USED W/ 3/4" x 3 13/16" KEY)

3/4-10 UNC TAP x 1.18 DEEP  
(8) PLACES AS SHOWN ON  
11.73 DIAMETER BOLT CIRCLE



**View b-b**

ISO F30 MOUNTING PATTERN

<b>MORIN</b>		MORIN Actuator 110 Commerce Drive Pelham, Alabama, U.S.A. 35124 (205) 663-9533	
<b>MODEL B-740U-D000 ACTUATOR</b>			
DRAWN BY:	DATE:	CHECKED:	DATE:
BDC	1/10/01		
SCALE:	REVISION:	DRAWING NO.:	
HALF	F		
SHEET	DWG. SIZE:		
1 of 1	E	S30B503F	

F	UPDATED VIEW B-B	CAW		11/22/03
E	UPDATED VIEW B-B & SECTION A-A	CAW		12/14/07
D	UPDATED VIEW B-B	CAW		07/11/06
C	UPDATED CYLINDER LENGTH TO CANTED	CAW		16/21/06
B	UPDATED VIEW B-B & SECTION A-A	BDC		1/28/05
REV	CHANGE	BY	CHK	APR DATE